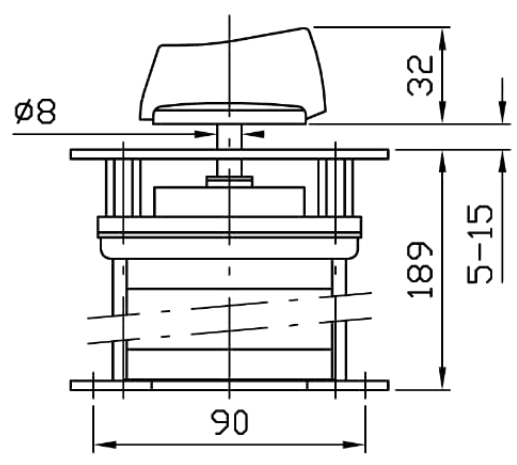
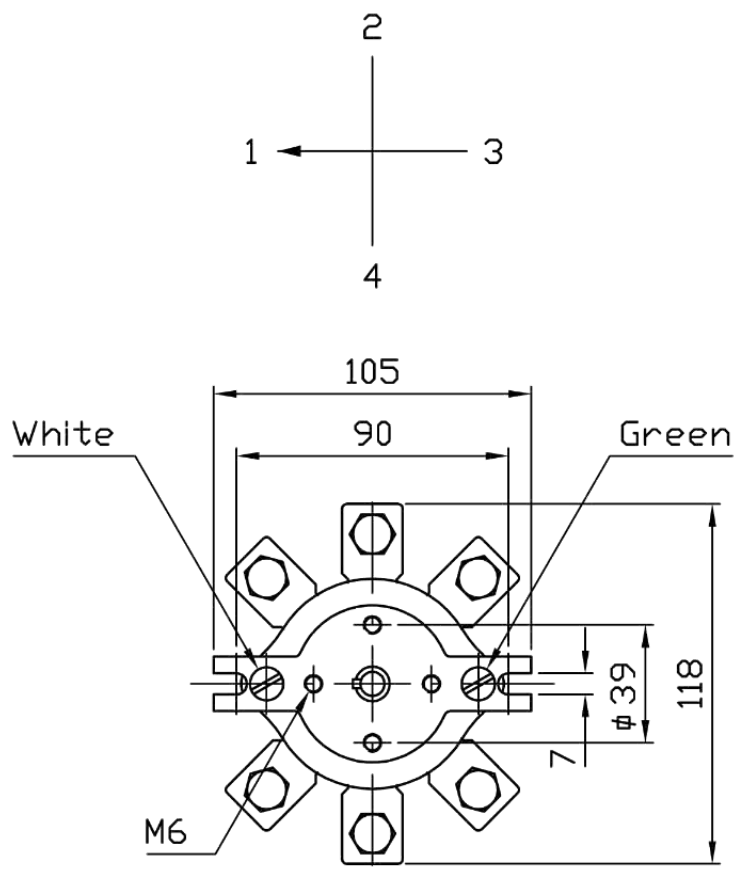


Copyright © Copying of this document, third party distribution or use for manufacturing is strictly forbidden without written permission. All rights and know-how contained herein are explicitly reserved by Santon Switchgear Ltd.

1	OFF
2	1-A
	2-B
3	OFF
4	1-A
	2-B

Ith	Ie	Ue
100A		
	100A	1000V DC21



B				
A				
Rev.			Drn by	Date
				App. by

SANTON TYPENR. C 10H215/50A01001

Drn by : C.Z.	Date : 09-07-2010	App. by :
---------------	-------------------	-----------

	<b>JD Auspice Co.,Ltd.</b> TEL: 886-2-2595-9780 FAX: 886-2-2595-9412 service@jdauspice.com www.jdauspice.com	Computer nr. <b>50A01001</b>
--	--	---------------------------------