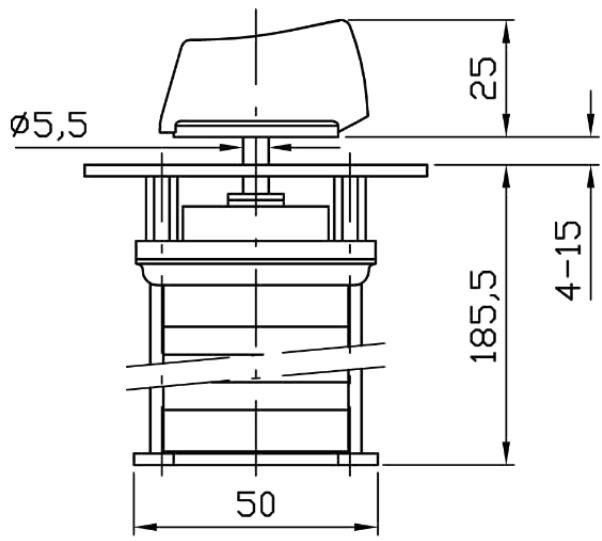
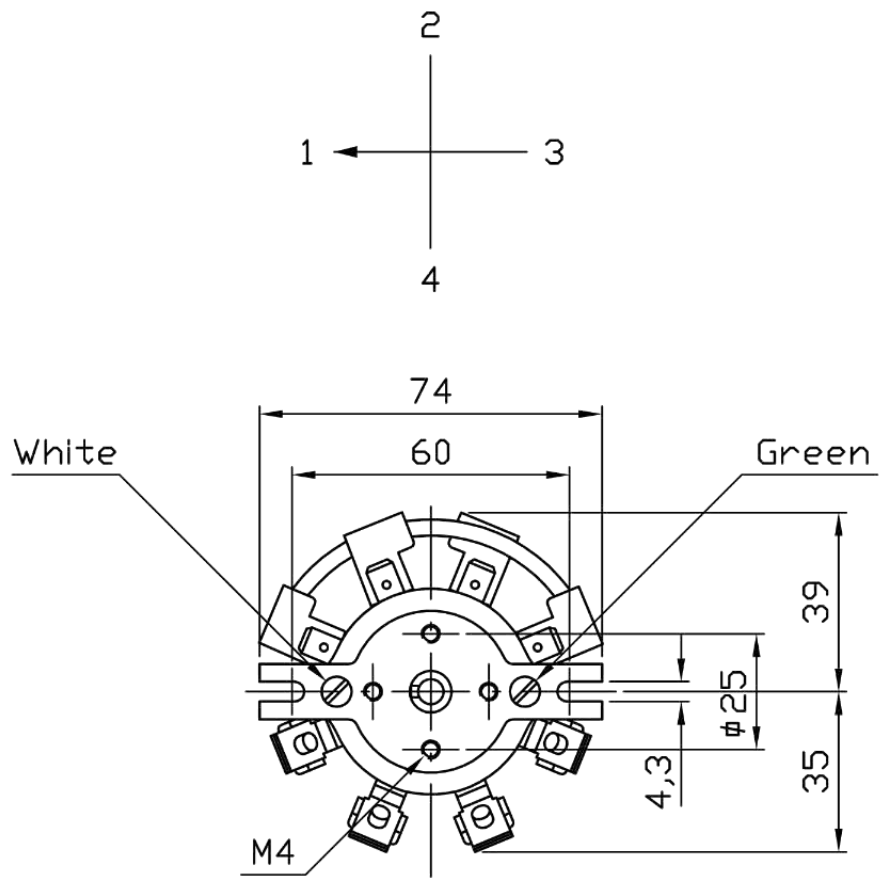


POSITION OF HANDLE

1	OFF
2	1-A
	2-B
	3-C
	4-D
	5-E
	6-F
3	OFF
4	1-A
	2-B
	3-C
	4-D
	5-E
	6-F

Ith	Ie	Ue
25A		
	25A	1000V DC21



B			
A			
Rev.		Drn by	Date

SANTON TYPENR. RP 1H625/50A0512

Drn by : C.Z.-	Date : 18-07-2006	App. by :
----------------	-------------------	-----------

	JD Auspice Co.,Ltd. TEL: 886-2-2595-9780 FAX: 886-2-2595-9412 service@jdauspice.com www.jdauspice.com	Computer nr. 50A0512
--	---	--------------------------------