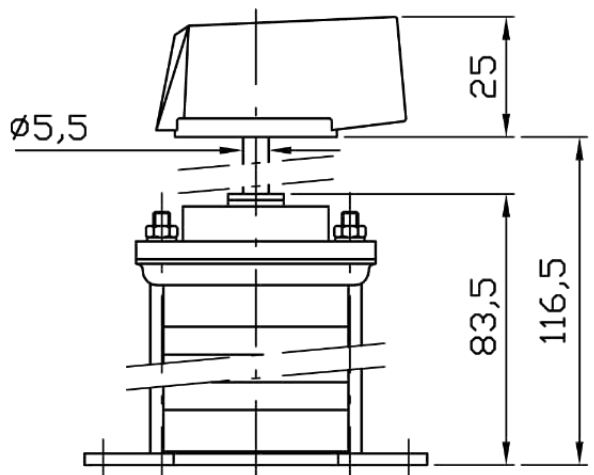
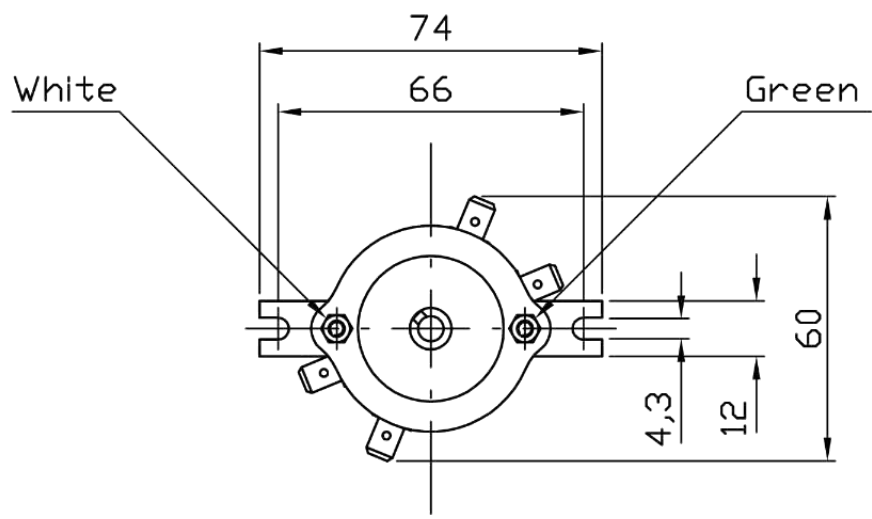
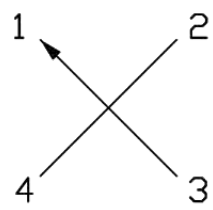


POSITION OF HANDLE

1	OFF
2	1-A
	2-B
	3-C
	4-D
3	OFF
4	1-A
	2-B
	3-C
	4-D



Ith	Ie	Ue
25A		
	25A	600V DC21

B			
A			
Rev.		Drn by	Date
			App. by

SANTON TYPENR. BC 1H410/50A0995

Drn by C.Z.	Date : 27-04-2010	App. by :
-------------	-------------------	-----------

	JD Auspice Co.,Ltd. TEL: 886-2-2595-9780 FAX: 886-2-2595-9412 service@jdauspice.com www.jdauspice.com	Computer nr. 50A0995
--	--	-----------------------------