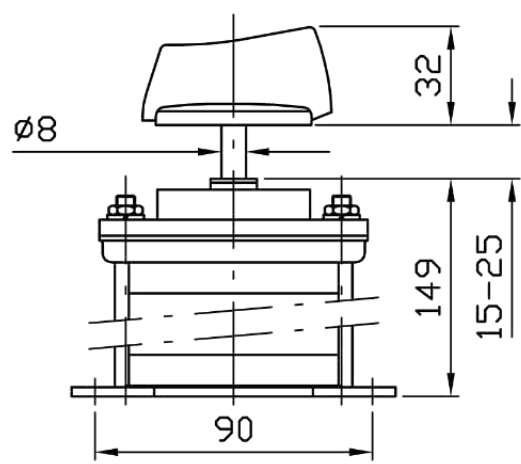
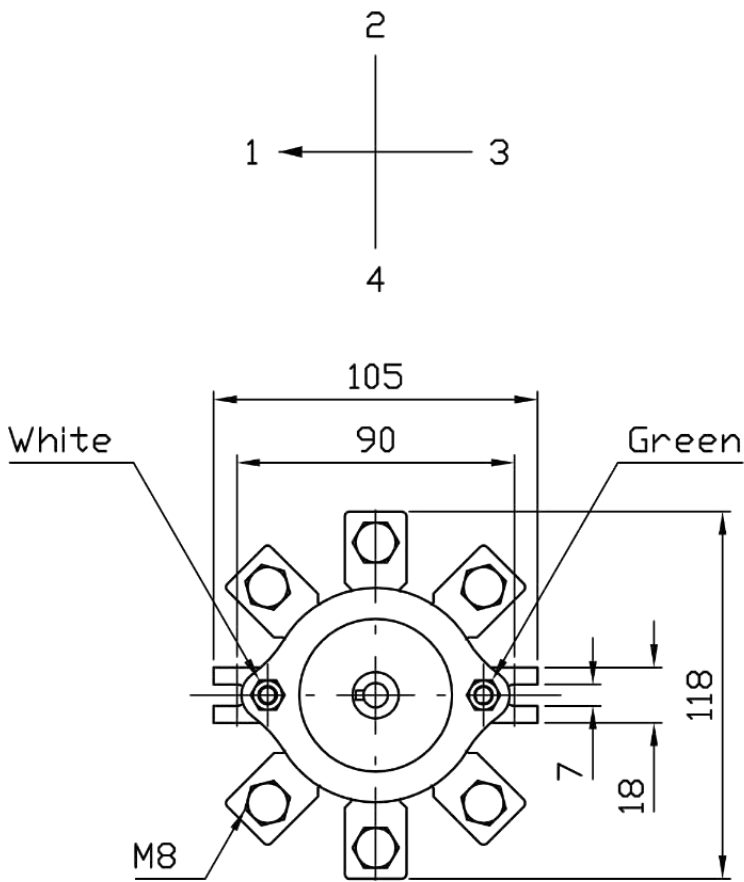


POSITION OF HANDLE

1	OFF
2	1-A
	2-B
3	OFF
4	1-A
	2-B

Ith	Ie	Ue
200A	200A	600V DC21



B			
A			
Rev.		Drn by	Date

SANTON TYPENR. BC 20H212/50A0996

Drn by : C.Z.	Date : 29-04-2010	App. by :
---------------	-------------------	-----------

	JD Auspice Co.,Ltd. TEL: 886-2-2595-9780 FAX: 886-2-2595-9412 service@jdauspice.com www.jdauspice.com	Computer nr. <b>50A0996</b>
--	-------------------------------------------------------------------------------------------------------------	--------------------------------