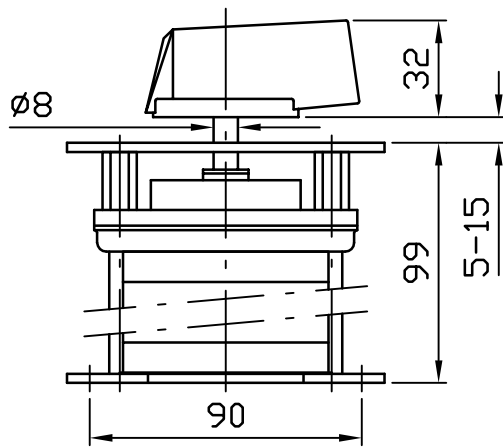
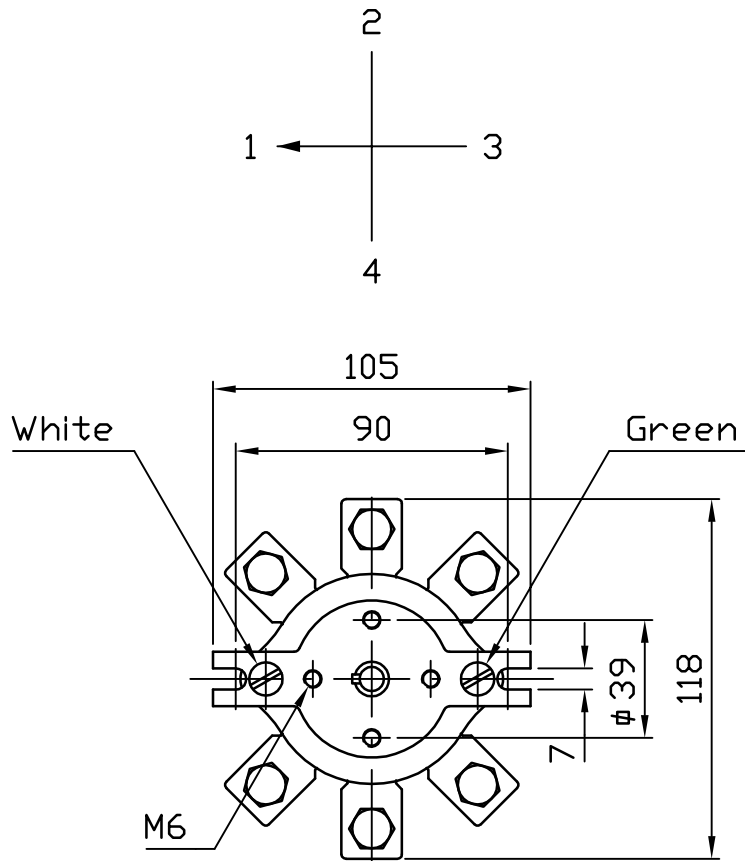


1		OFF
2		1-A
		2-B
3		OFF
4		1-A
		2-B

Ith	Ie	Ue
125A		
	125A	400V DC21

TO BE TESTED



B				
A				
Rev.			Drn by	Date
				App. by

SANTON TYPENR. C 10H26/50A01009

Drn by : C.Z.	Date : 04-01-2011	App. by :
		Computer nr. 50A01009
Santon International b.v. Tel. +31 (0)10 283 26 00 Hekendorpstraat 69 Fax +31 (0)10 429 45 46 3079 DX Rotterdam info@santon.nl Holland www.santonswitchgear.com		