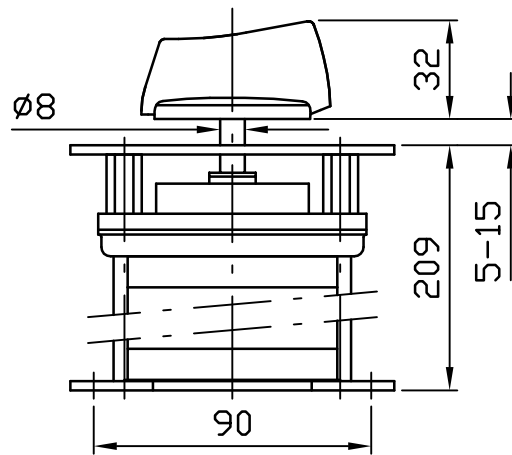
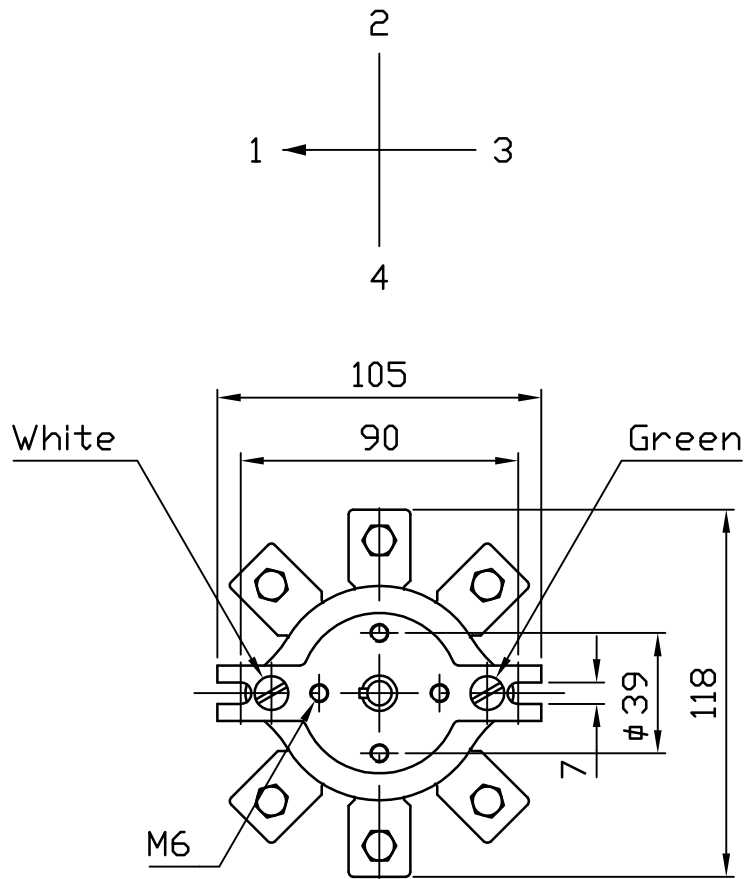


POSITION OF HANDLE

1	OFF
2	1-A
	2-B
3	OFF
4	1-A
	2-B



Ith	Ie	Ue
63A		
	63A	800V DC21

TO BE TESTED

B			
A			
Rev.		Drn by	Date
			App. by

SANTON TYPENR. C 6H617/50A01010

Drn by : C.Z.	Date : 04-01-2011	App. by :
	Santon International bv Hekendorpstraat 69 3079 DX Rotterdam Holland Tel. +31 (0)10 283 26 00 Fax +31 (0)10 429 45 46 info@santon.nl www.santonswitchgear.com	Computer nr. <b>50A01010</b>