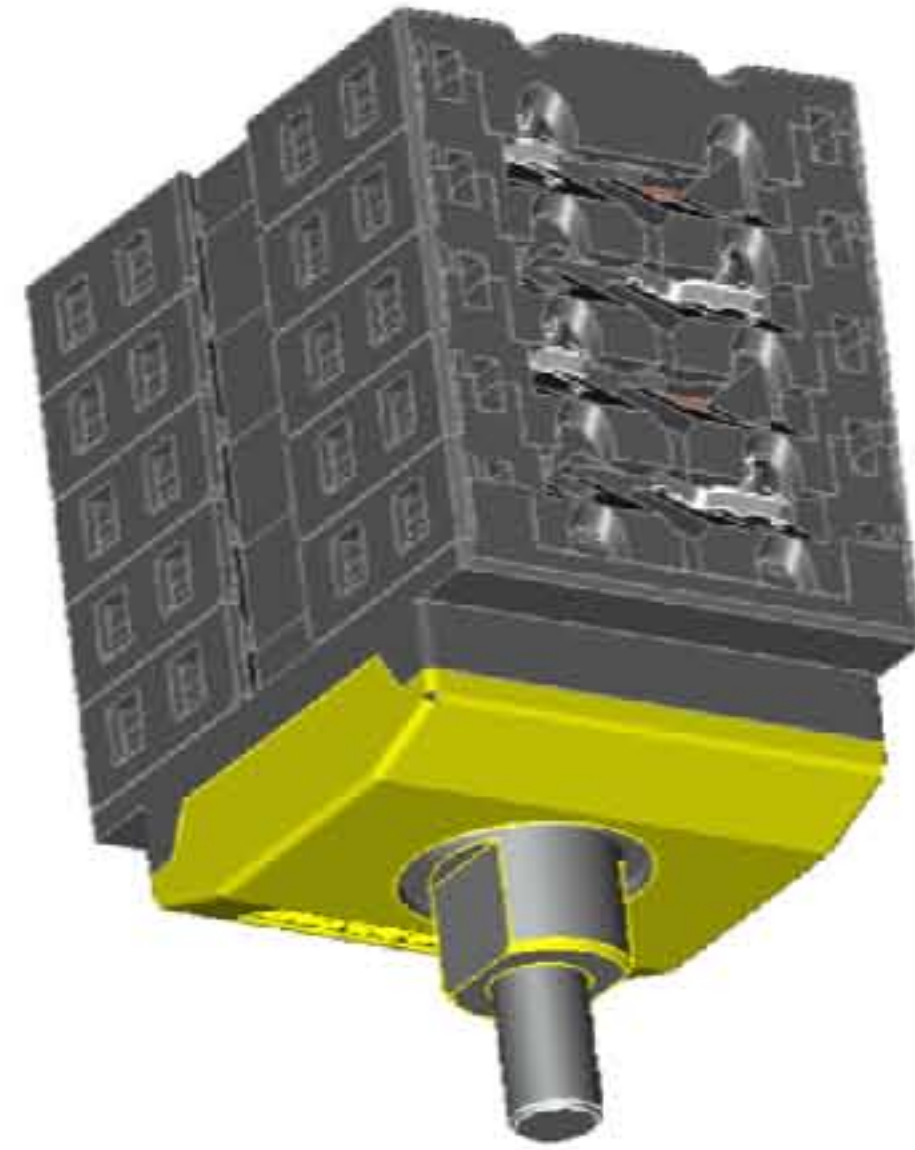
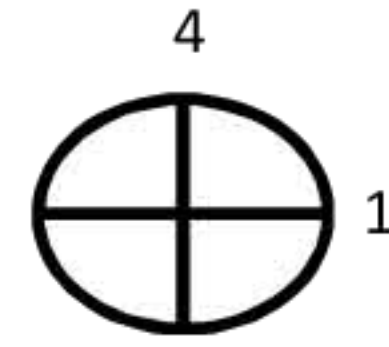


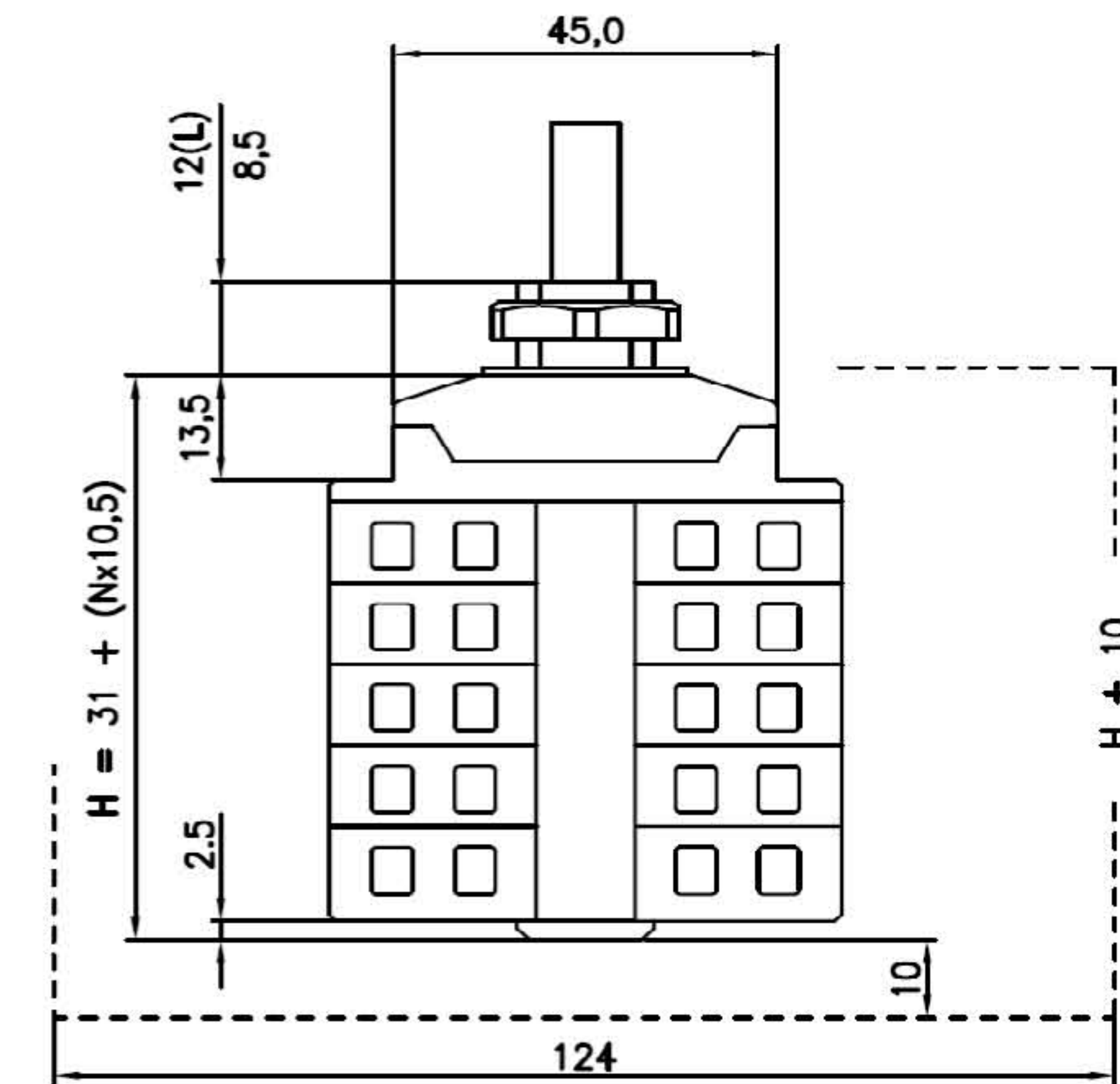
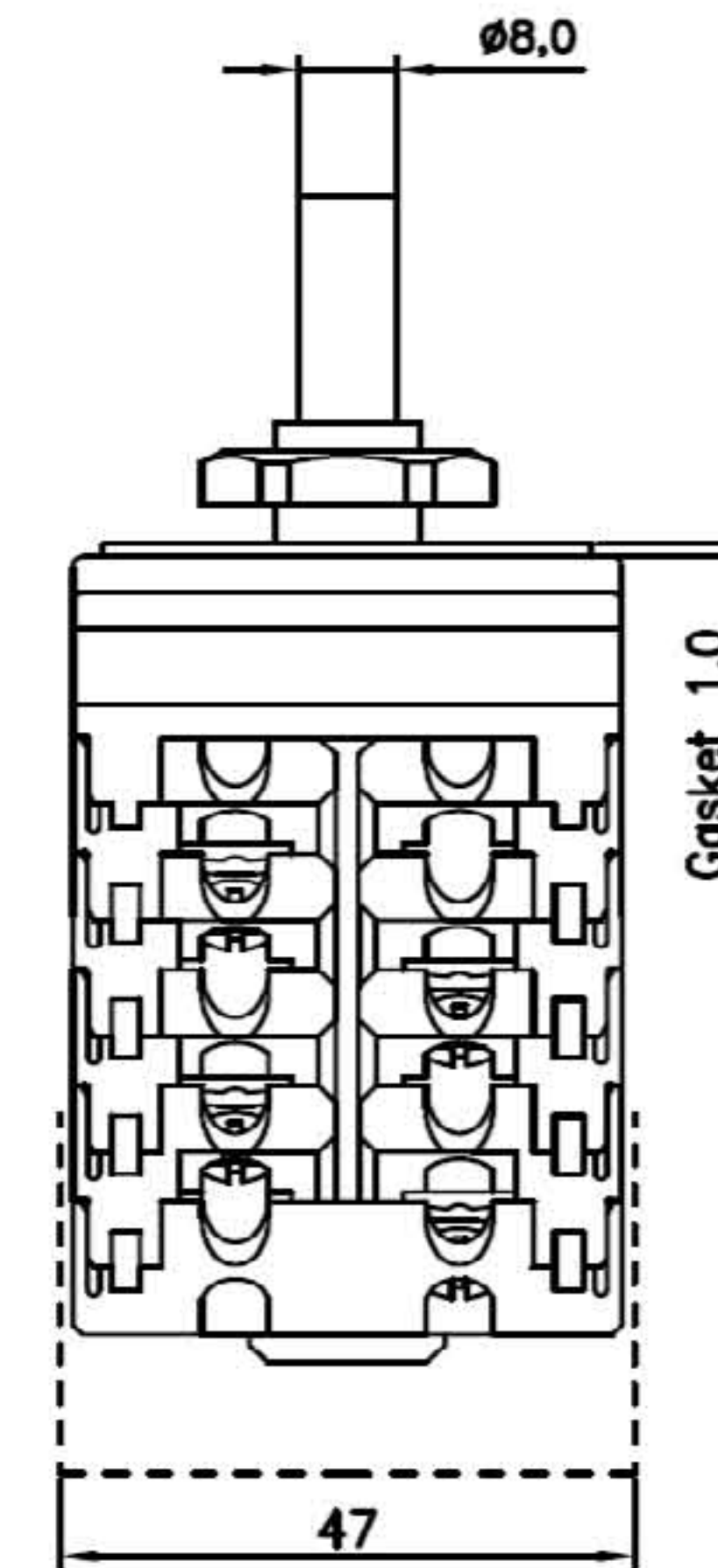
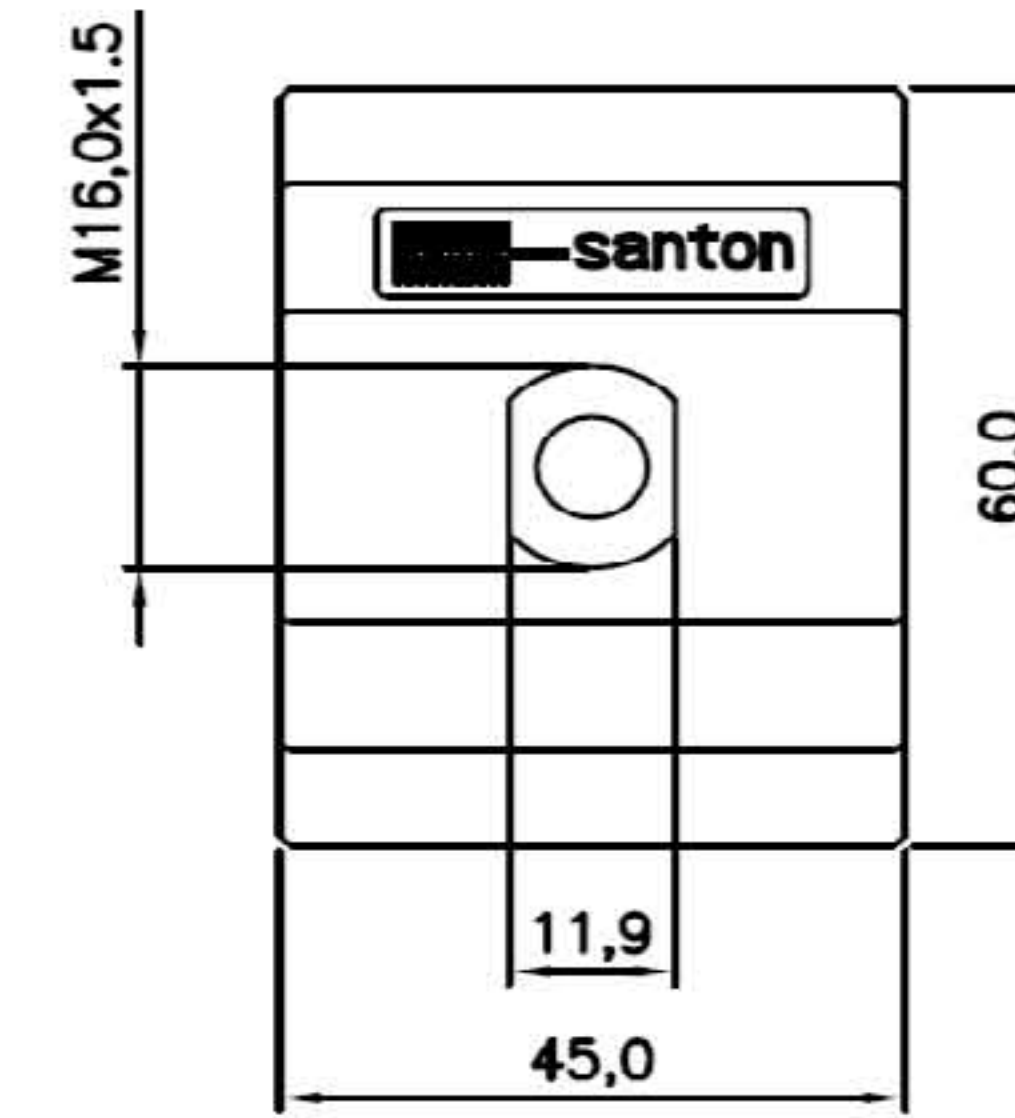
Suitable as photovoltaic disconnect switch in accordance with Article 690 of NFPA 70 (NEC) UL 508, including the requirements for PV application
 Certified according to cCSAus (CSA22.2 No. 0, CSA22.2 No.14 and UL508)



Terminals Scheme							
Layer No.	Front Side		Symbol	Rear Side		On Positions	
	Left	Right		Left	Right	1	2 3 4
5	D			C		X	
4		B			A	X	
3			empty				
2				1		X	
1				1		X	

Contacts are made in "X" marked position.
 Symbols for interconnection: [

Technical data	Symbol	Unit	Value
nominal voltage (DC poles)	U	V dc	600
nominal current (DC poles)	I	A dc	32
method of mounting			reverse single hole mounting IP65 [R] terminals access from bottom side
number of poles, DC single pole switching			1
utilization category DC			Photovoltaic disconnect switch
actuator			standard black [A]
method of operation			independent manual operation
positions			OFF at 12 hr, ON at 3 hr [E]
rated impulse withstand voltage	Uimp	kV	8
insulation voltage	Ui	V	600
rated thermal current uninterrupted duty	Iu	A	32
rated short-time withstand current (1s)	Icw	A	750
suitable for use on a circuit capable of delivery not more than 5.000 rms symmetrical Amperes, 600 Vdc max, when protected by fuses			
rated conditional short-circuit current		kA	5
max power dissipation		W	6
minimum required dimensions of enclosures L x W x H*		mm	124 x 47 x 74
* see the drawing for the height of the switch. The number of layers N is:			4
tightening torque terminal screws M4 , min. - max.		Nm	1,5 - 1,7
		Lb.In	13 - 15
tightening torque M3 screw in the standard black knob, min. - max.		Nm	0,5 - 0,7
		Lb.In	5 - 6
tightening torque for the nut on the single hole mounting knob, min. - max.		Nm	1,8 - 2,0
		Lb.In	16 - 18
wire size, "Use 75°C Copper Wire Only", minimum required fine wire cross-section:		mm2	6
		AWG	10
ambient temperature allowed between		°C	- 20 to + 70 °C
storage temperature allowed between		°C	- 40 to + 80 °C
maximum relative humidity, without condensation at 20 °C		%	90
nominal voltage (AC poles)	U	V ac	250
nominal current (AC poles)	I	A ac	25
number of AC poles			2
auxiliary contact, nominal current 16A at 300V			0 No auxiliary contact
weight		g	221
accessories:			-



Mounting instructions

In the application all ratings have to be respected. The switch is designed for Use on a Flat Surface of a Type 1 Enclosure or equivalent. The minimum dimensions of the enclosure must be respected according to the applicable standards. The position of the handle of the switch shall be marked with a Position Indication plate or direct on the surface of the enclosure to guide proper indication. The "On" and "Off" position may be marked using the symbols "I" and "O" according IEC 417 Symbols 5007 and 5008. The terminals, without interconnection can take copper wires up to 6 mm². The recommended Spade Tongue Terminals may have a maximum width of 9 mm. For CSA and UL applications, registered Spade Tongue Terminals must be used. The registration numbers are UL: E13288 and CSA: LR7189 (for instance type 165015 from Tyco). After mounting, the wiring must be checked and the switch must operate smoothly.

Maintenance

The X type switches are designed for a very long life but it is advised to do some simple yearly maintenance.
 - Check the installation for signs of overload or overheating. The terminals may not exceed the limit of 85°C under full load.
 - By operating the switch a few times (5x) the contacts will clean themselves and the switch will have a longer life.

