

Product Data Sheet

Datex Intrinsically Safe Data Terminal



Model No AGE-DAT0-008

OVERVIEW

The Datex intrinsically safe keyboard has been designed to meet a wide range of requirements for full function keyboards in hazardous areas. The unit can be supplied as a stand alone system or as components for the OEM to incorporate into his own equipment.

OPTIONAL EXTRAS

Force sensitive mouse button
 LCD display 4 x 40 characters 5mm high, 4 x 20 characters 9.8mm high
 Panel mount for the OEM

APPLICATIONS

Data input in hazardous areas
 Process control
 Batch control
 Packaging
 Maintenance schedules and reporting
 Experimental data recording

Dimensions	H	W	D	CUT OUT
Desk Mount	62	400	245	
Panel Mount	195	405	26	361 x 150
Panel Mount & Mouse	195	490	26	446 x 150
Power Supply, PDU	45	162	108	



Model No AGE-DAT0-006

FEATURES

- + Full function compact QWERTY 96 key.
- + Sealed membrane construction for harsh environments.
- + 316L stainless steel housing (IP65).
- + **INTRINSICALLY SAFE**, galvanically isolated - does not need IS earth.
- + Multiple protocols - PC/AT, RS232.
- + Twin twisted pair connection over distances up to 400m.

Desk Mount Model

Model No	Description
AGE-DAT0-001	KEYBOARD ONLY
AGE-DAT0-004	KEYBOARD & MOUSE BUTTON
AGE-DAT0-008	KEYBOARD & DISPLAY
AGE-DAT0-010	KEYBOARD & DISPLAY & MOUSE BUTTON

Panel Mount Model

Model No	Description
AGE-DAT0-006	KEYBOARD ONLY
AGE-DAT0-012	KEYBOARD & MOUSE BUTTON



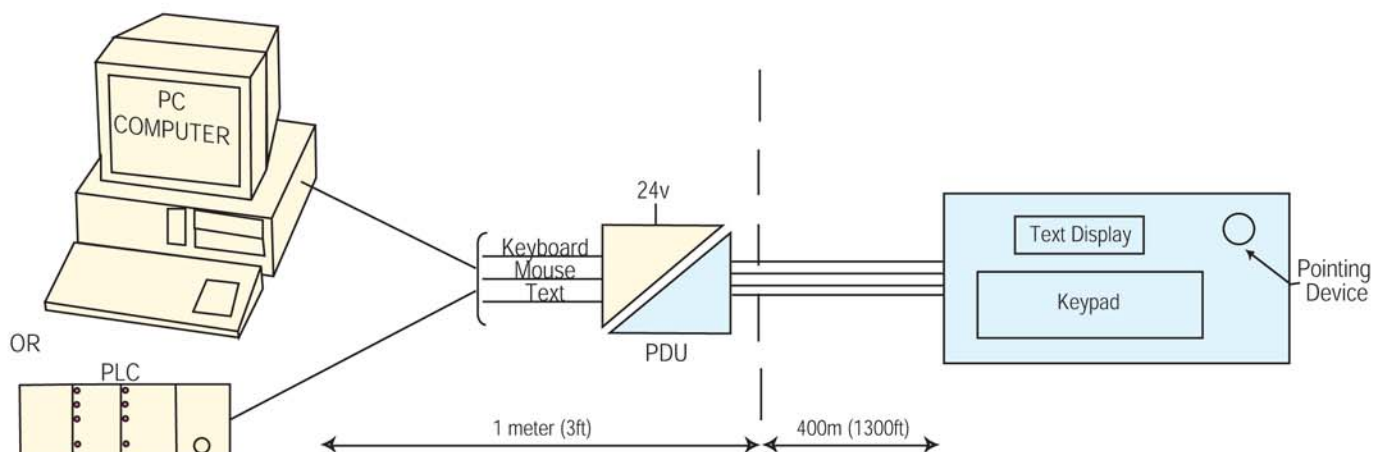
Model No AGE-DAT0-019
 (AGE-DAT0-004 ADAPTED TO FOLD AWAY TRAY)



Technical Specification Datex Intrinsically Safe Data Terminals

SAFE AREA

The safe area interface unit (PDU) is a single card, which provides an intrinsically safe interface for power and data to the hazardous area. It handles the communication with the host computer.



TECHNICAL DESCRIPTION

The Datex intrinsically safe data terminal system provides a means to input data in a hazardous area and gives the operator feedback from the host computer via a text display. The system can interface with various types of computer in the safe area and provide a range of devices in the hazardous area.

HAZARDOUS AREA

The field data terminal is intrinsically safe and may be located and operated in a hazardous area. It can combine keyboard, pointing device or text display functions to suit a variety of applications. It receives the power and data from the safe area via the PDU.

CE 0518 Ex II (2) G

Certificates [EEx ia] IIC T4 EN 50020
SIRA01ATEX2088

Power supply 24Vdc 300mA
Galvanic isolation
No IS earth needed

Dimensions
In housing 162 x 108 x 45mm (IP40)
Card alone 160 x 100 x 32mm

Data format
Keyboard
IBM PC/AT and PS/2 format or RS232 output
ASCII Codes 1200, 2400, 4800 or 9600 baud
(switch selectable)
8 bit, no parity

Pointing device
Microsoft® mouse format RS232

Display data
RS232 input of ASCII codes, 1200, 2400,
4800 or 9600 baud, 8 bits, no parity.

Electromagnetic compatibility
When the units are supplied in an enclosure and connected in accordance with operating instructions, the system conforms with EN 50081-1 and EN 50082-1

CE 0518 Ex II (2) G

Certificates [EEx ia] IIC EN 50020
SIRA01ATEX2089

Power supply From PDU

Dimensions See tabulation

Connection to safe area
Power + data (2 x twisted pair),
screened cable
Maximum cable resistance 15 ohm per pair
Maximum cable capacitance 620nF
Typical maximum distance 400 m

Keypad
96 key fully sealed tactile membrane keypad. US English
QWERTY layout

Force sensitive mouse button
IP65 sealed force sensitive mouse button with left and right
mouse buttons. Cursor speed is proportional to and in the
direction of the force applied.

Text display (optional)
4 line x 40 character per line LCD text display. Character height
is 5mm (3/16") or large character 9.8mm (3/8") 4 x 20 display.
Supertwist LCD technology for maximum viewing angle.

Datex is available in a variety of enclosures to accommodate the options required for the application.