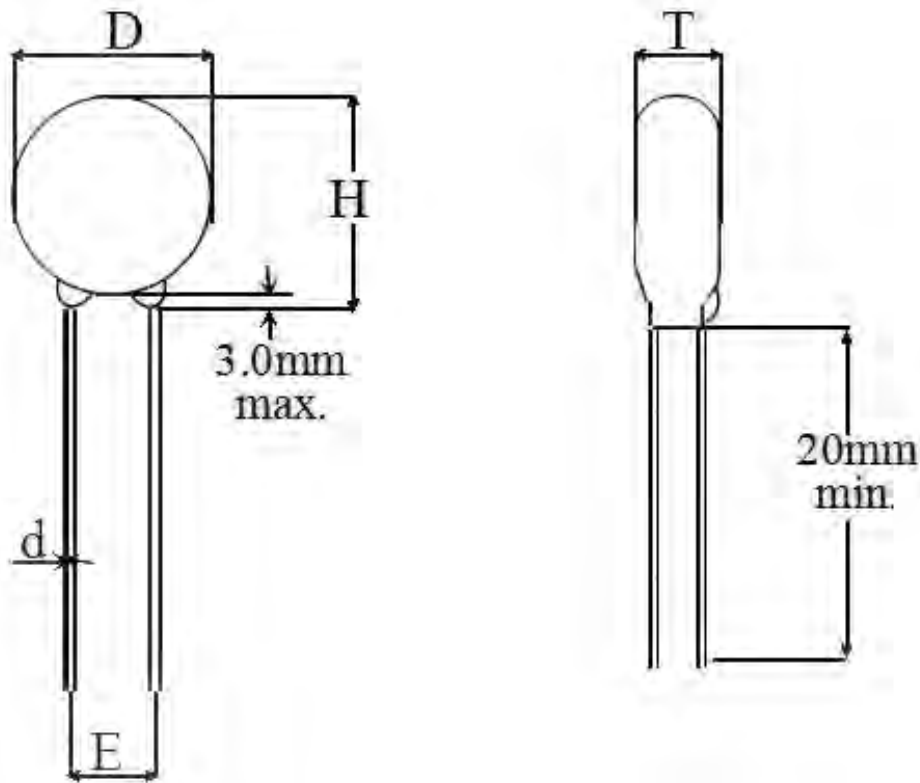


## 25JD142K Specification

### Physical Specification ( Dimension : )



### Electrical / Thermal Specification

Maximum Allowable AC Voltage (最大交流工作電壓)	880V	
Maximum Allowable DC Voltage (最大直流工作電壓)	1140V	
Varistor Voltage (壓敏電壓)	1260-1540V	V0.1mA □ V1mA ■
Maximum DC Leakage Curren (漏電流)	20μA	At 80% of Varistor Voltage
NONLINEAR EXPONENT (α)(非線性係數)	≥ 21	
Maximum Clamp Voltage / Test Current (等級限制電壓)	2400V/50A	Test Current Waveform 8/20 μs
WITHSTANDING SURGE CURRENT (標稱/最大放電電流)	In: 10KA	Test Current Waveform 8/20 μs
	I <sub>max</sub> : 20KA	Test Current Waveform 8/20 μs
Maximum Energy (最大能量)	850J	Test Current Waveform 10/1000 μs
RATED WATTAGE (額定功耗)	1.40W	@Maximum Allowable AC/DC Voltage
Operation Temperature Ranger (工作溫度範圍)	- 40~+85 °C	
Storage Temperature Ranger (儲存溫度範圍)	- 40~+125 °C	
Typical Capacitor (電容值)	500pF/1KHz	