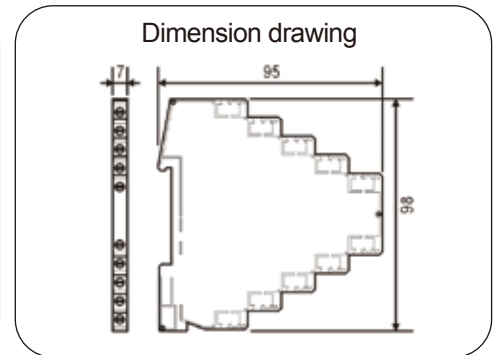
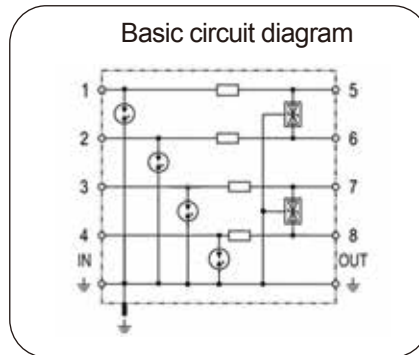


DN-xxx-MB/G4



JDA DN-xxx-MB/G4 MODBUS RS485 Data network arrester provide protection for four single lines or two-pair lines in the high-frequency bus systems or video transmissions, suitable for use in category location B, C (ANSI/IEEE C62.41) or directly at the upstream near the protected devices.

- ⊙ Data network protector in according with UL497b, IEC61643-21:2012;
- ⊙ Compact size of 7 mm to save much installation space
- ⊙ 35mm Din-rail mounting design;
- ⊙ Limit the transients with gas discharge tubes and transzorb diodes;
- ⊙ Two-stage protection circuit.
- ⊙ 4-lines or two-pair lines protection

Model No		DN-05-MB/ G4	DN-12-MB/ G4	DN-24-MB/ G4	DN-32- MB/G4	DN-48-MB/ G4	DN-110- MB/G4
Nominal voltage	U_N	5V	12V	24V	32V	48V	110V
Rated voltage (max. continuous d.c.voltage)	U_C	6V	15V	33V	36V	54V	170V
Rated voltage (max. continuous a.c.voltage)	U_C	4.2V	10.6V	23.3V	29V	38V	120V
Nominal current	I_L	0.7A	0.7A	0.5A	0.7A	0.7A	0.7A
Lightning impulse current (10/350) per line	I_{imp}	0.5kA	0.5kA	0.5kA	0.5kA	0.5kA	0.5kA
Nominal discharge current (8/20) per line	I_n	5kA	5kA	5kA	5kA	5kA	5kA
Nominal discharge current (8/20) Total	I_n	10KA	10KA	10KA	10KA	10KA	10KA
Voltage protection level for I_{imp} line-line	U_P	≤ 26V	≤ 40V	≤ 55V	≤ 75V	≤ 100V	≤ 400V
Voltage protection level for I_{imp} line-PG	U_P	≤ 26V	≤ 40V	≤ 55V	≤ 75V	≤ 100V	≤ 400V
Voltage protection level at 1kV/μs line-line	U_P	≤ 11V	≤ 25V	≤ 48V	≤ 65V	≤ 75V	≤ 350V
Voltage protection level at 1kV/μs line-PG	U_P	≤ 11V	≤ 25V	≤ 48V	≤ 65V	≤ 75V	≤ 350V
Transmission frequency line -PG	f_G	100MHz					
Series impedance per line	R	1Ω					
Capacitance line -line	C	≤ 20pF					
Capacitance line -PG	C	≤ 25pF					
Response time line-line	t_A	≤ 1ns					
Response time line-PG	t_A	≤ 1ns					
Operating temperature range		-40°C...+80°C					
Cross-sectional area		0.08mm ² ~ 4mm ² solid / 2.5mm ² flexible					
Mounting on		35mm DIN rail					
Enclosure material		Black thermoplastic, UL94-V0					
Test standards		UL 497b, IEC 61643-21					

Note: Subject to change without any notice.