

DC-Load break switch Model S5000 – 160A 1000V DC21B



Electrical data (according to IEC 60947-3)

Thermal current I_{th} (-30 to 50 °C) 200A

Rated insulation voltage U_i (V) 1000
Rated impulse withstand voltage U_{imp} (kV) 8

DC Rated operational current I_e (A)

Voltage (DC)	Category of operation	I _e
400 V	DC21B	200
600 V	DC21B	200
800 V	DC21B	200
900 V	DC21B	200
1000 V	DC21B	160

*** Please consult for other voltages and/or category of operation*

Standards. IEC 60947-1 & 3

Quality Telergon, S.A.U.

ISO 9001 & 14001



Short-circuit behaviour

Short-circuit making capacity (peak value)	I _{cm}	20kA
Short-time withstand current (1 sec) (rms)	I _{cw}	12kA
Conditional short-circuit current (rms value)		100kA
Maximum cut-off current (peak value)		33kA

Connection capacity

Bar (Thickness / Width) (mm)	7/25
Rigid cable (mm ²)	185
Max. Connecting copper bar (mm)	25
Tightening torque (N·m)	13

Testing as per IEC 60947-3. Approvals

Austrian Institute of
Technology



Mechanical data

Minimum number of operations (as per standard) without load	20000
Maximum weight (4 pole molded case) (kg)	1,9

Codes

Case size (A)	Poles	Code	Code for direct handle
Size 1	4P	S5-02004PR0	DS-SI11



Accessories

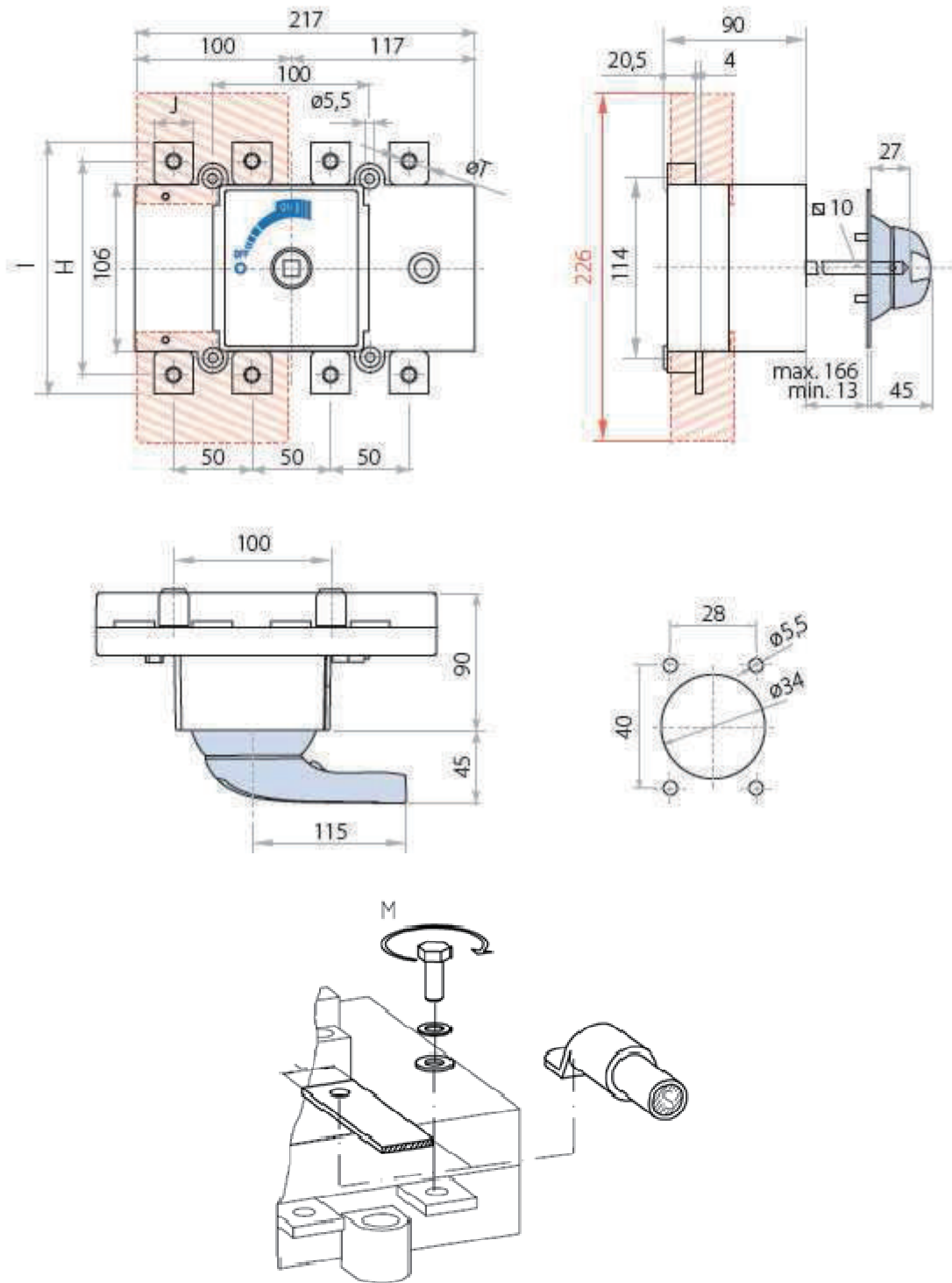
Panel handle	DS-SA11
Bridging links	DS-PI11
Protective plate	DS-CU12
Auxiliary contact	D5LAU01



**DC Switch-Disconnecter
S5-02004PR0**

JDA JD Auspice Co., Ltd.

Note: Subject to change without any notice.



S5000	I _m	H	I	J	øT	M N×m	S max. (Cu)mm ²	H L	
								H max. (Cu)mm	L max. (Cu)mm
1	200A	130	150	20	M8	13	185	7	25



DC Switch-Disconnecter
S5-02004PR0

JDA JD Auspice Co., Ltd.

Note: Subject to change without any notice.