

## DC-Load break switch Model S5000 – 850A 1000V DC21B

### Electrical data (according to IEC 60947-3)

**Thermal current I<sub>th</sub> (-30 to 50 °C) 1250A**

Rated insulation voltage U<sub>i</sub> (V) 1000  
Rated impulse withstand voltage U<sub>imp</sub> (kV) 12

### DC Rated operational current I<sub>e</sub> (A)

Voltage (DC)	Category of operation	I <sub>e</sub>
400 V	DC21B	1250
600 V	DC21B	1250
800 V	DC21B	1000
900 V	DC21B	870
1000 V	DC21B	850

\*\* Please consult for other voltages and/or category of operation

### Short-circuit behaviour

Short-circuit making capacity (peak value)	I <sub>cm</sub>	60kA
Short-time withstand current (1 sec) (rms)	I <sub>cw</sub>	25kA
Conditional short-circuit current (rms value)		72kA
Maximum cut-off current (peak value)		55kA

### Connection capacity

Bar (Thickness / Width) (mm)	2x10/50
Rigid cable (mm <sup>2</sup> )	2x300
Max. Connecting copper bar (mm)	50
Tightening torque (N·m)	45

### Mechanical data

Minimum number of operations (as per standard) without load	10000
Maximum weight (4 pole molded case) (kg)	7,6



Standards. IEC 60947-1 & 3

Quality Telergon, S.A.U.

ISO 9001 & 14001



Testing as per IEC 60947-3. Approvals

Austrian Institute of Technology



### Codes

Case size (A)	Poles	Code	Code for direct handle
Size 3	4P	S5-12504PC0	DS-LI31



### Accessories

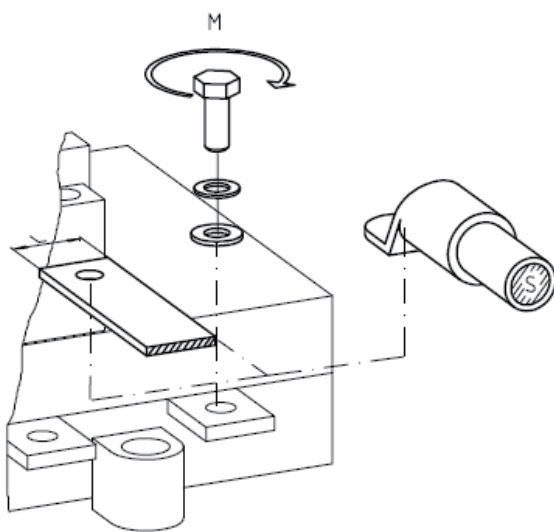
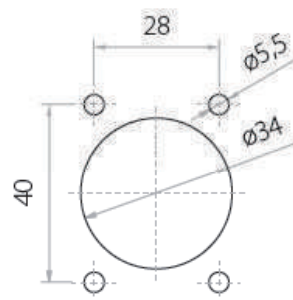
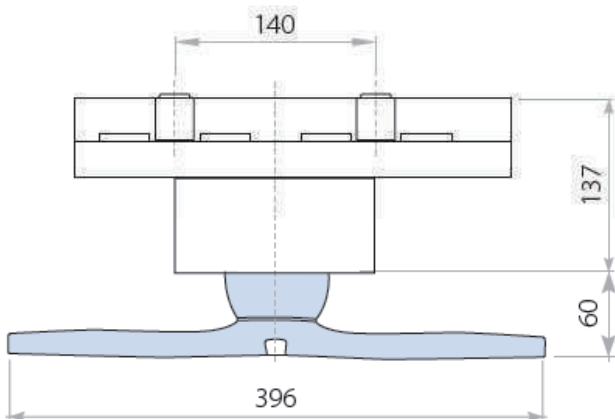
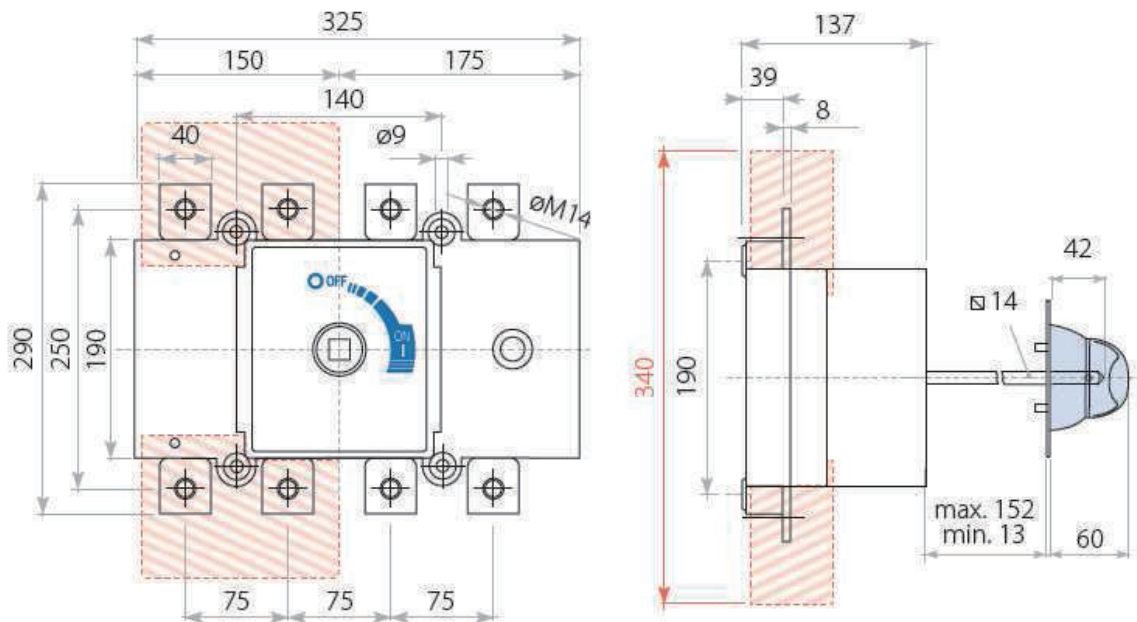
Panel handle	DS-LA31
Bridging links	DS-PI31
Protective plate	N/A
Auxiliary contact	D5LAU01



DC Switch-Disconnecter  
S5-02004PRO

JDA JD Auspice Co., Ltd.

Note: Subject to change without any notice.



S5000	I <sub>th</sub>	A	C	E	F	G	H	I	J	K	L	M	N	O	R		ΦP	Q	ΦT	M	N×m	S max. (Cu)mm <sup>2</sup>	H max. L max. (Cu)mm (Cu)mm	
															MAX.	MIN.							H	L
3	1250A	325	75	150	175	190	250	290	40	340	285	8	39	137	108	18	9	30	M14	45	2×300	2×10	50	



DC Switch-Disconnecter  
S5-02004PR0

JDA JD Auspice Co., Ltd.

Note: Subject to change without any notice.