

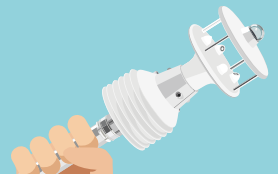
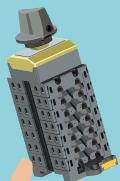
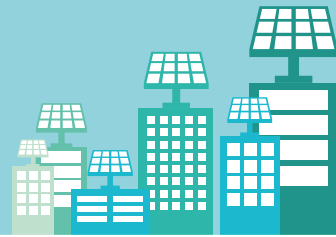


日燭科技有限公司
 JD Auspice Co., Ltd.

綜合型錄

Products Brochure

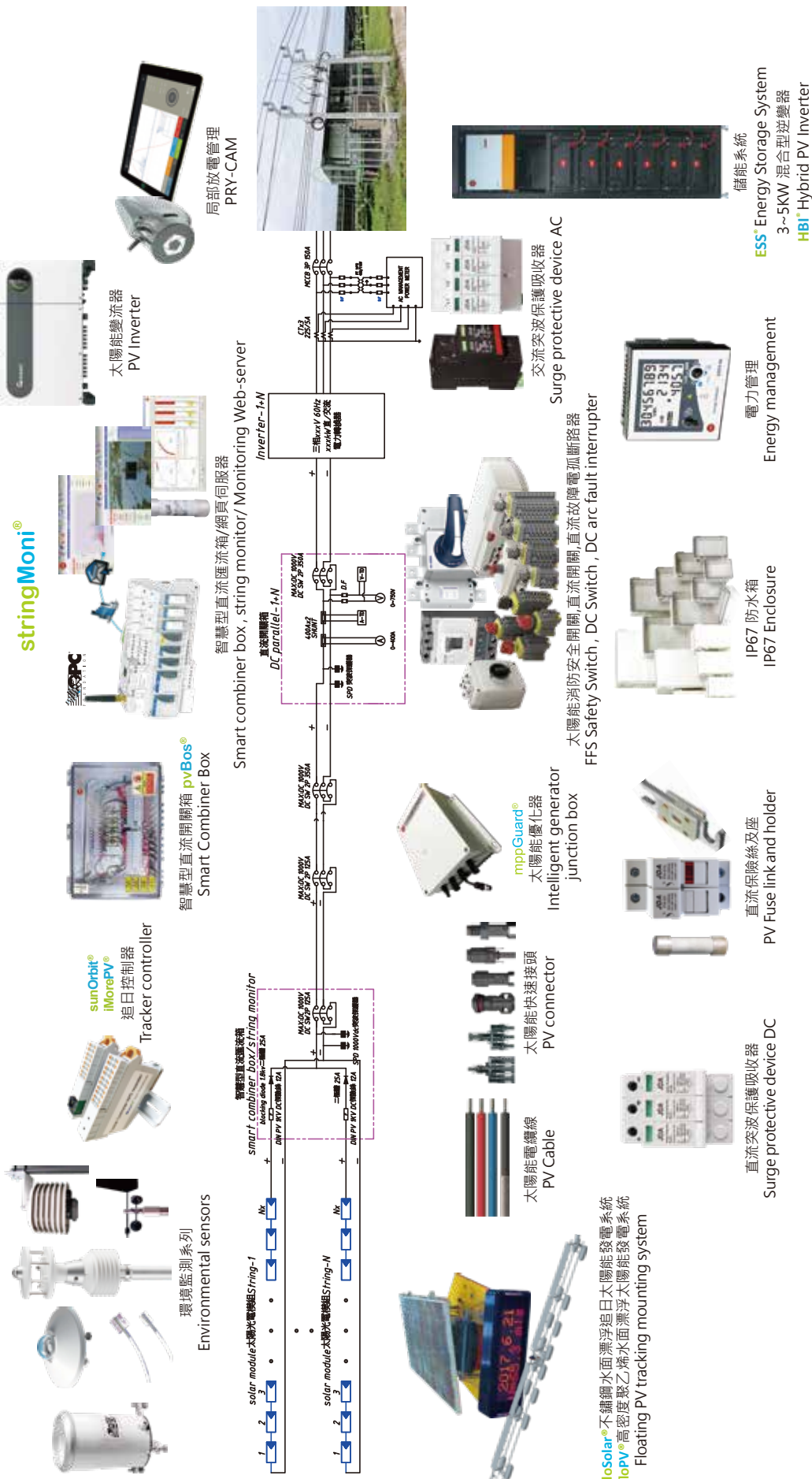
PV BOS





1. 太陽能應用示意圖 Application scheme	p03
2. 環境監測系列 Environmental sensors	p04
3. 太陽能直流組件系列 Solar BOS series	p13
4. 直流斷路器 MCCB for DC Application	p39
5. 直交流突波吸收器 DC/AC Surge protection device	p41
6. 訊號雷擊計數器、訊號突波保護器 Network protector	p47
7. 直流開關箱 pvBos® PV array Combiner Box	p48
8. IP 67 防水箱 IP 67 Enclosure	p49
9. 太陽能發電監測系列 PV farm stringMoni® Monitoring system	p51
10. 追日控制器 Tracker controller sunOrbit®, iMorePV®	p53
11. 不銹鋼水面太陽能漂浮系統 floSolar® Stainless steel floating PV mounting system	p54
12. 漂浮光伏系統 floPV® Floating PV mounting system HDPE	p55
13. 太陽能變流器系列 PV Inverter	p56
14. 太陽能功率優化器 mppGuard® Optimizer mppGuard	p59
15. 混合型逆變器 HBI® HbiPro® Hybrid PV Inverter	p60

太陽能發電用直流平衡系統組件供應商





Pyranometer

日照計 LP 03/03AC/03S/Pyrsi-03 矽晶日照計

日照計

Typical sensitivity : 10MV/(W/m²), output : 4-20mA, Measuring range : 0 ~ 2000W/m², for Pyrsi-03, 0-1500w/m², Operating temperature: -40°C ~ 60°C, Fully comply with

ISO 9060 second class standards.

全天空輻射計：ISO 9060 等級II · 量測範圍0-2000W/M² · 輸出4-20mA · 操作溫度-40~+60°C · 反應<30秒。

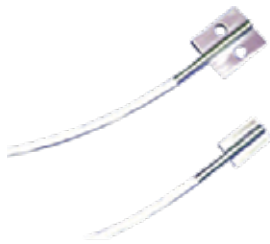


Rain gauge / Portable pyranometer

雨量計/攜帶型日照計 LP 471 + Pyra 03.5

Type : LP 471 PYRA 03.5 + HD2302, Typical sensitivity : 10MV/(W/m²), Spectral field : 305nm ~ 2800nm, Measuring range : 0 ~ 2000W/m², Viewing field : 2πsr, Operating temperature : -40°C ~ 80°C, Fully comply with ISO 9060 second class standards.

靈敏度：10uA/(W/m²) · 光譜範圍：305nm ~ 2800nm · 量測範圍：0 ~ 2000W/m², 監測角度：2πsr · 工作溫度：-40°C ~ 80°C · 符合ISO9060 second class 標準。



SolmoTemp / Solar module surface temperature sensor

薄片型溫度感測器 TS-01系列

表面溫度センサー

PT100 3 wire surface temperature sensor for solar module temperature sensing.

厚度3mm × 長50mm × 寬50mm · 線長 1.5~3米(長度另可客製) · 量測範圍：20°C ~ 150°C · 輸入型式3 wire PT100。



Data Network Protector for high-frequency signal transmission

戶外型溫溼度信號傳送器TH-3200

溫濕度トランスミッター

Measuring range : 0~100%RH, -40~+100°C, output : 4-20mA two wire, power : 12-36VDC > 150mA, ingress protection : IP65.

測量範圍：0~100%RH, -40~+100°C · 訊號輸出：4-20mA two wire · 電壓供給：12-36VDC > 150mA · 防護等級：ABS 耐候外殼 IP65。



風速風向計

Wind speed and Direction

風速風向計 WS 420 / 超音波風速計 HD 52.3DP147

風速計

Wind speed : 0-60m/s, Wind direction : 0-360°.

風速計：0-60m/s · 風向計：0-360°。



Technical Specifications	LPPYRA03AC	LPPYRA03/03S	LPPYRA03AV
ISO 9060:2018 Classification	Spectrally Flat Class A	Spectrally Flat Class C	Spectrally Flat Class B
ISO 9060:1990 Classification	Secondary standard	Second Class	First Class
Power	10...30Vdc		10...30Vdc,15...30Vdc ... 0...10Vdc
Output signal	4...20mA 4mA=0 W/m ² 20mA=2000W/m ²	10 μV1W/m ² 2000W/m ² =0.020/RS485	0...1Vdc,0...5Vdc,0...10Vdc 0Vdc=0W/m ² 1/5/10Vdc=2000W/m ²
Typical sensitivity	5-15μV/(W/m ²)	5 to 15 μV/(W/m ²)	5-15μV/(W/m ²)
Impedance	33Ω ÷ 45 Ω	33 Ω ÷ 45 Ω	33 Ω ÷ 45 Ω
Measuring range	0 ÷ 2000W/m ²	0 ÷ 2000 W/m ²	0 ÷ 2000W/m ²
Viewing field	2πsr	2πsr	2πsr
Spectral range (50%)	300nm ÷ 2800nm	300 nm ÷ 2800 nm	300nm ÷ 2800nm
Operating and storage temperature range	-40 °C ÷ 80 °C	-40 °C ÷ 80 °C	-40 °C ÷ 80 °C
Weight	0.90 kg	0.45 kg	0.90 kg
ISO 9060 Specifications			
Response time 95%	< 20 sec	< 20 sec	< 20 sec
Zero Off-set	a) Response to thermal radiation (200Wm ²)	25 W/m ²	25W/m ²
	b) Response to temperature change 5K/h	< ±6 W/m ²	< ±6 W/m ²
Non stability over 1 year	< ±2.5 %	< ±2.5 %	< ±2.5 %
Non-linearity	< ±2 %	< ±2 %	< ±2 %
Cosine response	< ±10 W/m ²	< ±22 W/m ²	< ±18 W/m ²
Spectral selectivity	< ±22 %	< ±7 %	< ±22 %
Temperature response (-10°C to +40°C)	< 8%	< 8%	< 8%
Tilt response	< ±4 %	< ±4 %	< ±4 %
Humidity Range	0 to 100%	0 to 100%	0 to 100%
Mean Time Between Failures	> 10 years	> 10 years	> 10 years
Accuracy of bubble level	< 0.1°	< 0.2°	< 0.1°
Ingress Protection (IP) rating	67	67	67
Version with shadow ring	✓	✓ (only for passive version)	✓
Warranty (years)	6 (registration required)	3	6 (registration required)
ISO 17025 Certification	available	available	available



Technical Specifications		LPPYRA10/10S	LPPYRA02
ISO 9060:2018 Classification		Spectrally Flat Class A	Spectrally Flat Class B
ISO 9060:1990 Classification		Secondary standard	First Class
Power			
Output signal			
Typical sensitivity		6 to 11 $\mu\text{V}/(\text{W}/\text{m}^2)/\text{RS485}$	6 to 12 $\mu\text{V}/(\text{W}/\text{m}^2)$
Impedance		5 $\Omega \div 50 \Omega$	33 $\Omega \div 45 \Omega$
Measuring range		0 $\div 4000 \text{ W}/\text{m}^2$	0 $\div 2000 \text{ W}/\text{m}^2$
Viewing field		2 π sr	2 π sr
Spectral range (50%)		283 nm \div 2800 nm	283 nm \div 2800 nm
Operating and storage temperature range		-40 °C \div 80 °C	-40 °C \div 80 °C
Weight		0.90 kg	0.90 kg
ISO 9060 Specifications			
Response time 95%		< 5 s	< 10 s
Zero Off-set	a) Response to thermal radiation (200Wm ²)	<7 W/m ²	15 W/m ²
	b) Response to temperature change 5K/h	< ± 2 W/m ²	< ± 4 W/m ²
Non stability over 1 year		< ± 0.5 %	< ± 1.5 %
Non-linearity		< ± 0.2 %	< ± 1 %
Cosine response		< ± 10 W/m ²	< ± 18 W/m ²
Spectral selectivity		< ± 3 %	< ± 5 %
Temperature response (-10°C to +40°C)		< 1%	< 4%
Tilt response		< ± 0.2 %	< ± 2 %
Humidity Range		0 to 100%	0 to 100%
Mean Time Between Failures		> 10 years	> 10 years
Accuracy of bubble level		< 0.1°	< 0.1°
Ingress Protection (IP) rating		67	67
Version with shadow ring		✓	✓
Warranty (years)		6 (registration required)	6 (registration required)
ISO 17025 Certification		available	available

表面溫度貼片 Solmo Temp 高精度超導 TS-01 系列



適用：各種金屬、塑膠和不規則表面測溫及半導體面板、太陽能板、氣象觀測等。

Applications: Variety of metals, Plastics, Irregularly surface, Semiconductor, Panel, Solar panels, Meteorological observations.

- 使用溫度範圍：-40~+250°C。
(可訂製更高溫型)
Measurement Range: -40~+250°C
(Higher temperature model can be customized)
- 精確度：DIN IEC751 A Class。
Accuracy: DIN IEC751 A Class
- 超導測溫反應快速、精確度高。
Fast Response, High Accuracy
- 易於安裝，耐惡劣環境及化學物。
Easy to Installation
Resistance to Harsh Environments and Chemicals

主要規格 Specifications

外型：TS-01A 貼附式 / TS-01S 螺絲固定式
TS-01A (Attachble type) / TS-01S (Screws mounting type)

感溫元件：PT100Ω class A；亦可訂購各式測溫體或熱電偶型式
PT100Ω Class A (thermocouple type optioned)

貼片尺寸：TS-01A型：10 × 16mm · t = 1mm / TS-01S型：19 × 22mm · t = 1.5mm
TS-01A：10 × 16mm, t = 1.0mm / TS-01S：19 × 22mm, t = 1.5mm

反應速度：約15秒 ※ 表面完全密貼狀況下
Approx. 15 sec. ※ Surface completely fit circumstances

導熱係數：低於100°C · ≥ 0.8W/mk · 高於120°C · > 1.5w/mk ASTM D5470
Lower than 100°C, ≥ 0.8W/mk, Higher than 120°C, > 1.5W/mk

延伸信號線：耐候型鐵氟龍線；亦可訂製信號線材質、長度
Climate-bearable for outdoor use (The length can be customized)

選購方式 Option Accessories

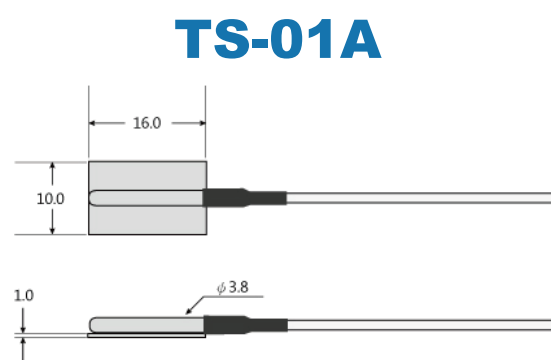
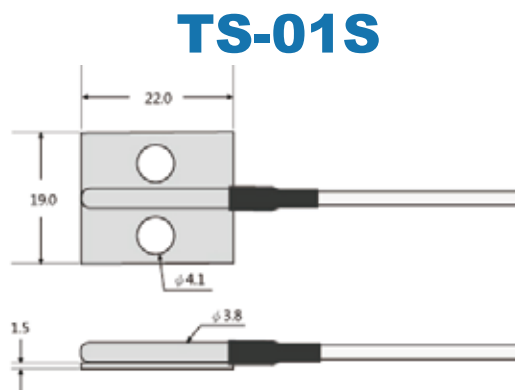
測溫元件種類：A、白金 PT100Ω/50Ω/1000Ω DIN-Class A
Platinum PT100Ω/50Ω/1000Ω DIN - Class A

B、熱電偶K、J、E、T、N
Thermocouple K、J、E、T、N Type

導線種類：1、PVC導線 2、矽膠導線 3、鐵氟龍導線
(長度可指定) PVC cable Silicone cable Teflon cable

安裝方式 Installation

- a. 耐溫超強背膠 Heat-Resistant Adhesive b. 白鐵固定夾 Galvanized Iron Retainer Clip c. 高溫鋁膠帶 High-Temperature Aluminum Tape d. 螺絲固定孔 Screw Retainer Hole



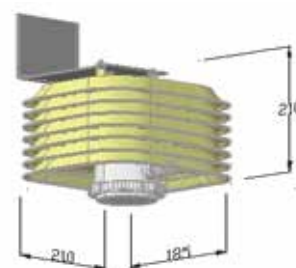
溫溼度信號傳送器 戶外型 TH-3200 series



適用戶外環境監控、溫室、農業、船運、氣象資料收集、氣候實驗及工業應用之程序控制等。

TRH-3200 series is specially designed to prevent various difficult climates, ensure rapid response and long-term use since it takes advantage of remarkably convection structure of radiation multi-wing and outdoor climate-bear design. At aspects of installation, disassembly, wiring and adjustment, it's more convenient and speedy than other brands.

- 多翼型對流板、防雨、耐候、防止輻射熱。
- 反應迅速、高精度、信號穩定。
- 可選購電流輸出型或電壓輸出型。
- 設計精巧、美觀、容易安裝。



測量範圍 Measurement Range	0 ~ 100 %RH 0 ~ 100°C · -20 ~ +80°C · 0 ~ 50°C · -40 ~ +60°C · 或者其它規格可訂製。
精確度 Accuracy (At 25°C)	±2 %RH · ±0.3°C
穩定條件 Long-term stability	一年內漂移小於 1% RH · (正常使用於安定、無污染環境中)
溫度補償 Temp. Compensation	±0.008 %RH /°C (Effect @ 0% RH)
反應時間 Response	15秒內 (90% at + 25°C in moving air>0.5 M/S)
感測器 Sensors	濕度: Thin-film capacitor 溫度: RTD Pt 100Ω DIN, IEC 751
訊號輸出 Output	電流輸出型(A Type) 溫度: 4 ~ 20 mA Two wire 濕度: 4 ~ 20 mA Two wire 電壓輸出型(V Type) 可選購 0 to 1 V · 0 to 2V · 0 to 5 V · 0 to 10 V或1 to 5V 輸出
電壓供給 Power Supply	12 ~ 36 V DC > 150mA
感測器保護 Housing / Protection	裝置於戶外用多翼輻射耐候盒 · 內置防塵、防干擾過濾罩。
主器外殼 Internal transmitter	ABS耐候外殼 · 防護等級 IP65°
結線器 Cable gland	防水型快速結線器及端子座 · 適用結線外徑: φ5 ~ 10 mm°
主器周圍環境溫度 Ambient Temperature	- 40 ~ +85°C · (- 40 ~ +185)°F
重量 Weight	約 1500公克
外型及尺寸 Dimensions (不含固定座)	210 (L) × 185 (W) × 210 (H) mm 基座具固定孔

訂購說明 [例] TH-3203A: 溫、濕度傳送器 · 電流輸出型。

機 型 代 號		功 能 內 容	
TH-3201		Temperature Transmitter 溫度信號傳送器	
TH-3202		Humidity Transmitter 濕度信號傳送器	
TH-3203		Temp. / Humi Transmitter 溫、濕度信號傳送器	
輸 出	A	Current Output 電流輸出型	
	V	Voltage Output 電壓輸出型	

※以上規格內容之修改、變更，將不另行通知。



Combined Wind speed and Direction sensors

Combined wind speed and wind direction sensor. Direct signal output for wind speed (Hz) and wind direction (0÷1 Vdc). This sensor range includes, in a single apparatus, transducers for both wind speed and wind direction measurement. Its use simplifies installation requirements, other than being smaller, lighter and cheaper than the general 2-sensor kit. Model WS122#S is equipped with a potentiometer and its wind direction output is in Ω, with very low power consumption and it can be used in applications with limited energy availability. Data output of the WS921 model is RS485 using Modbus RTU® or TTY-ASCII protocols.

Order numb.	WS833.01	WS833.2000	WS420	WS05	WS485
Wind speed output	0÷833 Hz		4÷20 mA	0÷5 Vdc	RS485
Wind speed measuring range	0÷75 m/s (damage limit)		0÷60 m/s		
Wind Direction output	0÷1 Vdc	0÷2000 Ω	4÷20 mA	0÷5 Vdc	RS485
Protocol	-	-	-	-	Modbus RTU® TTY-ASCII
WS Programmable output	-	-	-	-	Instant, max., min., ave. (1÷3600 sec)
WD programmable output	-	-	-	-	Instant, Prevalent sector (1÷3600 sec)
Configuration	-	-	-	-	Hyperterminal
Protection	Tranzorb		Tranzorb e Emifilters		
RS485 protection	-	-	-	-	Galvanic insulation (3 kV, UL1577)
RS485 speed	-	-	-	-	1200÷115 kbps
Power supply	12 Vdc		10÷30 Vac/dc		
Power consumption	30 mA	2 mA	0,5 W		
Wind direction principle	Hall effect system	2 kΩ potentiom.	Hall effect system		
Data logger compatibility	M-Log (ELO007-008) R-Log (ELR515) E/X-Log (all models)		-	-	-
Common features					
Wind speed	Principle		N.32 step optoelectronic disk		
	Accuracy		0÷3 m/s=1,5%, >3 m/s= 1%		
	Threshold		0,26 m/s		
	Delay distance		4,8 m (@ 10 m/s) According to VDI3786 and ASTM 5096-96		
	Resolution		0,07 m/s		



HD 52.3D

2 AXES ULTRASONIC ANEMOMETERS



axes ultrasonic Anemometers series HD 52.3D...

The instruments of the series HD52.3D... are 2 axes ultrasonic static anemometers for measuring:

- Wind speed and direction, U-V Cartesian components of wind speed,
- Relative Humidity and Temperature (optional, code '17'),
- Diffuse Solar Radiation (optional, code 'P'),
- Barometric pressure (optional, code '4').

All models are equipped with compass.

RS232, RS485, RS422 and SDI-12 serial interfaces are available with NMEA, MODBUS-RTU and SDI-12 communication protocols.

All versions have two analogical outputs, both for wind speed and for direction, factory configurable among 4÷20mA (standard), 0÷1V, 0÷5V, 0÷10V (to be specified when ordering).

Optionally available, (ACCREDIA) ILAC-MRA traceable factory calibration.

Typical applications:

- Weather stations • Environmental monitoring
- Agriculture • Marine and Harbour applications
- Sports facility • Airports • HVAC • Construction
- Renewable energy • Building automation

Advantages:

- The absence of moving parts minimizes maintenance;
- High sensitivity for detecting very low speeds, which are not detectable by traditional methods;
- The low power of the instrument allows installation in remote sites, with power from solar panel and battery;
- The heating option 'R' prevents the accumulation of snow and ice from forming, allowing accurate measurements in all environmental conditions;
- Fast and easy installation (on 40mm diameter pole, optional installation kit HD2004.20), alignment facilitated by built-in compass;
- The available measurement options join together in one single, compact and lightweight instrument, the main variables of interest in weather stations;
- MODBUS-RTU output allows instrument networking.

Technical specifications:

Wind speed	
Employed sensor type	Ultrasonic
Measuring Range	0...60 m/s
Resolution	0.01 m/s
Accuracy	Whichever is greater $\pm 0,2$ m/s or $\pm 2\%$, (0...35 m/s) $\pm 3\%$ (> 35 m/s)
Wind direction	
Employed sensor type	Ultrasonic
Measuring Range	0...360°
Resolution	0.1°
Accuracy	$\pm 2^\circ$ RMSE from 1.0 m/s
Compass	
Employed sensor type	Magnetic
Measuring Range	0...360°
Resolution	0.1°
Accuracy	$\pm 1^\circ$
Air temperature (option 17 is requested)	
Employed sensor type	Pt100
Measuring Range	-40...+60 °C
Resolution	0.1 °C
Accuracy	$\pm 0,15^\circ\text{C} \pm 0,1\%$ of the measure
Relative Humidity (option 17 is requested)	
Employed sensor type	Capacitive
Measuring Range	0...100%RH
Resolution	0.1%
Accuracy (@ T = 15...35 °C)	$\pm 1,5\%$ UR (0..90%RH), $\pm 2\%$ RH (remaining field)
Accuracy (@ T = -40...+60 °C)	$\pm (1,5 + 1,5\%$ of the measure)%RH
Barometric Pressure (option 4 is requested)	
Principle	Piezoresistive
Measuring Rang	600...1100 hPa
Resolution	0.1 hPa
Accuracy	$\pm 0,5$ hPa @ 20°C
Solar Radiation (option P is requested)	
Employed sensor type	Thermopile
Measuring Rang	0...2000 W/m ²
Resolution	1 W/m ²
Accuracy	2 nd class Pyranometer
General features	
Power supply	10...30 Vdc
Power Consumptio	26mA @ 12Vdc without heater, 6W with heater
Serial Outputs	RS232, RS485, RS422 and SDI-12
Communication Protocols	NMEA, MODBUS-RTU, SDI-12
Analog Outputs	2 analog outputs for wind speed and direction. Output type to be specified when ordering among 4...20mA(standard), 0...1V, 0...5V and 0...10V (option 0...10V requires power supply 15...30Vdc)
Electrical connection	male connector M23 19 poles
Working temperature	-40...+60 °C
Dimensions	H=179mm, Ø =150mm (HD52.3D, HD52.3D4) H=200mm, Ø =150mm (HD52.3DP, HD52.3DP4) H=336mm, Ø =150mm (HD52.3D17, HD52.3D147) H=357mm, Ø =150mm (HD52.3DP17, HD52.3DP147)
	about 1 Kg (full version, HD52.3DP147)
Housing	Plastic material: LURAN®S (ASA) Metallic parts made of AISI 316
Protection degree	IP66

環境監測箱

環境監測箱所收集的日照、溫度、風速等數據，可以更精確判斷太陽能電廠的PR值與模組的發電效率，除了掌握電廠的運作狀況外也讓電廠的維運作業有所依據。



- 日照錶，輸入訊號4-20mA / 0-10V，輸出訊號RS485
- 溫度錶，輸入訊號4-20mA / PT100，輸出訊號RS485
- 供應電源AC115-230V



安裝操作簡單
內藏操作按鍵設計，避免人為疏忽



- 日照錶，輸入訊號4-20mA / 0-10V，輸出訊號RS485
- 溫度錶，輸入訊號4-20mA / PT100，輸出訊號RS485
- 風速錶，輸入訊號4-20mA，輸出訊號RS485，供應電源AC115-230V
- 大氣溫度錶

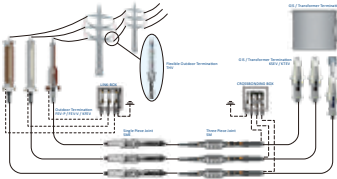


可根據現場需求任意設定顯示範圍
端子直入設計，無接觸不良問題；安裝深度只有72mm





	TECHNICAL SPECIFICATIONS	HD2016	HD2015	HD2013	HD2013.2
Measure	Type	Rain Gauge	Rain Gauge	Rain Gauge	Rain Detector
	Principle	Weighing	Tipping Bucket	Tipping Bucket	Capacitive
	Solid	✓ (option R)	✓ (option R)	✓ (option R)	✓
	Mixed	✓ (option R)	✓ (option R)	✓ (option R)	✓
	Liquid	✓	✓	✓	✓
	Resolution	0.001 mm/1mg	0.1-0.2 or 0.5 mm/tip	0.1-0.2 or 0.5 mm/tip	
	Accuracy	± 0.2 mm	± 2 % (using correction curves)	± 2 % (using correction curves)	
	Collector Area	400 cm ²	200 cm ²	400 cm ²	
	Maximum Rainfall Rate	1000 mm/h	600 mm/h (0.2 res. version) 1000 mm/h (0.5 res. version)	600 mm/h (0.2 res. version) 1000 mm/h (0.5 res. version)	
Output	Contact output	Voltage Free	Voltage Free	Voltage Free	Open Collector
	Analog output			Optional 4...20 mA (I_{out}) or 0...10 V (V_{out})	0...1 V
	SDI-12	✓		optional	
	RS485-MODBUS	✓			
Power	Supply voltage	10...15 Vdc meas. 12 Vdc heating	12 / 24 Vdc only for heating	12 / 24 Vdc for heating 7...30 Vdc for I_{out} SDI-12 13...30 Vdc for V_{out}	12 Vdc
	Consumption	90 W heating ≈20 mA measuring circuit (1,5 A peak)	50 W heating	165 W heating ≈26 mA for I_{out} ≈4 mA for V_{out} ≈100 μA for SDI-12	130 mA typ. 230 mA max.
Operating conditions	Operating Temperature	0...+70 °C -20...+70 °C heated version	0...+70 °C -20...+70 °C heated version	0...+70 °C -20...+70 °C heated version	-20...+60 °C
	Protection Degree	IP 64	IP 64	IP 64	IP 68
General Characteristics	Housing	Coated aluminium	Coated aluminium	Coated aluminium	ASA technopolymer UV resistant
	Bird spikes	optional	optional	optional	optional
	Filter	✓	✓	✓	✓
	Adjustable Feet	✓	✓	✓	
	Levelling Device	✓	✓	✓	
	Mounting Bracket				✓
	Data Logger	HD33 Meteo Data Logger Series HD35 Wireless Data Logger Series HD2013-DB Rain Indicator Data Logger HD32MT Meteo Data Logger Series			



Power Transmission Line

特高壓電纜與接續

UHV ケーブルと接續

換相接地 72.5~550 kV



PV Cable

直流電纜

DCケーブル

Prysmian PV cable: 防齧齒咬、防白蟻咬、抗UV、浸水644天於90° C水槽測試
無部份放電監測絕緣值9.99MΩ、適用水面漂浮、直埋式、畜牧。



Fuse holder 1000Vdc / 1500Vdc

直流保險絲座 FH-01

DC ヒューズホルダー

直流熔絲座：1000~1500Vdc 30A, 操作度-20 ~ +70C, IEC60947-1/3
適用直流保險絲：900Vdc (900Vdc, Tested 1000Vdc) 1,2,4,6,8,10,12,16,
20,25,30A 10x38mm。



gPV fuse link / forklift truck and battery fuse

直流保險絲 / 蓄電儲能保險絲

gPV ヒューズ

直流保險絲：1000~1500Vdc tested 1000Vdc : 1,2,4,6,8,10,12,16,20,25,30A, 10 x 38mm.
1000Vdc : 1,2,4,6,8,10,12,16,20,25A, 10 x 38mm. IEC60269-6。
1000Vdc : 1,2,4,6,10,16,20,25,32,40,50, 22 x 127 mm. IEC60269-6。
蓄電儲能保險絲：35~600A, 80~130Vdc



DC MCCB / DC Switch

直流斷路器

DC 遮斷機

DC MCCB : 500~1000V, 16~2000A, DC Switch : 500~1000V, 16~2000A · TUV
直流斷路器：500~1000V, 16~2000A。



DC Switch disconnect

直流開關 XA type / XB type

DCスイッチ

16~2000Amp, 600-1000Vdc, Passed UL.IEC.KEMA.CE.BC.CSA.CC safety standard.
16~2000Amp · 600-1000Vdc · 通過UL、IEC、KEMA、CE、BC、CSA、CCC認證。
雙軸非同步儲能驅動 · 雙刀圓盤接點橋 · 無伸張電弧 · 可安全的直接電壓下使用 · 自
我清潔接點 · 高速氣流冷卻技術 · 符合國際環保規定 · 不含鉛鎘 · 體積小 · 多種安裝
選擇。



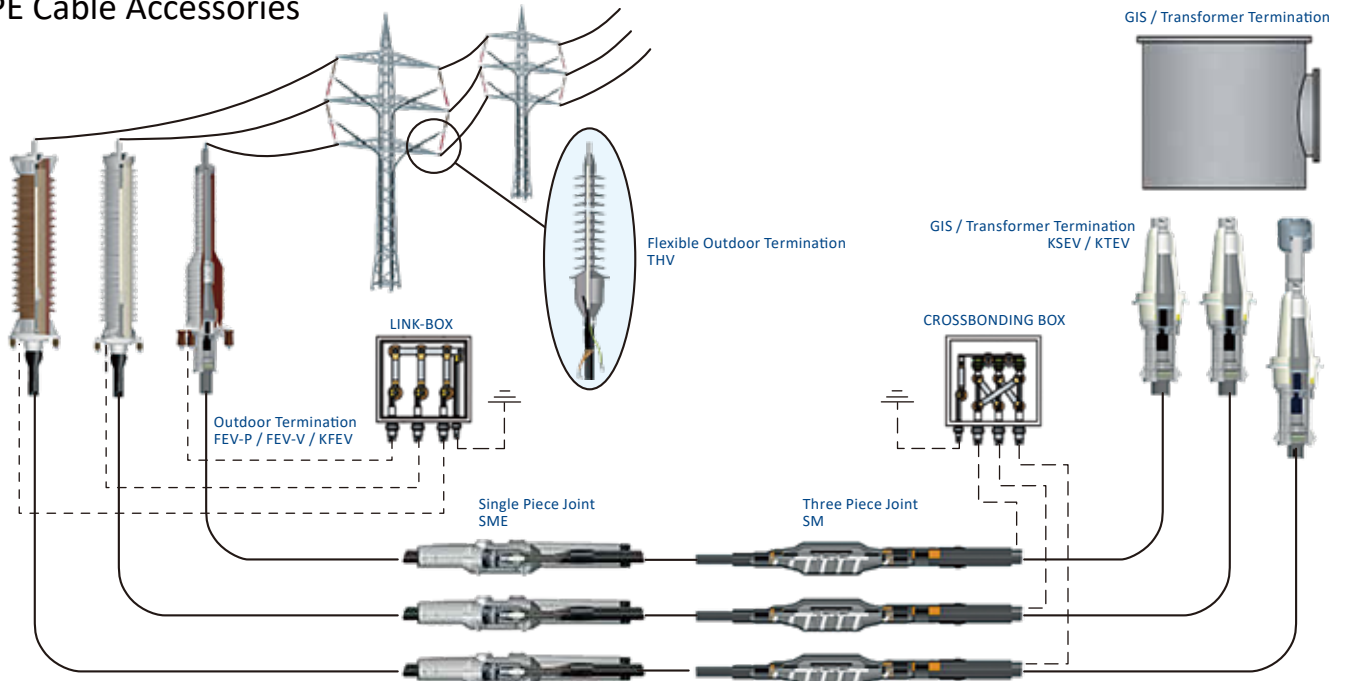
DC MCCB / DC Switch

直流斷路器

DC 遮斷機

DC MCCB : DC1000V 2P。

Power Transmission Line
XLPE Cable Accessories



Product Scope

Besides the accessories for XLPE insulated cables, NKT also produces and installs

accessoires for paper insulated high voltage cables, e.g. for re-routing, repair and renovation.

U _m /kV	72.5	123	145	170	245	300	420	550
Outdoor Termination	X/O/D/P	X/O/D/P	X/O/D/P	X/D	X/D	X	X	X
Switchgear Termination	X/O/D/P	X/O/D/P	X/O/D/P	X/D	X/D	X	X	X
Transformer Termination	X/O/D/P	X/O/D/P	X/O/D/P	X/D	X/D	X	X	X
Straight joint	X/O/D/P	X/O/D/P	X/O/D/P	X/O	X	X	X	X
Stop joint	O	O	O	-	-	-	-	-
Transition joint	X/O/P	X/O/P	X/O/P	X/O	-	-	-	-

X – for XLPE cable O – for oil filled cable D – dry type for XLPE cable P – for gas pressure cable

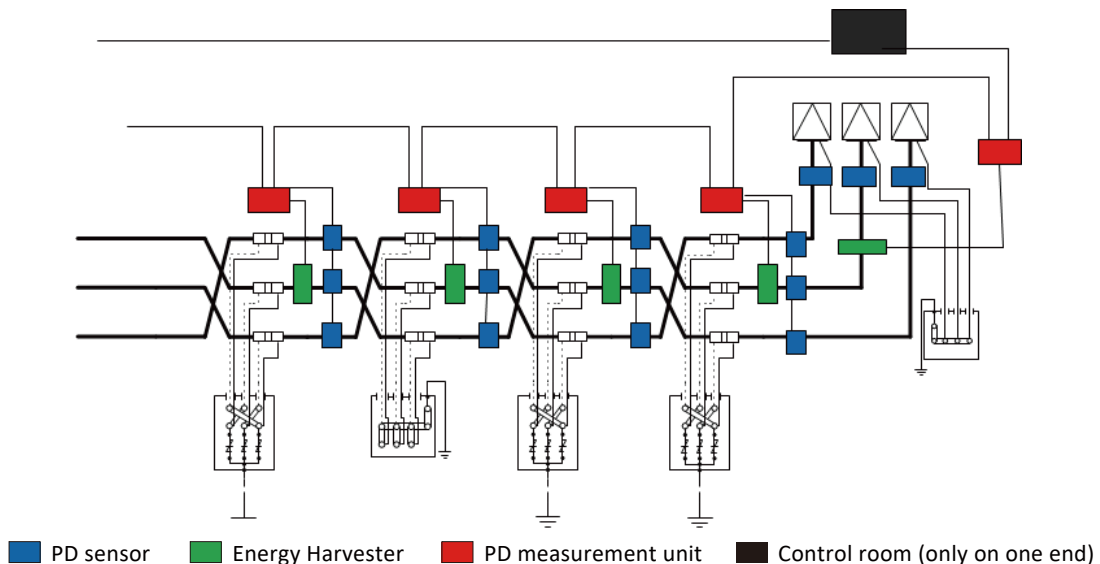


Fig.2b: Example of layout of the PD monitoring system. Daisy Chain Version



TECSUN(PV) H1Z2Z2-K 1/1kV AC (1,5/1,5kV DC) PV cables, rubber insulated, TÜV and VDE certified as per EN 50618



Chemical parameters

Reaction to fire	<p>Acc. to EN 50618, Table 2:</p> <ul style="list-style-type: none"> • Single Cable Flame Test per EN 60332-1-2; • Low Smoke Emission per EN 61034-2 (Light Transmittance > 70%); • Halogen-free per EN 50525-1, Annex B. <p>PRYSMIAN internal test:</p> <ul style="list-style-type: none"> • Multiple Cable Flame Test per EN 50305-9; • Low Toxicity per EN 50305 (ITC < 3).
Resistance to oil	<p>PRYSMIAN internal test, on sheath:</p> <ul style="list-style-type: none"> • 24h, 100°C (meets VDE 0473-811-404, EN 60811-404).
Westher resistance	<p>Acc. to EN 50618, Annex E and Table 2:</p> <ul style="list-style-type: none"> • UV Resistance on sheath: tensile strength and elongation at break after 720h (360 Cycles) of exposure to UV lights acc. to EN 50289-4-17, Method A; • Ozone resistance: per Test Type B (DIN EN 50396). <p>PRYSMIAN internal test:</p> <ul style="list-style-type: none"> • Water Absorption (Gravimetric) per DIN EN 60811-402.
Acid and alkaline resistance	<p>Acc. to EN 50618, Annex B:</p> <ul style="list-style-type: none"> • 7 days, 23°C (N-Oxalic Acid, N-Sodium Hydroxide) acc. to EN 60811-404.
Ammonia Resistance	<p>PRYSMIAN internal Testing:</p> <ul style="list-style-type: none"> • 30 days in Saturated Ammonia Atmosphere.
Enviromentally Friendly	<p>TECSUN(PV) cables comply with the RoHS directive 2011/65/EU of the European Union.</p>

Thermal parameters

Max. operating temperature of the conductor	<p>Max. 90°C at conductor (lifetime acc. to Arrhenius-Diagram TECSUN = 30 years). 20.000 hours of operation at conductor temperature of 120°C (and 90°C ambient temperature) are permitted.</p>
Max. short circuit temperature of the conductor	250°C (5 s.)
Ambient temperature (for fixed and flexible installation)	Installation and handling: -25°C up to 60°C In Operation: -40°C up to +90°C
Resistance to cold	<p>Acc. to EN 50618, Table 2:</p> <ul style="list-style-type: none"> • Cold Bending Test at -40°C acc. to DIN EN 60811-504; • Cold Elongation Test at -40°C acc. to DIN EN 60811-505; • Cold Impact Test at -40°C acc. to DIN EN 60811-506 and EN 50618 Annex C.
Damp-Heat Test	<p>Acc. to EN 50618, Table 2:</p> <ul style="list-style-type: none"> • 1.000h at 90°C and 85% humidity (test acc. to EN 60068-2-78).

Mechanical parameters

Max. tensile load	15 N/mm ² in operation, 50 N/mm ² during installation
Min bending radius	Acc. to EN 50565-1
Abrasion resistance	<p>PRYSMIAN internal Testing:</p> <ul style="list-style-type: none"> • Acc. to DIN ISO 4649 against abrasive paper; • Sheath against sheath; • Sheath against metal; • Sheath against plastics.
Shrinkage Test	<p>Acc. to EN 50618, Table 2:</p> <ul style="list-style-type: none"> • Maximum Shrinkage <2% (test acc. to EN 60811-503).
Pressure Test at High Temperature	<p>PRYSMIAN internal Testing:</p> <ul style="list-style-type: none"> • <50% acc. to EN 60811-508.
Dynarnic Penetration Test	<p>Acc. to EN 50618, Annex D:</p> <ul style="list-style-type: none"> • Meets requirements of EN 50618.
Shore-Hardness	<p>PRYSMIAN internal Testing:</p> <ul style="list-style-type: none"> • Type A: 85 acc. to DIN EN ISO 868
Durability of Print	<p>Acc. to EN 50618:</p> <ul style="list-style-type: none"> • Test acc. to EN 50396.
Rodent resistance	Safety can be optimized by utilizing protective hoses, or protective element, such as a metallic screen braid.
Anti-Rodent and Anti-tennite resistance 防蟻酸、防鼠咬(復合物或帶銅絲編織)	

TECSUN(PV) H1Z2Z2-K 1/1kV AC (1,5/1,5kV DC)

Datasheet

Number of cores x cross section	Colour	Conductor diameter max. mm	Outer diameter min. mm	Outer diameter max. mm	Banding radius fixed min. mm	Weight (approx.) kg/km	Permissible tensile force max. N	Conductor resistance at 20°C max. Ω/km	Current carrying capacity for single cable free in air (60°C ambient temp.) A	Current carrying capacity for single cable on a surface (60°C ambient temp.) A	Short Circuit Current (1s. from 90°C to 250°C) kA
1x1,5	black	1.6	4.4	5.2	15	35	23	13.7	30	29	0.21
1x2,5	black	1.9	4.9	5.7	17	46	38	8.21	41	39	0.36
1x4	black	2.4	5.4	6.2	16	61	60	5.09	55	52	0.57
1x6	black	2.9	5.9	6.7	20	80	90	3.39	70	67	0.86
1x10	black	4	7.1	7.8	23	122	150	1.95	98	93	1.43
1x16	black	5.6	9	9.8	30	200	240	1.24	132	125	2.29
1x25	black	6.4	10.4	11.5	34	290	375	0.795	176	167	3.58
1x35	black	7.5	11.7	12.8	50	400	525	0,565	218	207	5.01
1x50	black	9	13,5	14.5	58	560	750	0,393	276	262	7.15
1x70	black	10.8	15.5	16.5	66	750	1050	0.277	347	330	10.01
1x95	black	12.6	17,7	18.7	75	970	1425	0.21	416	395	13.59
1x120	black	14.2	19.2	20.4	82	1200	1800	0.164	488	464	17.16
1x150	black	15.8	21,4	22.6	91	1500	2250	0.132	566	538	21.45
1x185	black	17,4	23.7	25.1	101	1840	2775	0108	644	612	26.46
1X240	black	20.4	27.1	28.5	114	2400	3600	0.082	775	736	34.32

SOLAR PV FUSE HOLDER FOR CYLINDRICAL FUSE-LINKS SIZE 10×38, DC DESIGN

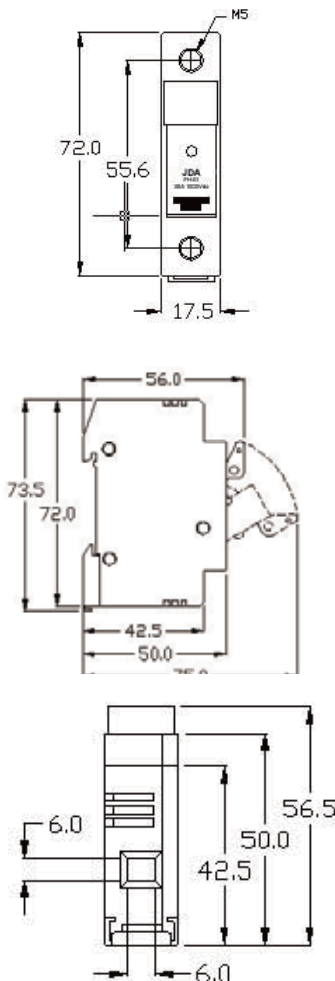


- Fuse disconnectors FH are intended for cylindrical fuse-links size 10x38.
- Fuse disconnectors FH can be sealed in the closed state.
- The devices are designed as modular for 45 mm cut out in the switchboard.



Dimensions

FH01 /Din rail mounting



Part No	I_n [A]	Rate Voltage	Number of poles	Package[pcs]
FH-01	30	1000Vdc	1	12
FH-01L	30	1000Vdc	1	12

Note: FH-01-L with status light, without status light FH-01

Parameters		
Rated operating current	I_n	30 A
Rated operating voltage	U_n	1000 V d.c.
Utilization category		DC-20B
Rated insulation voltage	U_i	1000 V d.c. ⁽¹⁾
Rated pulse withstand voltage	U_{imp}	4KV
Fuse-link	Diameter x length	10x38
Max. rated current of the fuse-link		30A
Max. power losses of the fuse-link		3W
Rated short-time withstand current	$I_{cw} 1s$	1.6KA
Electrical endurance (operating cycles)		300
Mechanical endurance (operating cycles)		1700
Degree of protection, cover closed		IP20
Degree of protection, cover opened		IP20
Connection cross-section		Cu/0.5+25mm ² (2x16mm ²)
Torque		2 Nm
Operating ambient temperature	t	-25÷+55℃
Max. sea level		2000m
Material body and handle		thermoplastic high resistance to the temperature,PBT
Flammability		UL 94 - V0
Glow Wire Test		IEC 60695 , 960 °C
Colour		Ral 7035
Material of contacts		electrolytic silver plated copper or Phosphor bronze.
Standards		IEC 60947-1,-3 ; EN 60947-1,-3.pv0

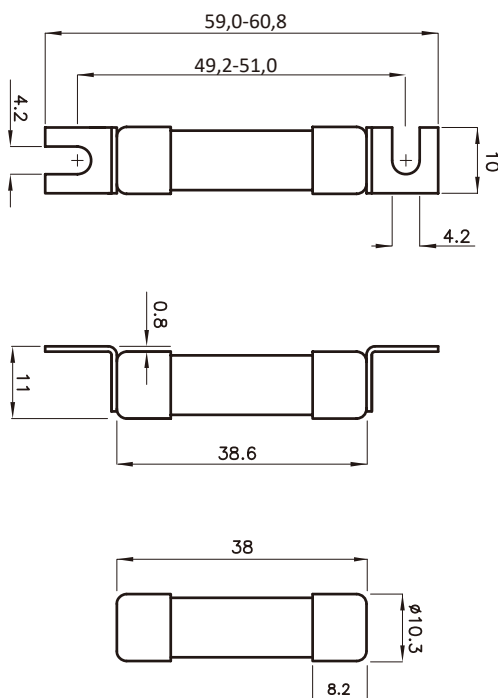
Note: (1) also suitable for 695Vac. application

CH 10 gPV - Fuse - links

General characteristics		UL file: E347771
Rated voltage	1000V d.c. L/R=2ms	
Breaking capacity	10kA d.c. /30kA d.c.	
Standards	UL 2579, UL 248-1	
Application	For protection of photovoltaic modules.	



CH 10x38 gPV										
Size	I_n [A]	Code No. "standard contacts" 10kA UL	Code No. "standard contacts" 30kA IEC	Code No. "type SU contacts" 30kA IEC	Pre-arcing Joule integral [A ² s] L/R=2ms	Operating Joule integral [A ² s] L/R=2ms	Power dissipation [0,7 x I _n ²] P _d [W]	Power dissipation [I _n ²] P _d [W]	Weight [g]	Packaging [pcs]
10 x 38	0,5		002625134	002625131	0,016	0,068	0,2	0,52	10/12	10/500 SU:10/380
	1		002625138	002625129	1,5	3	0,42	1,0		
	2	002625101	002625065	002625115	1,7	2,3	0,47	1,12		
	3	002625100	002625067	002625113	2,8	5,4	0,65	1,6		
	3,5	002625135	002625068	002625127	2,5	7	0,57	1,4		
	4	002625102	002625069	002625116	3,9	11,7	0,52	1,25		
	5	002625111	002625070	002625124	8	21	0,63	1,49		
	6	002625103	002625071	002625117	10,6	34,6	0,73	1,75		
	7	002625110	002625072	002625114	16	60	0,74	1,74		
	8	002625104	002625073	002625118	17	65	0,8	1,9		
	10	002625105	002625075	002625119	8,3	33	0,97	2,4		
	12	002625106	002625077	002625120	22	73	0,8	1,9		
	13	002625137	002625078	002625128	21	70	1,0	2,3		
	14	002625136	002625079	002625126	28	92	1,3	3,0		
	15	002625112	002625080	002625125	49	145	1,0	2,2		
	16	002625107	002625081	002625121	48	147	1,1	2,6		
	20	002625108	002625085	002625122	86	245	1,3	3,2		
	25*		002625109	002625123	125	289	1,65	4,1		
25		002625139	002625140	110	470	1,65	4,1			



Standard Contacts

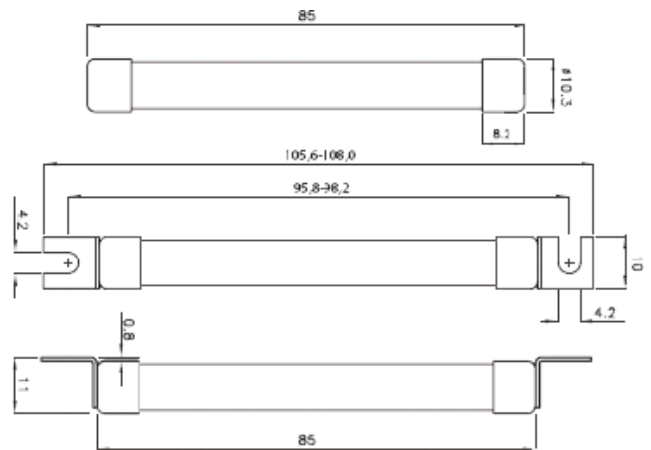
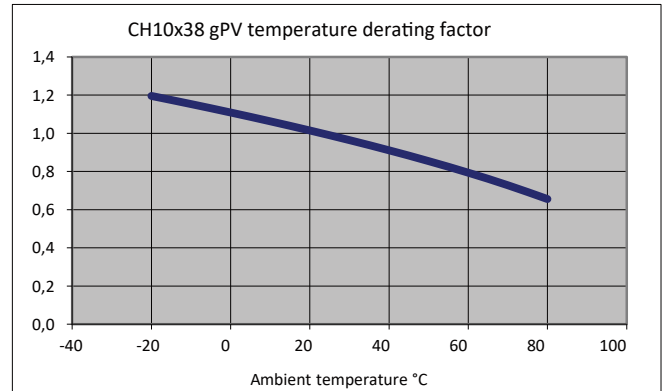


Type SU Contacts

CH 10x85 gPV - Fuse-links



Tamb (°C)	A1
-20	1,196
-10	1,153
0	1,109
10	1,063
20	1,015
30	0,964
40	0,911
50	0,854
60	0,794
70	0,728
80	0,656



General characteristics		UL file: E347771
Rated voltage	1500V d.c. L/R=2ms	
Breaking capacity	10kA d.c. / 30kA d.c.	
Standards	UL 2579, UL 248-1	
Application	For protection of photovoltaic	

CH 10x85 gPV										
Size	In [A]	Code No. "standard contacts" 10kA UL	Code No. "standard contacts" 30kA IEC	Code No. "type SU contacts" 30kA	Pre-arcing Joule integral [A2s] L/R=1ms	Operating Joule integral [A2s] L/R=1ms	Power dissipation [0,7 x In] Pd [W]	Power dissipation [In] Pd [W]	Weight [g]	Packaging [pcs]
10 x 85	2		002625200	002625210	1,5	2,1	1,0	2,4	15/17	110/210
	4	002625201	002625274	002625211	10,2	15,1	1,1	2,7		
	5	002625239	002625276	002625209	10,6	33,2	1,2	3,0		
	6	002625202	002625277	002625212	23,3	50,4	1,2	3,0		
	8	002625203	002625279	002625213	46	109	1,5	3,6		
	10	002625204	002625280	002625214	63	191	1,6	3,7		
	12	002625205	002625282	002625215	24	118	1,4	3,3		
	15	002625240	002625285	002625219	40,6	161	1,4	3,6		
	16	002625206	002625286	002625216	35	164	1,6	3,7		
	20*	002625207	002625287	002625217	39	209	1,7	4,0		
	25*	002625208	002625288	002625218	72	504	2,1	5,2		

* 1200V d.c.

US15M1HEL UltraSafe™ Fuseholders for PV Applications

Touch-safe design increases user safety

Mersen UltraSafe modular fuse holders introduce the next level of safety for Photovoltaic applications for 10x85mm fuses. UltraSafe fuseholders are finger safe up to an IP20 grade of protection, and the 10x85mm features a pull out, pivoting fuse carrier.

The US15M1HEL is designed with terminals to accept standard stock busbar eliminating the need for custom combed busbar, saving cost, time and simplifying installation. The body features industry leading UL94V0 material, providing superior flammability rating with exceptional durability.



Features/Benefits:

- Bus bar termination clamp
- UL94V0 Material Flammability Rating
- Wire terminal for use with 90 °C wire
- Wire range: 6-18 stranded, 10-18 solid.
Copper wire only.
- IP20 Finger Safe
- Din Rail Mounting
- Recommended fuse usage: HP15M

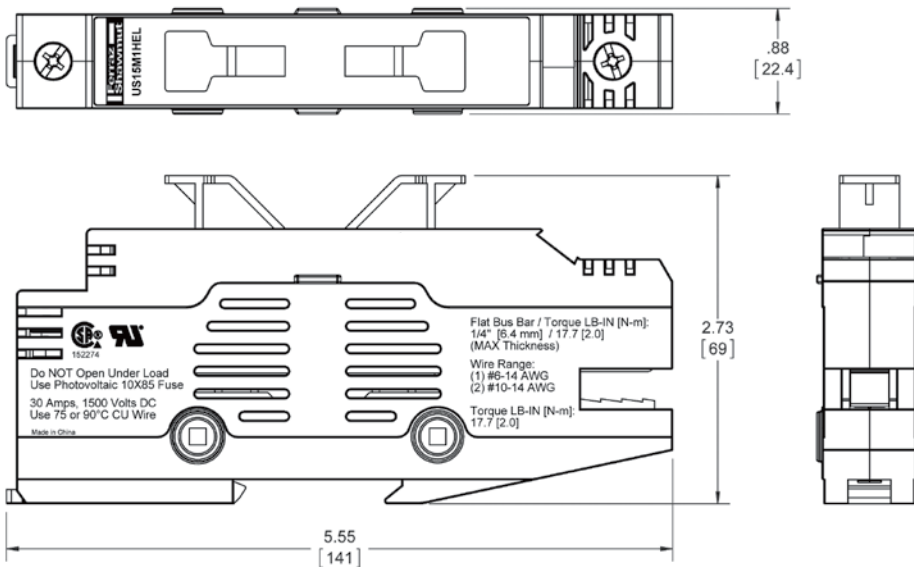
Applications:

- All photovoltaic applications
- Combiner box applications

Ratings

Volts : 1500VDC Maximum
Amps : 30A Maximum
SCCR : 50kA

Dimensions:



Approvals:

- UL Recognized Component, evaluated to UL 4248-18



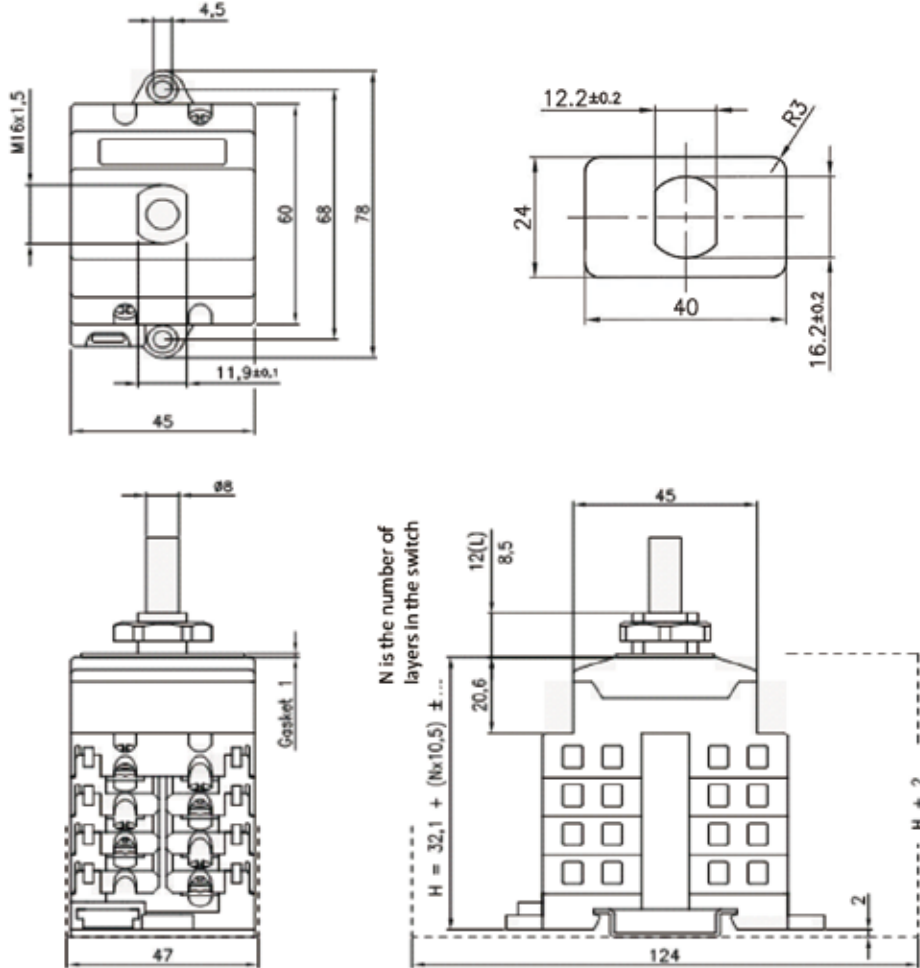
IEC60947-3 直流開關 PV1

Amp Ratings Santon IEC 60947 1&3 Means certified
Means calculated ratings

Switch type	XA	XBE	XBE+	XBE+	XB	XBHP	XBHP+	XBHP+	XBHP+	XC	XC	XC+	XC+	XBC+	XBCH+
Deck per + po	1	1	1	1	1	1	1	1	1	1	1	1	1	1	1
Deck per - pol	1	1	1	1	1	1	1	1	1	1	1	1	1	1	1
Certified for	DC 21 B	DC 21 B			DC 21 B	DC 21 B				DC 21 B	DC 21 B				
Certified for		PV 1	PV 1				PV 1 IEC	PV 1 CCC				PV 1	PV 1	PV 1	PV 1
Certified for				PV 2					PV 2						
Certified for				AS					AS						
# poles	12	6	8	8	6	6	8	8	8	8	8	8	8	8	8
CCC	Yes	Yes	Yes	Yes	Yes	Yes	Yes	Yes	Yes	Yes	Yes	Yes	Yes	Yes	Yes
Volt															
1500											20		20		20
1450											23		23		23
1400											26		26		26
1350											29		29		29
1300											32		32		32
1250											35		35		35
1200							20	20	7.5		38		38		38
1150							22.5	22.5	8.75		41		41		41
1100			10	5		10	25	25	10	10	44		44		44
1050			13	6.5		15	27.5	27.5	11.25	25	47		47		47
1000	16	10	16	8	16	20	30	30	12.5	40	50	50	50	50	50
950	17.3	11.25	18.25	9.125	17.3	22.5	32.5	32.5	14.4	40	50	52.5	52.5	52.5	52.5
900	18.7	12.5	20.5	10.25	18.7	25	35	35	16.25	40	50	55	55	55	55
850	20	13.75	22.75	11.375	20	27.5	37.5	37.5	18.2	40	50	57.5	57.5	57.5	57.5
800	25	15	25	12.5	25	30	40	40	20	40	50	60	60	60	60
750	27.3	18.3	29.2	14.6	26.7	32.5	42.5	42.5	22.5	40	50	60	60	60	60
700	29.7	21.7	33.4	16.7	28.4	35	45	45	25	40	50	60	60	60	60
650	32	25	37.5	18.75	30	37.5	47.5	47.5	27.5	40	50	60	60	60	60
600	32	25	41.7	20.85	33	40	50	60	30	40	50	60	60	60	60
550	32	25	45.9	22.95	36	42.5	50	50	30	40	50	60	60	60	60
500	32	25	50	25	39	45	50	50	30	40	50	60	60	60	60
450	32	25	50	25	42	45	50	50	30	40	50	60	60	60	60
400	32	25	50	25	45	45	50	50	30	40	50	60	60	60	60
350	32	25	50	25	45	45	50	50	30	40	50	60	60	60	60
300	32	25	50	25	45	45	50	50	30	40	50	60	60	60	60
250	32	25	50	25	45	45	50	50	30	40	50	60	60	60	60
200	32	25	50	25	45	45	50	50	30	40	50	60	60	60	60
150	32	25	50	25	45	45	50	50	30	40	50	60	60	60	60
100	32	25	50	25	45	45	50	50	30	40	50	60	60	60	60
50	32	25	50	25	45	45	50	50	30	40	50	60	60	60	60

UL508i RATED SWITCHES (cCSAus)

SANTON	UL 508 i ratings										
Type	XA	XBUE	XBU	XBUHP	X	XC UL	XC UL	XC UL	XC UL	XC UL	
# circuits +/-	1-6	1-4	1-4	1-4	1-6	1-4	1-4	1-4	1-6	1-3	
# decks/circuit	2	2	2	2	2	2	2	2	2	3	
Combine 2 - poles	No	No	No	No	No	No	No	No	No	No	
# poles	2-12	2-8	2-8	2-8	2-12	2-8	2-8	2-8	2-12	2-6	
CCC	Yes	Yes	Yes	Yes	Yes	Yes	Yes	Yes	No	No	
1500 V									13 A	12 A	30 A
1400 V											
1300 V											
1250 V									21 A	21 A	
1200 V											
1100 V											
1000 V						20 A	30 A	30 A		50 A	
900 V											
850 V											
800 V									40 A		
750 V						40 A	50 A	50 A			
700 V											
650 V											
600 V	25 A	25 A	30 A	36 A	30 A						
500 V											
400 V											
300 V											
200 V											
100 V											
0 V											

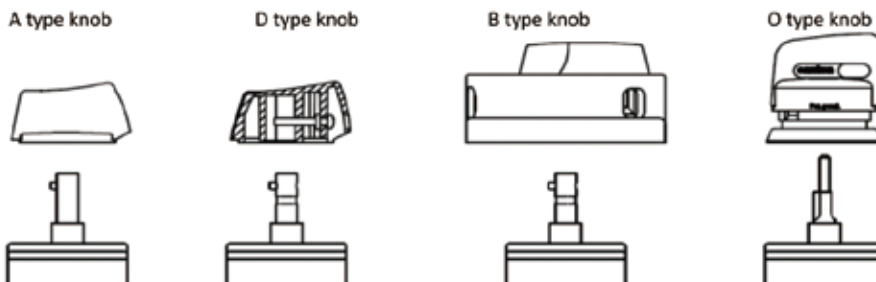


Mounting instructions

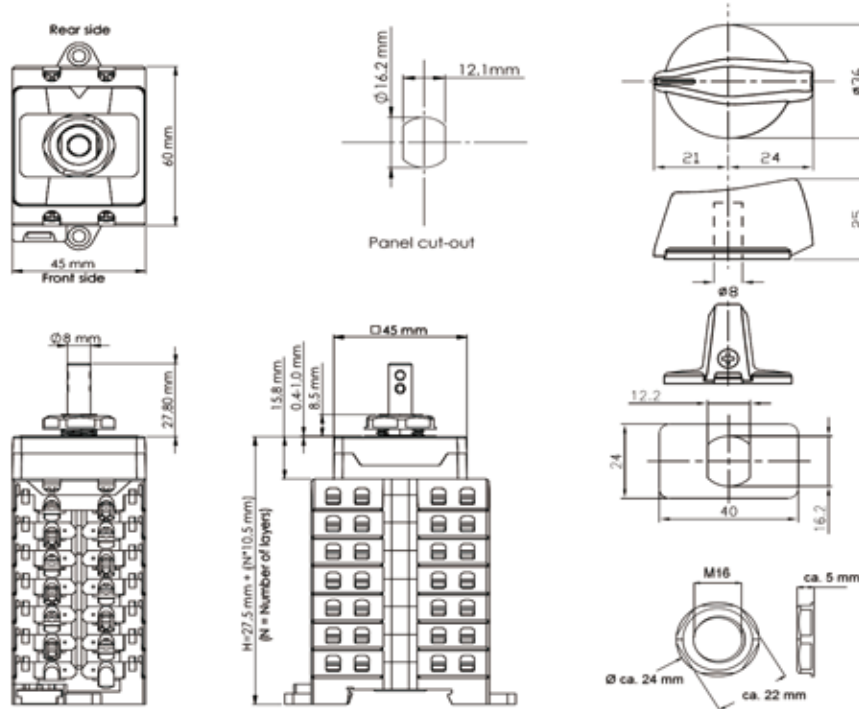
In the application all ratings have to be respected. When building the switch in an enclosure, the space envelope must be respected according to the applicable standards. The terminals, without interconnection can take copper wires up to 6 mm². The recommended Spade Tongue Terminals may have a maximum width of 9 mm. For CSA and UL applications, registered Spade Tongue Terminals must be used. The registration numbers are UL: E13288 and CSA: LR7189 (for instance type 165015 from Tyco). After mounting, the wiring must be checked and the switch must operate smoothly.

Maintenance

- The X type switches are designed for a very long life but it is advised to do some simple yearly maintenance.
- Check the installation for signs of overload or overheating. The terminals may not exceed the limit of 85 °C under full load.
 - By operating the switch a few times (5x) the contacts will clean themselves and the switch will have a longer life.



Dimensions, specifications and data shown could be subject to change without notice.



Mounting instructions

In the application all ratings according to the datasheet have to be respected. After mounting, the wiring must be checked and the switch must operate smoothly. When building the switch in an enclosure, the space envelope must be respected according to the applicable standards.

Maintenance

The X type switches are designed for a very long life but it is advised to do some simple yearly maintenance.

- Check the installation for signs of overload or overheating. The terminals may not exceed the limit of 85°C under full load.
- By operating the switch a few times (5x) the contacts will clean themselves and the switch will have a longer life.

Connection details

Description	Symbol	Values				Unit
Rated operational current (DC poles)	le	16	20	25	32	A dc
Required fine wire cross-section (minimal): IEC60947-1, table 9	A	2,5	4	4	6	mm ²
max power dissipation	P	1,9	3,0	4,8	7,8	W

The terminals, without interconnection can take copper wires up to 6 mm².

The recommended Spade Tongue Terminals may have a maximum width of 9 mm.

For CSA and UL applications, registered Spade Tongue Terminals must be used.

The registration numbers are UL: E13288 and CSA: LR7189 (for instance type 165015 from Tyco).

Recommend Manufacturer	Type number	Wire size (AWG)	Wire size (mm ²)	Color
JST	FVD2-YS4A	AWG 16 – AWG 14	1,0 – 2,5 mm ²	Blue
TE connectivity	C-165012	AWG 16 – AWG 14	1,0 – 2,5 mm ²	Blue
Vogt	3635c	AWG 16 – AWG 14	1,5 – 2,5 mm ²	Blue
TE connectivity	C-165015	AWG 12 - AWG 10	3,0 - 6,0 mm ²	Yellow
Vogt	3652c / 3653c	AWG 12 - AWG 10	3,0 - 6,0 mm ²	Yellow
Santon (JST)	52A1256.35	AWG 8 - AWG 10	10,5mm ² -16mm ² *1	*2

Data Sheet

Santon X-Type switch X100.40DL2E-A / X100.40DL4E-A



X100.40DL2E-A

Layer No.	Front Side		Symbol	Rear Side		On Positions			
	Left	Right		Left	Right	1	2	3	4
4			-1		-1	X			
3				+1	+1	X			
2					+1	X			
1			empty						

X100.40DL4E-A

Layer No.	Front Side		Symbol	Rear Side		On Positions			
	Left	Right		Left	Right	1	2	3	4
7				+2	+2	X			
6					+2	X			
5	-2			-2	-2	X			
4			-1		-1	X			
3				+1	+1	X			
2					+1	X			
1			empty						

Technical data	Symbol	Merit	Unit
rated operational voltage (DC poles)	Ue		1000 V dc
rated operational current (DC poles)	Ie		40 A dc
rated operational voltage (second rating DC poles, if requested)	Ue		V dc
rated operational current (second rating DC poles, if requested)	Ie		A dc
rated operational voltage (third rating DC poles, if requested)	Ue		V dc
rated operational current (third rating DC poles, if requested)	Ie		A dc
rated operational voltage (fourth rating DC poles, if requested)	Ue		V dc
rated operational current (fourth rating DC poles, if requested)	Ie		A dc
method of mounting	both bottom and single hole mounting [D]		
number of DC poles	2/4		
utilization category DC	DC-21B		
actuator	standard black [A]		
positions	OFF at 12 hr, ON at 3 hr [E]		
rated impulse withstand voltage	Uimp		8 kV
insulation voltage	Ui		1000 V
rated thermal current uninterrupted duty	Iu		40 A
rated short-time withstand current (1s)	Icw		750 A
rated short-circuit making capacity	Icm		1.4 kA
rated conditional short-circuit current			5 kA
method of operation	independent manual operation		
minimum required dimensions of enclosures L x W x H* (on DIN-rail H = +2mm) {space envelope}	124 x 47 x 74.1/124 x 47 x 105.6 mm		
* see the drawing for the height of the switch. The number of layers N is:	4/7		
knob operation force		max.	1.4 Nm
tightening torque terminal screws M4, min. - max.		1.5	1.7 Nm
tightening torque panel mounting nut, min. - max.		2.0	2.5 Nm
tightening torque M3 screw in the standard black knob, min. - max.		0.5	0.7 Nm
ambient temperature allowed between	- 40 to + 70 °C		
storage temperature allowed between	- 40 to + 80 °C		
maximum relative humidity, without condensation at 20°C	90 %		
pollution degree	2		
IP rating terminals	IP20		
IP rating gland of the shaft in case of single hole panel mounting	IP65		
rated operational voltage (AC poles)	Ue		V ac
rated operational current (AC poles)	Ie		A ac
number of AC poles (for general use)			
minimum required fine wire cross-section: IEC60947-1, table 9	mm ²		
auxiliary contact(s), AC15	No auxiliary contact		
auxiliary contact ratings			
weight	221/315 g		
accessories:	-		

Data Sheet

Santon X-Type switch XA100.16DL10E-A / XA100.16DL12E-A



XA100.16DL10E-A

Layer No.	Front Side		Rear Side		On Positions			
	Left	Right	Left	Right	1	2	3	4
11	-5	---	---	-5		X		
10	+5	---	---	+5	X			
9	+4	---	---	+4		X		
8	-4	---	---	-4	X			
7	-3	---	---	-3		X		
6	+3	---	---	+3	X			
5	+2	---	---	+2		X		
4	-2	---	---	-2	X			
3	-1	---	---	-1		X		
2	+1	---	---	+1	X			
1		empty						

XA100.16DL12E-A

Layer No.	Front Side		Rear Side		On Positions			
	Left	Right	Left	Right	1	2	3	4
13	+6	---	---	+6		X		
12	-6	---	---	-6	X			
11	-5	---	---	-5		X		
10	+5	---	---	+5	X			
9	+4	---	---	+4		X		
8	-4	---	---	-4	X			
7	-3	---	---	-3		X		
6	+3	---	---	+3	X			
5	+2	---	---	+2		X		
4	-2	---	---	-2	X			
3	-1	---	---	-1		X		
2	+1	---	---	+1	X			
1		empty						

Technical data	Symbol	Merit	Unit
rated operational voltage (DC poles)	Ue		1000 V dc
rated operational current (DC poles)	Ie		16 A dc
rated operational voltage (second rating DC poles, if requested)	Ue		850 V dc
rated operational current (second rating DC poles, if requested)	Ie		20 A dc
rated operational voltage (third rating DC poles, if requested)	Ue		800 V dc
rated operational current (third rating DC poles, if requested)	Ie		25 A dc
rated operational voltage (fourth rating DC poles, if requested)	Ue		650 V dc
rated operational current (fourth rating DC poles, if requested)	Ie		32 A dc
method of mounting	both bottom and single hole mounting [D]		
number of DC poles			10/12
utilization category DC	DC-21B		
actuator	standard black [A]		
positions	OFF at 12 hr, ON at 3 hr [E]		
rated impulse withstand voltage	Uimp		8 kV
insulation voltage	Ui		1000 V
rated thermal current uninterrupted duty	Iu		25 A
rated short-time withstand current (1s)	Icw		750 A
rated short-circuit making capacity	Icm		1,4 kA
rated conditional short-circuit current			5 kA
method of operation	independent manual operation		
minimum required dimensions of enclosures L x W x H* (on DIN-rail H = +2mm)			124 x 47 x 147,6 / 124 x 47 x 168,6 mm
* see the drawing for the height of the switch. The number of layers N is:			11/13
knob operation force		max.	1,4 Nm
tightening torque terminal screws M4 , min. - max.		1,5	1,7 Nm
tightening torque panel mounting nut, min. - max.		2,0	2,5 Nm
tightening torque M3 screw in the standard black knob, min. - max.		0,5	0,7 Nm
ambient temperature allowed between			- 40 to + 70 °C
storage temperature allowed between			- 40 to + 80 °C
maximum relative humidity, without condensation at 20°C			90 %
pollution degree			2
IP rating terminals			IP20
IP rating gland of the shaft in case of single hole panel mounting			IP65
rated operational voltage (AC poles)	Ue		V ac
rated operational current (AC poles)	Ie		A ac
number of AC poles (for general use)			
minimum required fine wire cross-section: IEC60947-1, table 9			mm ²
auxiliary contact(s), AC15			No auxiliary contact
auxiliary contact ratings			
weight			453/522 g
accessories:			-
			-

Data Sheet

Santon X-Type switch XA100.25DL2E-A / XA100.25DL4E-A

Switch disconnecter for solar application according to IEC 60947-1&3 by Dekra (KEMA) and CCC (CQC)



XA100.25DL2E-A

Terminals Scheme									
Layer No.	Front Side		Symbol	Rear Side		On Positions			
	Left	Right		Left	Right	1	2	3	4
4			-1		-1				X
3					+1				X
2					+1				X
1			empty						

XA100.25DL4E-A

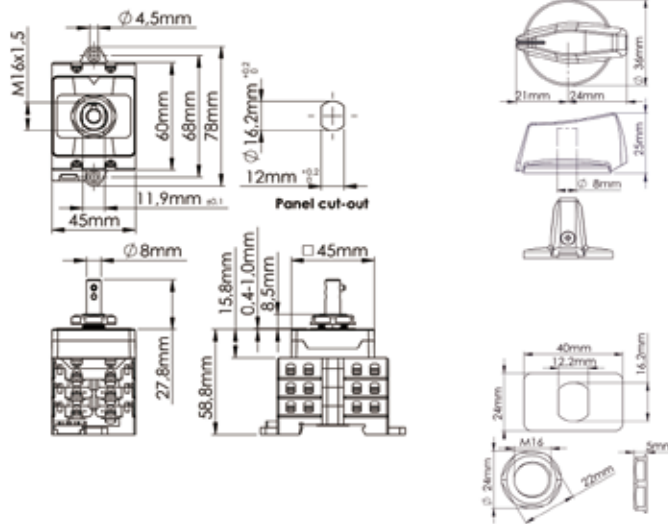
Terminals Scheme									
Layer No.	Front Side		Symbol	Rear Side		On Positions			
	Left	Right		Left	Right	1	2	3	4
7					+2				X
6					+2				X
5		-2			-2				X
4			-1		-1				X
3					+1				X
2					+1				X
1			empty						

Technical data	Symbol	Merit	Unit
rated operational voltage (DC poles)	Ue		1000 V dc
rated operational current (DC poles)	Ie		25 A dc
rated operational voltage (second rating DC poles, if requested)	Ue		0 / 850 V dc
rated operational current (second rating DC poles, if requested)	Ie		0 / 20 A dc
rated operational voltage (third rating DC poles, if requested)	Ue		0 / 800 V dc
rated operational current (third rating DC poles, if requested)	Ie		0 / 25 A dc
rated operational voltage (fourth rating DC poles, if requested)	Ue		0 / 650 V dc
rated operational current (fourth rating DC poles, if requested)	Ie		0 / 32 A dc
method of mounting	both bottom and single hole mounting [D]		
number of DC poles	2/4		
utilization category DC			
actuator	standard black [A]		
positions	OFF at 12 hr, ON at 3 hr [E]		
rated impulse withstand voltage	Uimp		8 kV
insulation voltage	Ui		1000 V
rated thermal current uninterrupted duty	Iu		25 A
rated short-time withstand current (1s)	Icw		750 A
rated short-circuit making capacity	Icm		1,4 kA
rated conditional short-circuit current			5 kA
method of operation	independent manual operation		
minimum required dimensions of enclosures L x W x H* (on DIN-rail H = +2mm) {space envelope}	124 x 47 x 74 / 124 x 47 x 105,6		mm
* see the drawing for the height of the switch. The number of layers N is:	4/7		
knob operation force		max.	1,4 Nm
tightening torque terminal screws M4, min. - max.		1,5	1,7 Nm
tightening torque panel mounting nut, min. - max.		2,0	2,5 Nm
tightening torque M3 screw in the standard black knob, min. - max.		0,5	0,7 Nm
ambient temperature allowed between			- 25 to + 70 °C
storage temperature allowed between			- 40 to + 80 °C
maximum relative humidity, without condensation at 20 °C			90 %
pollution degree			2
IP rating terminals			IP20
IP rating gland of the shaft in case of single hole panel mounting			IP65
rated operational voltage (AC poles)	Ue		V ac
rated operational current (AC poles)	Ie		A ac
number of AC poles (for general use)			
minimum required fine wire cross-section: IEC60947-1, table 9	mm ²		
auxiliary contact(s), AC15	No auxiliary contact		
auxiliary contact ratings			
weight			221 / 315 g
accessories:	-		

Data Sheet

XBE+0210/2

Certified for IEC 60947 1&3
DC-PV1 and CCC (CQC)



The tolerances for the Santon datasheet are according to ISO 1101, ISO 8015, ISO 2768 1 class m, unless stated otherwise.

Technical data	Symbol	Ratings:	I	II	III	IV	Unit	
Rated operational voltage	Ue		1100	1000	800	500	V dc	
Rated operational current	Ie		10	16	25	50	A dc	
Required fine wire cross-section (minimal)*:			2,5	2,5	4	10	mm ²	
*IEC60947-1, table 9								
Number of DC poles						2		
Utilization category DC						DC-PV1		
Pollution degree						2		
IP rating terminals						IP20		
Tightening torque terminal screws M4 (min. - max.)					1,5	1,7	Nm	
Method of mounting								
IP rating of the shaft in case of single hole mounting						IP65		
Tightening torque panel mounting nut (min. - max.)					2,0	2,5	Nm	
Panel thickness between					1	4	mm	
Positions			12 (OFF) and 3 o'clock (ON)					
Actuator			Standard A knob with long screw to fix in shaft					
Method of operation			Independent manual operation					
Actuator operation force (max.)						1,4	Nm	
Tightening torque M3 screw in the actuator (min. - max.)					0,50	0,70	Nm	
Rated impulse withstand voltage								
	Uimp					8	kV	
Insulation voltage								
	Ui					1100	V	
Rated thermal current uninterrupted duty								
	Iu					50	A	
Rated short-time withstand current (1s)								
	Icw					700	A	
Rated short-circuit making capacity								
	Icm					1	kA	
Rated conditional short-circuit current								
	Isc					5	kA	
Minimum required dimensions of enclosures L x W x D* {space envelope}								
			124	x	47	x	50	mm
* see the drawing for the height of the switch. The number of layers N is:								
						2		
Weight								
						ca. 149	g	
Allowed ambient temperature (min. - max.)								
	Tambient					-40	- 70 °C	
Allowed storage temperature (min. - max.)								
	Tstorage					-40	- 85 °C	
Relative humidity (max.), without condensation at 20°C								
	RH					90	%	

Recommend Manufacturer	Type number	Wire size (AWG)	Wire size (mm ²)	Color
JST	FVD2-YS4A	AWG 16 – AWG 14	1,0 – 2,5 mm ²	Blue
TE connectivity	C-165012	AWG 16 – AWG 14	1,0 – 2,5 mm ²	Blue
Vogt	3635c	AWG 16 – AWG 14	1,5 – 2,5 mm ²	Blue
TE connectivity	C-165015	AWG 12 - AWG 10	3,0 - 6,0 mm ²	Yellow
Vogt	3652c / 3653c	AWG 12 - AWG 10	3,0 - 6,0 mm ²	Yellow
Santon (JST)	52A1256.35	AWG 8 - AWG 10	10,5mm ² -16mm ² *1	*2

Terminals Scheme									
Layer No.	Front Side		Symbol	Rear Side		Positions			
	Left	Right		Left	Right	1	2	3	4
9									
8									
7									
6									
5									
4									
3	-1			-1	I				0
2		+1		+1	I				0
1			Empty						

(I = Contact is closed, O = Contact is open)

Mounting instructions

In the application all ratings according to the datasheet have to be respected. After mounting, the wiring must be checked and the switch must operate smoothly. When building the switch in an enclosure, the space envelope must be respected according to the applicable standards.

Maintenance

The X type switches are designed for a very long life but it is advised to do some simple yearly maintenance.
- Check the installation for signs of overload or overheating. The terminals may not exceed the limit of 85°C under full load.

- By operating the switch a few times (5x) the contacts will clean themselves and the switch will have a longer life.

Connection

The terminals, can take copper wires up to 6 mm². The recommended Spade Tongue Terminals may have a maximum width of 9 mm (see table for recommendations)

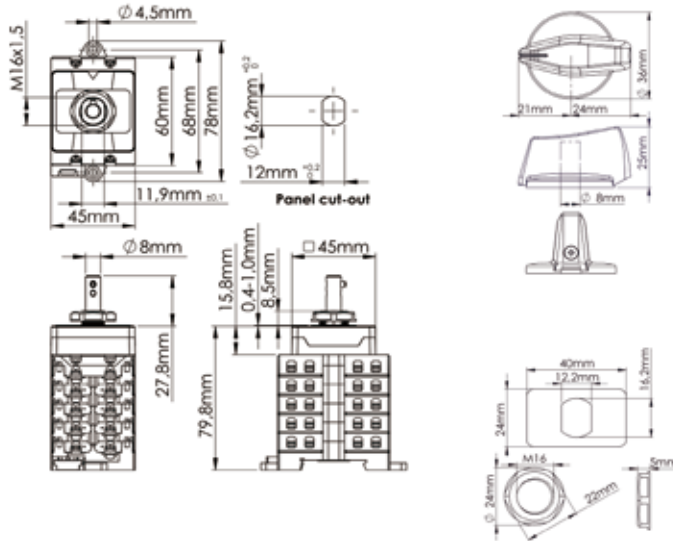
*1 16mm² only with fine stranded wire (or two times 6mm²)

*2 Optional: A yellow finger safe sleeve for the Spade Tongue Terminal (Santon 52A1256.35) can be ordered under item number 52A1564.00

Data Sheet

XBE+0410/2

Certified for IEC 60947 1&3
DC-PV1 and CCC (CQC)



The tolerances for the Santon datasheet are according to ISO 1101, ISO 8015, ISO 2768 1 class m, unless stated otherwise.

Technical data	Symbol	Ratings:	I	II	III	IV	Unit	
Rated operational voltage	Ue		1100	1000	800	500	V dc	
Rated operational current	Ie		10	16	25	50	A dc	
Required fine wire cross-section (minimal)*:			2,5	2,5	4	10	mm ²	
*IEC60947-1, table 9								
Number of DC poles						4		
Utilization category DC						DC-PV1		
Pollution degree						2		
IP rating terminals						IP20		
Tightening torque terminal screws M4 (min. - max.)					1,5 - 1,7		Nm	
Method of mounting								
IP rating of the shaft in case of single hole mounting						IP65		
Tightening torque panel mounting nut (min. - max.)					2,0 - 2,5		Nm	
Panel thickness between					1 - 4		mm	
Positions			12 (OFF) and 3 o'clock (ON)					
Actuator			Standard A knob with long screw to fix in shaft					
Method of operation			Independent manual operation					
Actuator operation force (max.)						1,4	Nm	
Tightening torque M3 screw in the actuator (min. - max.)					0,50 - 0,70		Nm	
Rated impulse withstand voltage								
		Uimp				8	kV	
Insulation voltage								
		Ui				1100	V	
Rated thermal current uninterrupted duty								
		Iu				50	A	
Rated short-time withstand current (1s)								
		Icw				700	A	
Rated short-circuit making capacity								
		Icm				1	kA	
Rated conditional short-circuit current								
		Isc				5	kA	
Minimum required dimensions of enclosures L x W x D* {space envelope}								
			124	x	47	x	71	mm
* see the drawing for the height of the switch. The number of layers N is:								
						4		
Weight								
						ca. 211	g	
Allowed ambient temperature (min. - max.)								
		Tambient				-40 - 70	°C	
Allowed storage temperature (min. - max.)								
		Tstorage				-40 - 85	°C	
Relative humidity (max.), without condensation at 20°C								
		RH				90	%	

Terminals Scheme									
Layer No.	Front Side		Symbol	Rear Side		Positions			
	Left	Right		Left	Right	1	2	3	4
9									
8									
7									
6									
5	+2			+2		I			0
4		-2			-2		I		0
3	-1				-1		I		0
2		+1			+1		I		0
1									

(I = Contact is closed, O = Contact is open)

Mounting instructions

In the application all ratings according to the datasheet have to be respected. After mounting, the wiring must be checked and the switch must operate smoothly. When building the switch in an enclosure, the space envelope must be respected according to the applicable standards.

Maintenance

The X type switches are designed for a very long life but it is advised to do some simple yearly maintenance.
- Check the installation for signs of overload or overheating. The terminals may not exceed the limit of 85°C under full load.
- By operating the switch a few times (5x) the contacts will clean themselves and the switch will have a longer life.

Connection

The terminals, can take copper wires up to 6 mm². The recommended Spade Tongue Terminals may have a maximum width of 9 mm (see table for recommendations)

Recommend Manufacturer	Type number	Wire size (AWG)	Wire size (mm ²)	Color
JST	FVD2-Y54A	AWG 16 - AWG 14	1,0 - 2,5 mm ²	Blue
TE connectivity	C-165012	AWG 16 - AWG 14	1,0 - 2,5 mm ²	Blue
Vogt	3635c	AWG 16 - AWG 14	1,5 - 2,5 mm ²	Blue
TE connectivity	C-165015	AWG 12 - AWG 10	3,0 - 6,0 mm ²	Yellow
Vogt	3652c / 3653c	AWG 12 - AWG 10	3,0 - 6,0 mm ²	Yellow
Santon (JST)	52A1256.35	AWG 8 - AWG 10	10,5mm ² -16mm ² *1	*2

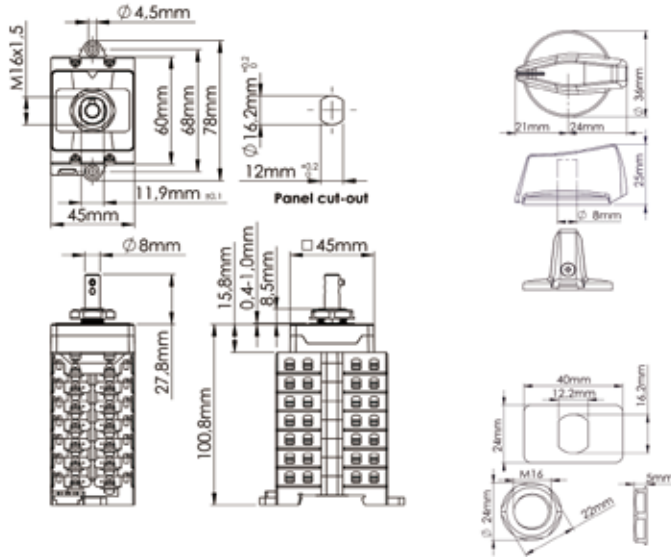
*1 16mm² only with fine stranded wire (or two times 6mm²)

*2 Optional: A yellow finger safe sleeve for the Spade Tongue Terminal (Santon 52A1256.35) can be ordered under item number 52A1564.00

Data Sheet

XBE+0610/2

Certified for IEC 60947 1&3
DC-PV1 and CCC (CQC)



The tolerances for the Santon datasheet are according to ISO 1101, ISO 8015, ISO 2768 1 class m, unless stated otherwise.

Technical data	Symbol	Ratings:	I	II	III	IV	Unit	
Rated operational voltage	Ue		1100	1000	800	500	V dc	
Rated operational current	Ie		10	16	25	50	A dc	
Required fine wire cross-section (minimal)*:			2,5	2,5	4	10	mm ²	
*IEC60947-1, table 9								
Number of DC poles						6		
Utilization category DC						DC-PV1		
Pollution degree						2		
IP rating terminals						IP20		
Tightening torque terminal screws M4 (min. - max.)					1,5	1,7	Nm	
Method of mounting								
IP rating of the shaft in case of single hole mounting						IP65		
Tightening torque panel mounting nut (min. - max.)					2,0	2,5	Nm	
Panel thickness between					1	4	mm	
Positions			12 (OFF) and 3 o'clock (ON)					
Actuator			Standard A knob with long screw to fix in shaft					
Method of operation			Independent manual operation					
Actuator operation force (max.)						1,4	Nm	
Tightening torque M3 screw in the actuator (min. - max.)					0,50	0,70	Nm	
Rated impulse withstand voltage	Uimp					8	kV	
Insulation voltage	Ui					1100	V	
Rated thermal current uninterrupted duty	Iu					50	A	
Rated short-time withstand current (1s)	Icw					700	A	
Rated short-circuit making capacity	Icm					1	kA	
Rated conditional short-circuit current	Isc					5	kA	
Minimum required dimensions of enclosures L x W x D* (space envelope)								
			124	x	47	x	92	mm
* see the drawing for the height of the switch. The number of layers N is:								
						6		
Weight						ca. 274	g	
Allowed ambient temperature (min. - max.)	Tambient					-40 - 70	°C	
Allowed storage temperature (min. - max.)	Tstorage					-40 - 85	°C	
Relative humidity (max.), without condensation at 20°C	RH					90	%	

Terminals Scheme							
Layer No.	Front Side		Symbol	Rear Side		Positions	
	Left	Right		Left	Right	1	2 3 4
9							
8							
7	-3			-3		I	0
6		+3			+3	I	0
5	+2			+2		I	0
4		-2			-2	I	0
3	-1			-1		I	0
2		+1			+1	I	0
1			Empty				

(I = Contact is closed, O = Contact is open)

Mounting instructions

In the application all ratings according to the datasheet have to be respected. After mounting, the wiring must be checked and the switch must operate smoothly. When building the switch in an enclosure, the space envelope must be respected according to the applicable standards.

Maintenance

The X type switches are designed for a very long life but it is advised to do some simple yearly maintenance.
- Check the installation for signs of overload or overheating. The terminals may not exceed the limit of 85°C under full load.
- By operating the switch a few times (5x) the contacts will clean themselves and the switch will have a longer life.

Connection

The terminals, can take copper wires up to 6 mm². The recommended Spade Tongue Terminals may have a maximum width of 9 mm (see table for recommendations)

Recommend Manufacturer	Type number	Wire size (AWG)	Wire size (mm ²)	Color
JST	FVD2-YS4A	AWG 16 - AWG 14	1,0 - 2,5 mm ²	Blue
TE connectivity	C-165012	AWG 16 - AWG 14	1,0 - 2,5 mm ²	Blue
Vogt	3635c	AWG 16 - AWG 14	1,5 - 2,5 mm ²	Blue
TE connectivity	C-165015	AWG 12 - AWG 10	3,0 - 6,0 mm ²	Yellow
Vogt	3652c / 3653c	AWG 12 - AWG 10	3,0 - 6,0 mm ²	Yellow
Santon (JST)	52A1256.35	AWG 8 - AWG 10	10,5mm ² -16mm ² *1	*2

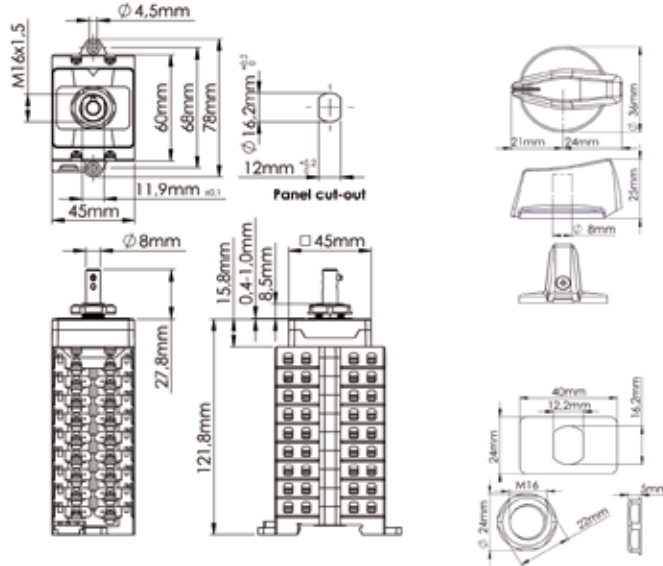
*1 16mm² only with fine stranded wire (or two times 6mm²)

*2 Optional: A yellow finger safe sleeve for the Spade Tongue Terminal (Santon 52A1256.35) can be ordered under item number 52A1564.00

Data Sheet

XBE+0810/2

Certified for IEC 60947 1&3
DC21B and CCC (CQC)



The tolerances for the Santon datasheet are according to ISO 1101, ISO 8015, ISO 2768 1 class m, unless stated otherwise.

Technical data	Symbol	Ratings:	I	II	III	IV	Unit	
Rated operational voltage	Ue		1100	1000	800	500	V dc	
Rated operational current	Ie		10	16	25	50	A dc	
Required fine wire cross-section (minimal)*:			2,5	2,5	4	10	mm ²	
*IEC60947-1, table 9								
Number of DC poles						8		
Utilization category DC						DC-PV1		
Pollution degree						2		
IP rating terminals						IP20		
Tightening torque terminal screws M4 (min. - max.)				1,5	-	1,7	Nm	
Method of mounting								
IP rating of the shaft in case of single hole mounting						IP65		
Tightening torque panel mounting nut (min. - max.)				2,0	-	2,5	Nm	
Panel thickness between				1	-	4	mm	
Positions				12 (OFF) and 3 o'clock (ON)				
Actuator				Standard A knob with long screw to fix in shaft				
Method of operation				Independent manual operation				
Actuator operation force (max.)						1,4	Nm	
Tightening torque M3 screw in the actuator (min. - max.)				0,50	-	0,70	Nm	
Rated impulse withstand voltage	Uimp					8	kV	
Insulation voltage	Ui					1100	V	
Rated thermal current uninterrupted duty	Iu					50	A	
Rated short-time withstand current (1s)	Icw					700	A	
Rated short-circuit making capacity	Icm					1	kA	
Rated conditional short-circuit current	Isc					5	kA	
Minimum required dimensions of enclosures L x W x D* {space envelope}			124	x	47	x	92	mm
* see the drawing for the height of the switch. The number of layers N is:						6		
Weight						ca. 274	g	
Allowed ambient temperature (min. - max.)	Tambient			-40	-	70	°C	
Allowed storage temperature (min. - max.)	Tstorage			-40	-	85	°C	
Relative humidity (max.), without condensation at 20 °C	RH					90	%	

Terminals Scheme							
Layer No.	Front Side		Symbol	Rear Side		Positions	
	Left	Right		Left	Right	1	2
9	+4			+4		I	0
8		-4			-4	I	0
7	-3			-3		I	0
6		+3			+3	I	0
5	+2			+2		I	0
4		-2			-2	I	0
3	-1			-1		I	0
2		+1			+1	I	0
1			Empty				

(I = Contact is closed, O = Contact is open)

Mounting instructions

In the application all ratings according to the datasheet have to be respected. After mounting, the wiring must be checked and the switch must operate smoothly. When building the switch in an enclosure, the space envelope must be respected according to the applicable standards.

Maintenance

The X type switches are designed for a very long life but it is advised to do some simple yearly maintenance.

- Check the installation for signs of overload or overheating. The terminals may not exceed the limit of 85°C under full load.

- By operating the switch a few times (5x) the contacts will clean themselves and the switch will have a longer life.

Connection

The terminals, can take copper wires up to 6 mm².

The recommended Spade Tongue Terminals may have a maximum width of 9 mm (see table for recommendations)

Recommend Manufacturer	Type number	Wire size (AWG)	Wire size (mm ²)	Color
JST	FVD2-YS4A	AWG 16 - AWG 14	1,0 - 2,5 mm ²	Blue
TE connectivity	C-165012	AWG 16 - AWG 14	1,0 - 2,5 mm ²	Blue
Vogt	3635c	AWG 16 - AWG 14	1,5 - 2,5 mm ²	Blue
TE connectivity	C-165015	AWG 12 - AWG 10	3,0 - 6,0 mm ²	Yellow
Vogt	3652c / 3653c	AWG 12 - AWG 10	3,0 - 6,0 mm ²	Yellow
Santon (JST)	52A1256.35	AWG 8 - AWG 10	10,5mm ² -16mm ² *1	*2

*1 16mm² only with fine stranded wire (or two times 6mm²)

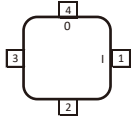
*2 Optional: A yellow finger safe sleeve for the Spade Tongue Terminal (Santon 52A1256.35) can be ordered under item number 52A1564.00

Data Sheet

XBHP+0210/2, XBHP+0410/2, XBHP+0610/2

XBHP+0210/2

Layer No.	Front Side		Symbol	Rear Side		Positions			
	Left	Right		Left	Right	1	2	3	4
9									
8									
7									
6									
5									
4									
3	-1			-1		I			0
2		+1			+1	I			0
1			Empty						



XBHP+0410/2

Layer No.	Front Side		Symbol	Rear Side		Positions			
	Left	Right		Left	Right	1	2	3	4
9									
8									
7									
6									
5	+2			+2		I			0
4		-2			-2	I			0
3	-1			-1		I			0
2		+1			+1	I			0
1			Empty						

XBHP+0610/2

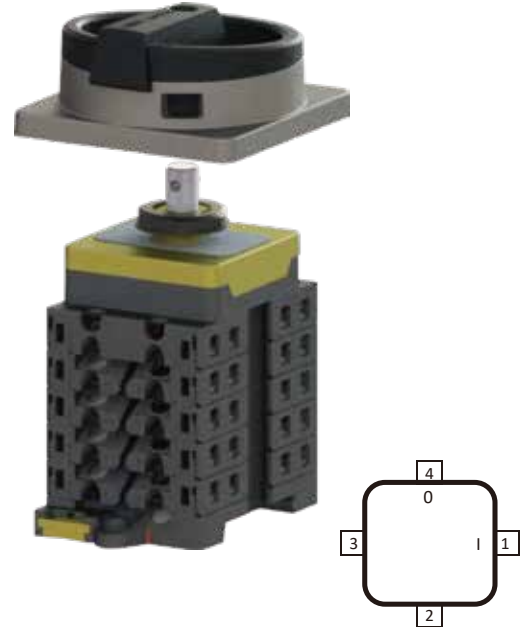
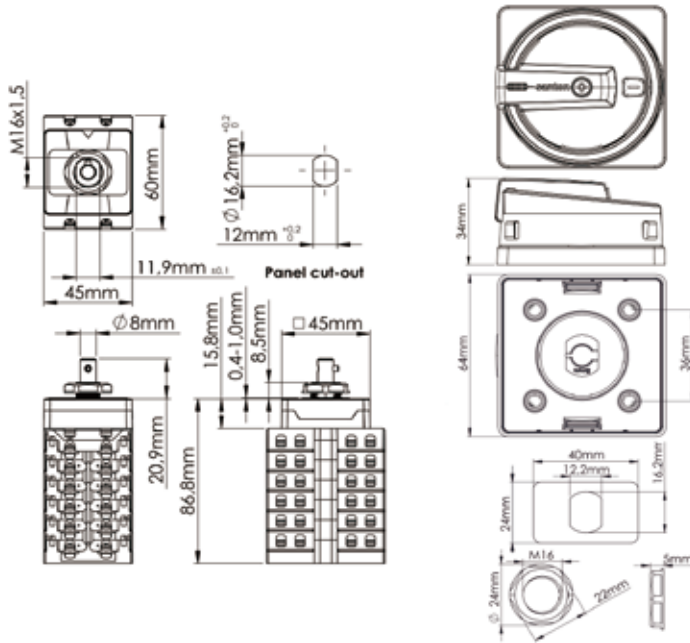
Layer No.	Front Side		Symbol	Rear Side		Positions			
	Left	Right		Left	Right	1	2	3	4
9									
8									
7	-3			-3		I			0
6		+3			+3	I			0
5	+2			+2		I			0
4		-2			-2	I			0
3	-1			-1		I			0
2		+1			+1	I			0
1			Empty						

(I = Contact is closed, O = Contact is open)

Technical data	Symbol	Ratings:	I	II	III	IV	Unit
Rated operational voltage	Ue		1200	1000	800	600	V dc
Rated operational current	Ie		20	30	40	50	A dc
Required fine wire cross-section (minimal)*:			4	6	10	10	mm ²
*IEC60947-1, table 9							
Number of DC poles						2,4,6	
Utilization category DC						DC-PV1	
Pollution degree						2	
IP rating terminals						IP20	
Tightening torque terminal screws M4 (min. - max.)						1,5 - 1,7	Nm
Method of mounting							
IP rating of the shaft in case of single hole mounting						IP65	
Tightening torque panel mounting nut (min. - max.)						2,0 - 2,5	Nm
Panel thickness between						1 - 4	mm
Positions			12 (OFF) and 3 o'clock (ON)				
Actuator			Standard A knob with long screw to fix in shaft				
Method of operation							
Actuator operation force (max.)						1,4	Nm
Tightening torque M3 screw in the actuator (min. - max.)						0,50 - 0,70	Nm
Rated impulse withstand voltage	Uimp					8	kV
Insulation voltage	Ui					1200	V
Rated thermal current uninterrupted duty	Iu					50	A
Rated short-time withstand current (1s)	Icw					700	A
Rated short-circuit making capacity	Icm					1	kA
Rated conditional short-circuit current	Isc					5	kA
Minimum required dimensions of enclosures L x W x D* {space envelope}							
			124	x	47	x	50/71/92 mm
* see the drawing for the height of the switch. The number of layers N is:							
						2	
Weight						ca. 149	g
Allowed ambient temperature (min. - max.)	Tambient		-40	-	70		°C
Allowed storage temperature (min. - max.)	Tstorage		-40	-	85		°C
Relative humidity (max.), without condensation at 20°C	RH					90	%

Data Sheet

XBUHP3610/5



The tolerances for the Santon datasheet are according to ISO 1101, ISO 8015, ISO 2768 1 class m, unless stated otherwise.

Technical data	Symbol	Ratings:	r	Unit
Rated operational voltage	Ue		600	V dc
Rated operational current	Ie		36	A dc
Power dissipation (max)				
Required fine wire cross-section (minimal):			8	AWG
Number of DC poles			6	
Utilization category DC		Photovoltaic disconnect switch		
Pollution degree			2	
IP rating terminals			IP20	
Tightening torque terminal screws M4 (min. - max.)			1,5 - 1,7	Nm
Method of mounting				
IP rating of the shaft in case of single hole mounting			IP65	
Tightening torque panel mounting nut (min. - max.)			2,0 - 2,5	Nm
Panel thickness between			1 - 4	mm
Positions			12 (OFF) and 3 o'clock (ON)	
Actuator			knob with padlock and top screw, black/grey [G],	
Method of operation			Independent manual operation	
Actuator operation force (max.)			1,4	Nm
Tightening torque M3 screw in the actuator (min. - max.)			0,20 - 0,30	Nm
Rated impulse withstand voltage	Uimp		8	kV
Insulation voltage	Ui		600	V
Rated thermal current uninterrupted duty	Iu		36	A
Rated short-time withstand current (1s)	Icw		700	A
Rated short-circuit making capacity	Icm		1	kA
Rated conditional short-circuit current	Isc		5	kA
Suitable for use on a circuit capable of delivering not more than 5,000 Amperes on a 600Vdc System when protected by Fuses				
Minimum required dimensions of enclosures L x W x D* {space envelope}			124 x 47 x 97	mm
* see the drawing for the height of the switch. The number of layers N is:			6	
Weight			ca. 262	g
Allowed ambient temperature (min. - max.)	Tambient		-40 - 70	°C
Allowed storage temperature (min. - max.)	Tstorage		-40 - 85	°C
Relative humidity (max.), without condensation at 20°C	RH		90	%

Use 75°C wires, min. 10AWG, torque 20.4 Lb-in (1,7 Nm)

Recommend Manufacturer	Type number	Wire size (AWG)	Wire size (mm ²)	Color
JST	FVD2-YS4A	AWG 16 - AWG 14	1,0 - 2,5 mm ²	Blue
TE connectivity	C-165012	AWG 16 - AWG 14	1,0 - 2,5 mm ²	Blue
Vogt	3635c	AWG 16 - AWG 14	1,5 - 2,5 mm ²	Blue
TE connectivity	C-165015	AWG 12 - AWG 10	3,0 - 6,0 mm ²	Yellow
Vogt	3652c / 3653c	AWG 12 - AWG 10	3,0 - 6,0 mm ²	Yellow
Santon (JST)	52A1256.35	AWG 8 - AWG 10	10,5mm ² -16mm ² *1	*2

Terminals Scheme									
Layer No.	Front Side		Symbol	Rear Side		Positions			
	Left	Right		Left	Right	1	2	3	4
9									
8									
7									
6	-3			-3		I			0
5		+3			+3	I			0
4	+2				+2	I			0
3		-2			-2	I			0
2	-1				-1	I			0
1		+1			+1	I			0

(I = Contact is closed, 0 = Contact is open)

Mounting instructions

In the application all ratings according to the datasheet have to be respected. After mounting, the wiring must be checked and the switch must operate smoothly. When building the switch in an enclosure, the space envelope must be respected according to the applicable standards.

Maintenance

The X type switches are designed for a very long life but it is advised to do some simple yearly maintenance.
- Check the installation for signs of overload or overheating. The terminals may not exceed the limit of 85°C under full load.
- By operating the switch a few times (5x) the contacts will clean themselves and the switch will have a longer life.

Connection

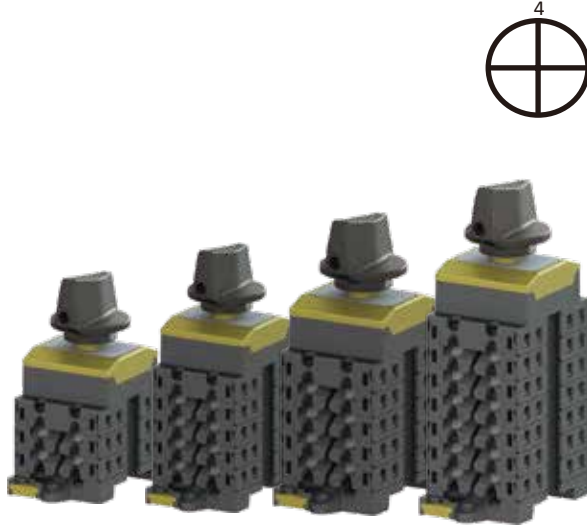
The terminals, can take copper wires up to 6 mm². The recommended Spade Tongue Terminals may have a maximum width of 9 mm (see table for recommendations)

*1 16mm² only with fine stranded wire (or two times 6mm²)

*2 Optional: A yellow finger safe sleeve for the Spade Tongue Terminal (Santon 52A1256.35) can be ordered under item number 52A1564.00

Data Sheet

XC+150.20DL2E-D / XC+150.20DL4E-D / XC+150.20DL6E-D / XC+150.20DL8E-D



XC+150.20DL2E-D

Layer No.	Front Side		Symbol	Rear Side		On Positions			
	Left	Right		Left	Right	1	2	3	4
3	-1			-1				X	
2		+1			+1	X			
1			empty						

XC+150.20DL4E-D

Layer No.	Front Side		Symbol	Rear Side		On Positions			
	Left	Right		Left	Right	1	2	3	4
5	+2			+2				X	
4		-2			-2	X			
3	-1			-1				X	
2		+1			+1	X			
1			empty						

XC+150.20DL6E-D

Layer No.	Front Side		Symbol	Rear Side		On Positions			
	Left	Right		Left	Right	1	2	3	4
7	-3			-3				X	
6		+3			+3	X			
5	+2			+2				X	
4		-2			-2	X			
3	-1			-1				X	
2		+1			+1	X			
1			empty						

XC+150.20DL8E-D

Layer No.	Front Side		Symbol	Rear Side		On Positions			
	Left	Right		Left	Right	1	2	3	4
9	+4			+4				X	
8		-4			-4	X			
7	-3			-3				X	
6		+3			+3	X			
5	+2			+2				X	
4		-2			-2	X			
3	-1			-1				X	
2		+1			+1	X			
1			empty						

Technical data	Symbol	Merit	Unit
rated operational voltage (DC poles)	Ue		1500 V dc
rated operational current (DC poles)	Ie		20 A dc
rated operational voltage (DC poles)	Ue		1000 V dc
rated operational current (DC poles)	Ie		50 A dc
rated operational voltage (DC poles)	Ue		800 V dc
rated operational current (DC poles)	Ie		60 A dc
method of mounting	both bottom and single hole mounting [D]		
number of DC poles	2		
utilization category DC	DC-PV1		
actuator	standard black, with thread through the shaft [D]		
positions	OFF at 12 hr, ON at 3 hr [E]		
rated impulse withstand voltage	Uimp		8 kV
insulation voltage	Ui		1500 V
rated thermal current uninterrupted duty	Iu		60 A
rated short-time withstand current (1s)	Icw		750 A
rated short-circuit making capacity	Icm		1,4 kA
rated conditional short-circuit current			5 kA
method of operation	independent manual operation		
minimum required dimensions of enclosures L x W x H* (on DIN-rail H = +2mm) {space envelope}	124 x 47 x 63,6 mm		
* see the drawing for the height of the switch. The number of layers N is:	3		
knob operation force		max.	1,4 Nm
tightening torque terminal screws M4, min. - max.		1,5	1,7 Nm
tightening torque panel mounting nut, min. - max.		2,0	2,5 Nm
tightening torque M3 screw in the standard black knob, min. - max.		0,5	0,7 Nm
ambient temperature allowed between	- 40 to + 70 °C		
storage temperature allowed between	- 40 to + 80 °C		
maximum relative humidity, without condensation at 20 °C	90 %		
pollution degree	2		
IP rating terminals	IP20		
IP rating gland of the shaft in case of single hole panel mounting	IP65		
rated operational voltage (AC poles)	Ue		V ac
rated operational current (AC poles)	Ie		A ac
number of AC poles (for general use)			
minimum required fine wire cross-section: IEC60947-1, table 9	mm ²		
auxiliary contact(s), AC15	No auxiliary contact		
auxiliary contact ratings			
weight			194 g
accessories:	-		

Data Sheet

XBCH+0619-AAO/2 / XBCH+0810-2-D



XBCH+0610-AAO-2-D (002)

Terminals Scheme									
Layer No.	Front Side		Symbol	Rear Side		Positions			
	Left	Right		Left	Right	1	2	3	4
9									
8									
7	-3	+ Pole		-3	+3	I			0
6		+3							0
5	+2	+ Pole		+2		I			0
4		-2			-2				0
3	-1	- Pole		-1		I			0
2		+1							0
1			Empty						0

The specified rating for a 2-pole switch is only valid if the switch is provided with links and connected in this way as indicated below

XBCH+0810-2-D

Terminals Scheme									
Layer No.	Front Side		Symbol	Rear Side		Positions			
	Left	Right		Left	Right	1	2	3	4
9	+4			+4		I			0
8		-4			-4				0
7	-3			-3		I			0
6		+3			+3				0
5	+2			+2		I			0
4		-2			-2				0
3	-1			-1		I			0
2		+1			+1				0
1			Empty						0

Recommend Manufacturer	Type number	Wire size (AWG)	Wire size (mm ²)	Color
JST		AWG 16 – AWG 14	1,0 – 2,5 mm ²	Blue
TE connectivity	C-165012	AWG 16 – AWG 14	1,0 – 2,5 mm ²	Blue
Vogt	3635c	AWG 16 – AWG 14	1,5 – 2,5 mm ²	Blue
TE connectivity	C-165015	AWG 12 - AWG 10	3,0 - 6,0 mm ²	Yellow
Vogt	3654c / 3655c	AWG 12 - AWG 10	3,0 - 6,0 mm ²	Yellow
Santon (JST)	54A1256.35	AWG 8 - AWG 10	10,5mm ² -16mm ² *1	*2

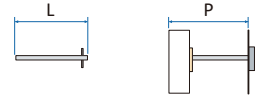
XBCH+0610-AAO-2-D (002)

Technical data	Symbol	Ratings:	I	Unit
Rated operational voltage	Ue		1500	V dc
Rated operational current	Ie		50	A dc
Required fine wire cross-section (minimal)*:			10	mm ²
legend: +pole cables (not delivered) -pole cables (not delivered) cabellink necessary! (not delivered) Link can be ordered separately art. Nr.: 06A5001.40				
*IEC60947-1, table 9				
Number of DC poles		2 by connecting the 6 layers as shown		
Pollution degree			2	
Utilization category DC		rating based on IEC 60947 1&3 PV 1 DC-PV1		
IP rating terminals			IP20	
Tightening torque terminal screws M4 (min. - max.)			1,5 – 1,7	Nm
Method of mounting				
IP rating of the shaft in case of single hole mounting			IP65	
Tightening torque panel mounting nut (min. - max.)			2,0 – 2,5	Nm
Panel thickness between			1 – 4	mm
Positions		12 (OFF) and 3 o'clock (ON)		
Actuator		Standard A knob with long screw to fix in shaft		
Method of operation		Independent manual operation		
Rated impulse withstand voltage	Uimp		8	kV
Insulation voltage	Ui		1500	V
Rated thermal current uninterrupted duty	Iu		60	A
Rated short-time withstand current (1s)	Icw		700	A
Rated short-circuit making capacity	Icm		1,4	kA
Rated conditional short-circuit current	Isc		5	kA
Minimum required dimensions of enclosures L x W x D* (space envelope)			124 x 47 x 102	mm
* see the drawing for the height of the switch. The number of layers N is: 6				
Weight			ca. 253	g
Allowed ambient temperature (min. - max.)	Tambient		-40 – 70	°C
Allowed storage temperature (min. - max.)	Tstorage		-40 – 85	°C
Relative humidity (max.), without condensation at 20°C	RH		90	%

XBCH+0810-2-D

Technical data	Symbol	Ratings:	I	II	III	Unit		
Rated operational voltage	Ue		1500	1000	800	V dc		
Rated operational current	Ie		20	50	60	A dc		
Required fine wire cross-section (minimal)*:			4	10	16	mm ²		
*IEC60947-1, table 9								
Number of DC poles					8			
Pollution degree					2			
Utilization category DC					DC-PV1			
IP rating terminals					IP20			
Tightening torque terminal screws M4 (min. - max.)			1,5		1,7	Nm		
Method of mounting								
IP rating of the shaft in case of single hole mounting					IP65			
Tightening torque panel mounting nut (min. - max.)			2,0		2,5	Nm		
Panel thickness between			1		4	mm		
Positions		12 (OFF) and 3 o'clock (ON)						
Actuator		Standard A knob with long screw to fix in shaft						
Method of operation		Independent manual operation						
Rated impulse withstand voltage	Uimp				8	kV		
Insulation voltage	Ui				1500	V		
Rated thermal current uninterrupted duty	Iu				60	A		
Rated short-time withstand current (1s)	Icw				700	A		
Rated short-circuit making capacity	Icm				1	kA		
Rated conditional short-circuit current	Isc				5	kA		
Minimum required dimensions of enclosures L x W x D* (space envelope)			124	x	47	x	123	mm
* see the drawing for the height of the switch. The number of layers N is: 8								
Weight					ca. 308	g		
Allowed ambient temperature (min. - max.)	Tambient		-40		- 70	°C		
Allowed storage temperature (min. - max.)	Tstorage		-40		- 85	°C		
Relative humidity (max.), without condensation at 20°C	RH				90	%		

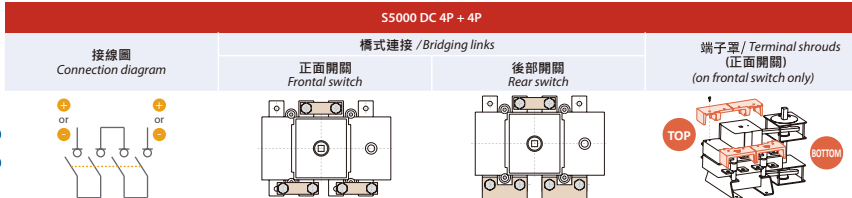
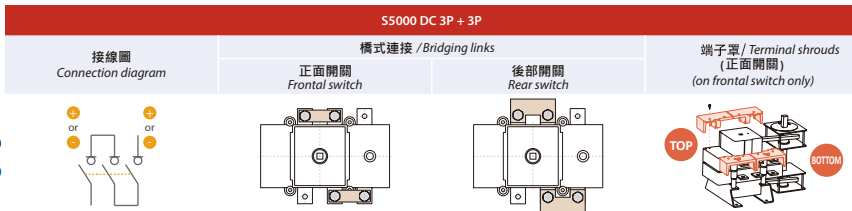
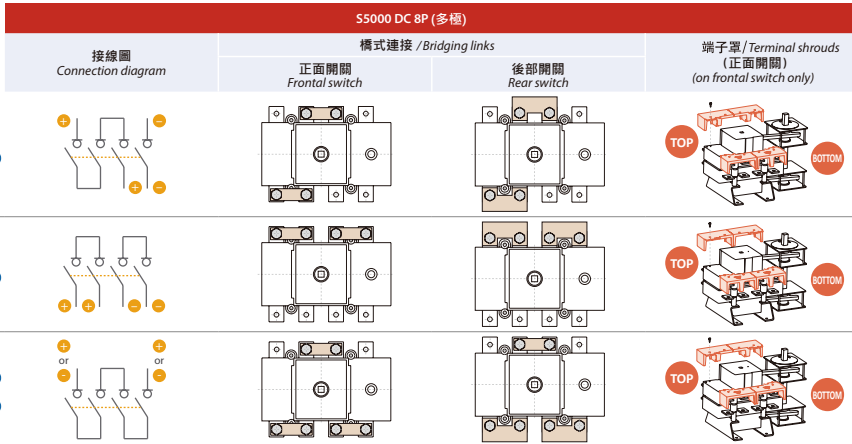
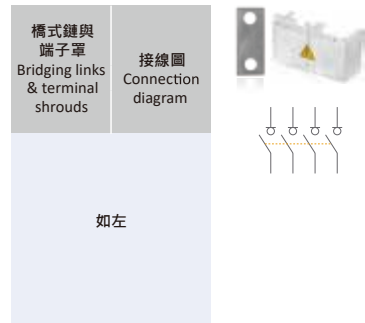
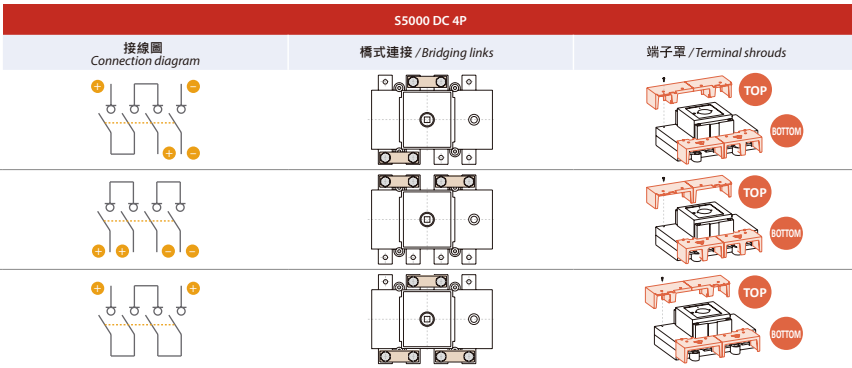
Model S5000 1000V DC21B



S5000 DC 1000 V				開關 O-I On-Off switch	直接手柄 Direct handle	外部手柄 External handle			軸外伸部 Shaft extensions						
				4P ^{*(1)}	藍色/Blue	藍色/Blue			型號 1/Type 1			型號 2/Type 2			
Ue (Vdc)	安培 Amps	規格 Size	連接 Connection	型號 Code	型號 Code	型號 Code	L (mm)	P (mm)	型號 Code	L (mm)	P (mm)	型號 Code	L (mm)	P (mm)	
900	DC21B	40	0		S5-01604PB0	DS-SI01	DS-SA01	177 85...	195,5	DS-EP04	250 90...	263	DS-EP05	347 90...	400
		40	0		S5-01604PS0	DS-SI01	DS-SA01	177 85...	195,5	DS-EP04	250 90...	263	DS-EP05	347 90...	400
		100	1		S5-01254PR0	DS-SI11	DS-SA11	227 103...	256	DS-EP14	376 108...	400	DS-EP15	536 108...	560
		160	1		S5-02004PR0	DS-SI11	DS-SA11	227 103...	256	DS-EP14	376 108...	400	DS-EP15	536 108...	560
		250	1		S5-03154PR0	DS-SI11	DS-SA11	227 103...	256	DS-EP14	376 108...	400	DS-EP15	536 108...	560
1000	DC21B	400	1		S5-04004PC0	DS-SI11	DS-SA11	227 103...	256	DS-EP14	376 108...	400	DS-EP15	536 108...	560
		500	2		S5-06304PR0	DS-LI21	DS-LA21	195 134...	240	DS-EP24	345 139...	400	DS-EP24	535 139...	560
		630	2		S5-08004PC0	DS-LI21	DS-LA21	195 134...	240	DS-EP24	345 139...	400	DS-EP24	535 139...	560
		850	3		S5-12504PC0	DS-LI31	DS-LA31	186 145...	242	DS-EP32	336 150...	400	DS-EP24	535 150...	600
		1250	4		S5-18004PS0	DS-LI41	DS-LA41	239 235...	400	DS-EP44	204 240...	440	DS-EP45	635 240...	836

*⁽¹⁾ 4級同時斷開。

*⁽¹⁾ 4 poles simultaneous breaking.



Model S5000 1000V DC21B 接線圖

S5000 DC 4P

	接線圖 Connection diagram	橋式連接 / Bridging links		端子罩 / Terminal shrouds
	A			
B				
C				

S5000 DC 8P (多極)

	接線圖 Connection diagram	橋式連接 / Bridging links		端子罩 / Terminal shrouds (正面開關) (on frontal switch only)
		正面開關 Frontal switch	後部開關 Rear switch	
A				
B				
C				
D				

S5000 DC 3P + 3P

	接線圖 Connection diagram	橋式連接 / Bridging links		端子罩 / Terminal shrouds (正面開關) (on frontal switch only)
		正面開關 Frontal switch	後部開關 Rear switch	
E				
F				

S5000 DC 4P + 4P

	接線圖 Connection diagram	橋式連接 / Bridging links		端子罩 / Terminal shrouds (正面開關) (on frontal switch only)
		正面開關 Frontal switch	後部開關 Rear switch	
C				
D				

Model S5000 1000V DC21B 配件



ETL 產品型號 +OU
ETL product code
adding 0U:
DS-CU__0U

	防護板 Shield protection	接線端護板(兩片) / Terminal shrouds (2 pieces) *									
		規格 0 / Size 0		規格 1 / Size 1 *		規格 2 / Size 2		規格 3 / Size 3		規格 4 / Size 4	
		接線圖 Diagram		接線圖 Diagram		接線圖 Diagram		接線圖 Diagram		接線圖 Diagram	
		A - B	A	B	A	B	A	B	A	B	
IEC 產品型號 IEC product code	TOP	DS-CU01	DS-CU18	DS-CU10	DS-CU28	DS-CU20	DS-CU38	DS-CU30	DS-CU48	DS-CU40	
	BOTTOM	DS-CU01	DS-CU19	DS-CU11	DS-CU29	DS-CU21	DS-CU39	DS-CU31	DS-CU49	DS-CU41	
		C - D	C - D		C - D		C - D		C - D		
IEC 產品型號 IEC product code	TOP	DS-CU01	DS-CU18		DS-CU28		DS-CU38		DS-CU48		
	BOTTOM	DS-CU01	DS-CU10		DS-CU20		DS-CU30		DS-CU40		
		E - F	E - F		E - F		E - F		E - F		
IEC 產品型號 IEC product code	TOP	-	DS-CU18		DS-CU28		DS-CU38		DS-CU48		
	BOTTOM	-	DS-CU10		DS-CU20		DS-CU30		DS-CU40		

* 3P+3P, 4P+4P, 8P的端子罩僅適用於正面安裝的負荷開關 * For the switches 3P+3P, 4P+4P & 8P the shrouds can only be fitted in the frontal switch.

*(1) 連接請洽詢

*(1) Please consult for connection.



	型號 Code	橋式連接(兩片) / Bridging links (2 pieces)						
		規格 / Size 0		規格 / Size 1		規格 / Size 2	規格 / Size 3	規格 / Size 4
		接線圖 Diagram		接線圖 Diagram		接線圖 Diagram	接線圖 Diagram	接線圖 Diagram
		A - B	A - B	A - B	A - B	A - B	A - B	A - B
S5000 DC 4P	DS-PI05	DS-PI01	DS-PI11	DS-PI14	DS-PI21	DS-PI31	DS-PI41	



	型號 Code	橋式連接(兩片或三片) / Bridging links (2/3 pieces)							
		規格 / Size 1		規格 / Size 2		規格 / Size 3		規格 / Size 4	
		接線圖 / Diagram		接線圖 / Diagram		接線圖 / Diagram		接線圖 / Diagram	
		A - B	C	A - B	B	A - B	B	A - B	B
S5000 DC 4P UL CSA		DS-PI120U	DS-PI130U	DS-PI220U	DS-PI230U	DS-PI320U	DS-PI330U	DS-PI420U	DS-PI430U
		A - B	C - D	A - B	C - D	A - B	C - D	A - B	C - D
S5000 DC 8P (multi-string)		DS-PI120U	DS-PI130U	DS-PI220U	DS-PI230U	DS-PI320U	DS-PI330U	DS-PI420U	DS-PI430U
		DS-PI170U	DS-PI160U	DS-PI270U	DS-PI260U	DS-PI370U	DS-PI360U	DS-PI470U	DS-PI460U
S5000 DC 3P+3P		E - F	E - F	E - F	E - F	E - F	E - F	E - F	E - F
		DS-PI120U	洽詢 Consult	DS-PI220U	DS-PI320U	DS-PI420U			
DS-PI170U	洽詢 Consult	DS-PI270U	DS-PI370U	DS-PI470U					
C - D	C - D	C - D	C - D	C - D					
S5000 DC 4P+4P		DS-PI130U	洽詢 Consult	DS-PI230U	DS-PI330U	DS-PI430U			
		DS-PI160U	洽詢 Consult	DS-PI260U	DS-PI360U	DS-PI460U			

GM5-PT系列光伏專用直流開關-電氣技術參數

性能參數表



GM5-250 PT



GGM5-1250 PT

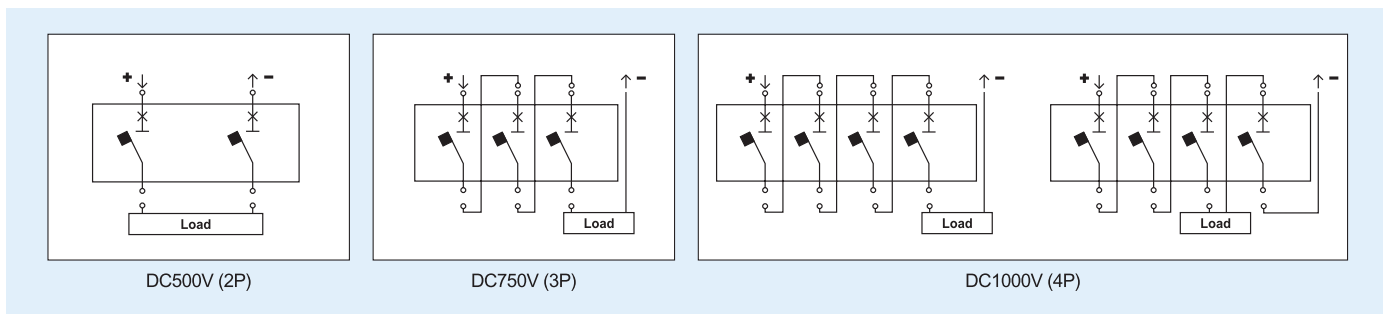
型號	GM5-250 PT	GM5-1250 PT
殼架等級額定電流Inm	250	1250
額定電流範圍In (A)	63、80、100、125、140、160、180、200、225、250	800,1000,1250 (均可調)
接線方式	2進2出	
額定工作電壓Ue (V) DC	1000	1000
額定絕緣電壓Ui (V)	1000	1000
額定衝擊耐受電壓Uimp (kV)	8	8
極限短路分斷能力 (kA) Icu (Ics=75%Icu)	20	20
機械壽命	總次數	7000
電氣壽命	總次數	2000
總分斷時間 (ms)	20	20
基準環境溫度 (°C)	50	50
是否具有隔離特性	是	是
標準	IEC 60947-2、GB 14048.2 或UL489B	IEC 60947-2、GB 14048.2或UL489B
允許環境溫度/°C	-45 ~ +70	-45 ~ +70
防護等級	IP30	IP30
品質認證	CCC、TUV、CE、CB證書	CCC、TUV、CE、CB證書
可帶附件	分勵、輔助、報警	分勵、輔助、報警
飛弧距離 (mm)	≥ 50	≥ 100
瞬時動作值	6In	6In-10In(可調)
外形尺寸	L×W×H	200x90x86
		406x210x140

- MCCB is suitable for DC application such as Photovoltaic Circuit Breaker, UPS and datacenter
- DC short circuit test tested by VDE
- Higher nominal voltage range up to 1000 VDC
- Rated Current : 16A~800A
- No of Pole : 2/3/4Pole
- Available for AC/DC application



		TD100	TD160	TS100	TS160	TS250	TS400	TS630	TS800
Frame size	(AF)	100	160	100	160	250	400	630	800
Rated current, In(A)		16, 20, 25, 32, 40, 50, 63, 80, 100	100, 125, 160	40, 50, 63, 80, 100	100, 125, 160	125, 160, 200, 250	300, 400	500, 630	700, 800
No. of Poles	(Pole)	2, 3, 4	2, 3, 4	2, 3, 4	2, 3, 4	2, 3, 4	2, 3, 4	2, 3, 4	2, 3, 4
Rating (DC)	1000V	4P	4P	4P	4P	4P	4P	4P	4P
	750V	3P 3P		3P	3P	3P	3P	3P	3P
	500V	2P	2P	2P	2P	2P	2P	2P	2P
Rated service breaking (DC)	Type	N H L N H L	N H L N H L	N H L N H L	N H L N H L	N H L N H L	N H L N H L	N H L N H L	N H L N H L
	1000V (4P)	42 65 100 42 65 100	50 85 100 50 85 100	50 85 100 50 85 100	50 85 100 50 85 100	50 85 100 50 85 100	50 85 100 50 85 100	50 85 100 50 85 100	50 85 100 50 85 100
	750V (3P)	42 65 100 42 65 100	50 85 100 50 85 100	50 85 100 50 85 100	50 85 100 50 85 100	50 85 100 50 85 100	50 85 100 50 85 100	50 85 100 50 85 100	50 85 100 50 85 100
Trip unit	500V (2P)	42 65 100 42 65 100	50 85 100 50 85 100	50 85 100 50 85 100	50 85 100 50 85 100	50 85 100 50 85 100	50 85 100 50 85 100	50 85 100 50 85 100	50 85 100 50 85 100
	FTU (fixed-thermal, fixed-magnetic)	● ● ● ● ● ●	● ● ● ● ● ●	● ● ● ● ● ●	● ● ● ● ● ●	● ● ● ● ● ●	● ● ● ● ● ●	● ● ● ● ● ●	● ● ● ● ● ●
	FMU (adjustable-thermal, fixed-magnetic)	● ● ● ● ● ●	● ● ● ● ● ●	● ● ● ● ● ●	● ● ● ● ● ●	● ● ● ● ● ●	● ● ● ● ● ●	● ● ● ● ● ●	● ● ● ● ● ●
ATU (adjustable-thermal, adjustable-magnetic)	--	- - - - --	- ● ● ● ● ●	- ● ● ● ● ●	- ● ● ● ● ●	- ● ● ● ● ●	- ● ● ● ● ●	- ● ● ● ● ●	- ● ● ● ● ●

Exemplary circuit diagrams



Derating Table for AF

The following tables are based on the following assumptions;

- Maximum permissible temperature of busbars are 100
- T : Temperature around the circuit breaker and its connections

Note) 1. The values presented in the tables are the result of trials and theoretical calculations on the basis of the assumption mentioned above.
2. These tables are intended as an aid in designing connection, however, the actual values must be confirmed by tests on the installation.

AF	Rated current(A)	Derating(A)	Short Busbar
TD100	16	16	TD160 3t Short Busbar
	20	20	
	25	25	
	32	32	
	40	40	
	50	50	
	63	63	TD160 4t Short Busbar
	80	80	
	100	100	
TD160	100	100	TD160 5t Short Busbar
	125	125	
	160	135	
TS100	40	40	TS250 4t Short Busbar
	50	50	
	63	63	
	80	80	
	100	100	
TS160	100	100	TS250 5t Short Busbar
	125	125	
	160	135	
TS250	125	125	TS800 Lower & Upper Short Busbar
	160	160	
	200	180	
	250	180	
TS400	300	300	TS800 Lower & Upper Short Busbar
	400	400	
TS630	500	500	
	630	500	
TS800	700 *	700	
	800	700	

Note) 1. * Only available for TS800FTU
2. Dimension on the short busbar refer to A-6-47~52.
3. Short busbar for PV application is not provided by LSIS.

Trip unit identification





DC Surge protection device 直流突波吸收器 600VDC

Nominal voltage 600Vdc, In 20-40KA, I_{max} 25-50KA, IEC61643-11:2005, UL1449 ed. 3, EN505839 with aux. relay output.
PV 40/600 直流突波吸收器：600Vdc, In 10-70KA, I_{max} 25-150KA, IEC61643-11:2005, UL1449 ed.3。



DC Surge protection device 直流突波吸收器 1000VDC

Nominal voltage 1000Vdc, In 20-40KA, I_{max} 40-80KA, IEC61643-11:2005, UL1449 ed. 3, EN505839 with aux. relay output.
PV 40/1000 直流突波吸收器：1000Vdc, In 20-40KA, I_{max} 40-80KA, IEC61643-11:2005, UL1449 ed.3。



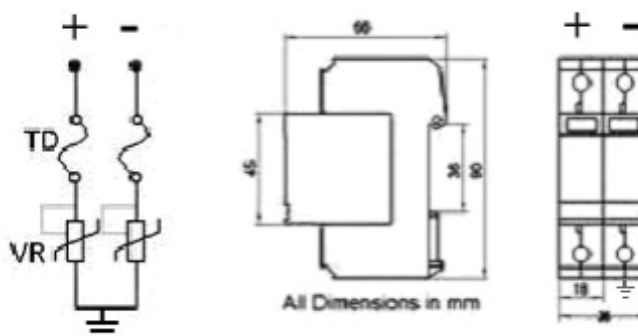
AC Surge protective devices 交流突波吸收器 D1-50/***-2MV-R

直流交流單相突波保護器：最大連續使用電壓75~800Vdc · 最大放電電流40KA · 突波保護等級0.3~2.0KV · 無洩漏電流 · DIN導軌安裝模組化設計 · 模塊插拔更換 · 熱保護脫扣設計 · 內建滅弧裝置 · 紅色落牌故障警示 · 常開長閉故障信控輔助接點。
Single phase power supply system, max.discharge current 40KA, MCOV from 75 to 800Vdc, Inbuilt Arc-extinguishing device, Im 40KA, Up 0.3 to 2.0KV, no leakage current, DIN rail mounting, modular design, red sign fault indication, remote aux. relay 1NO 1 NC.



AC Surge protective devices 交流突波吸收器 D3-50/***-4MV-R

直流交流單相突波保護器：複合型變阻與氣體放電管技術 · 最大連續使用電MCOV150~800Vac/dc · 高放電能量class I /12.5KA class II /50KA · 適合戶外一級雷及戶內二級雷應用 · 突波保護等級0.5~1.6KV/3KA · 無洩漏電流 · DIN導軌安裝模組化設計 · 模塊插拔更換 · 熱保護脫扣設計 · 內建滅弧裝置 · 紅色落牌故障警示 · 常開長閉故障信控輔助接點。
Single phase power supply system, AC and DC application 150 to 800V, max. discharge current 50KA class II, 12.5KA class I, Inbuilt Arc-extinguishing device, high energy MOV and GTD hybrid unit inside I_{max} 100KA, V_p up 0.5 to 1.6KV at 3KA, no leakage current, DIN rail mounting, modular design, red sign fault indication, remote aux. relay 1NO 1 NC.

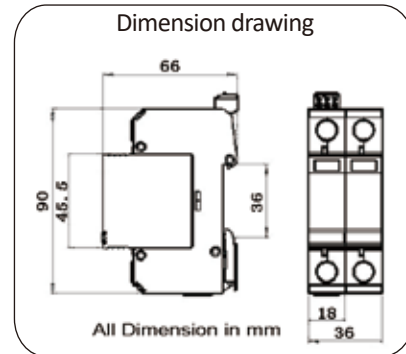
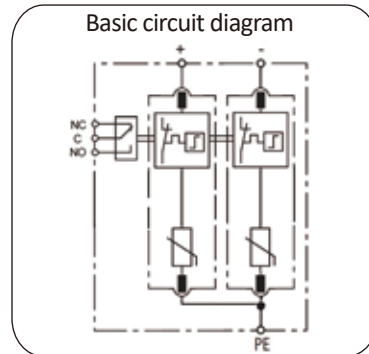


Common mode DC Surge arrester for Photovoltaic protection against surges at the boundaries from lightning protection zone OB-1 and higher.

- ⊙ Class II (C) DC arrester in according with IEC61643-11 and UL1449-3rd.
- ⊙ Two part design consisting of base and plug-in protection module.
- ⊙ Common protection mode.
- ⊙ High energy MOV (Metal Oxide Varistor) inside.
- ⊙ Reliable supervision due to disconnection device.
- ⊙ Fault indication by red indication flag in window.
- ⊙ Fast response.
- ⊙ With remote alarm terminal optional.



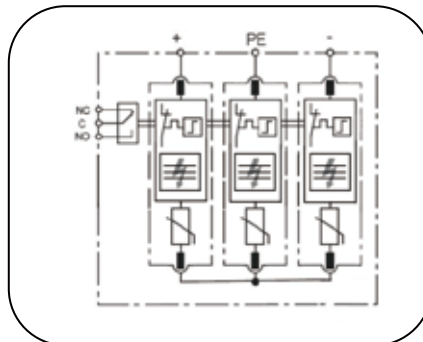
Type		PV 50/600-MVCR
In accordance with		IEC61643 -11; UL1449 ed. 3
Category IEC/VDE		II / C
Protection Mode		Common mode
Nominal voltage		600VDC
Max. continuous operating voltage (DC)		670V DC
Nominal discharge current (8/20) In		20KA
Max. discharge current(8/20) I _{max}	Per IEC61643	40KA
	Per UL1449	50KA
Voltage protection level@In per IEC61643		2.2K V
VPR at 6KV/3KA per UL1449		<1.6KV
Response time		≤ 25 ns
Backup fuse(only required if not already provided in mains)		125A gR/gPV
Operating temperature range		- 40°C + 80 °C
Cross-section of connecton wire		Single-strand 35mm ² ; multi-strand 25mm ²
Mounting		35mm DIN -rail in accordance with EN 50022/DIN46277-3
Enclosure material		thermoplastic; extinguishing degree UL94 V0
Degree of protection		IP20
Installation width		2 modules, DIN 43880
Thermal disconnecter		Internal green- normal red- failure
Remote alarm contact		Yes
Additional data for Remote Alarm Contacts		
Remote alarm contact type		floating changeover contact
Switching capability U _N /I _N		AC: 250V/0.5A DC: 250V/0.1A; 125V/0.2A; 75V/0.5A
Cross-section of connection wire		Max. 1.5mm ²



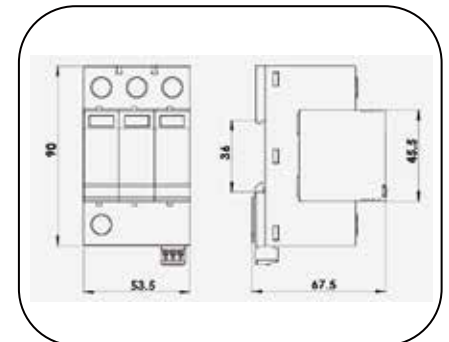
Type 2 SPD designed for low voltage system protection against surges at the boundaries from lightning protection zone 1-2 and higher.

- ⊙ Class II surge protector for Photovoltaic system
- ⊙ IEC61643-31, EN50539 compliance
- ⊙ Type 2, common mode surge protection, 40kA surge arrester
- ⊙ Pluggable design SPD, easy replacement
- ⊙ Reliable supervision due to disconnection device
- ⊙ Fault indication by red indication flag in window
- ⊙ With remote alarm terminal optional

Part No.	PV40/1000-MVCR	
In accordance with	IEC61643-31, EN50539	
Category IEC/VDE	II/ C	
Protection Mode	Common mode	
Nominal voltage (Vdc)	Un	1000
Max. continuous operating voltage (Vdc)	Ucpv	1060
Nominal discharge current(8/20)	In	20kA
Max. discharge current(8/20)	Imax	40kA
Voltage protection rating	Up	<3.6kV
Short-circuit current rating(Iscpv)	100A	
Response time	≤ 25ns	
Follow current	No	
Backup fuse(only required if not already provided in mains)	125A gR/gPV	
Operating temperature range	- 40°C ~ + 80°C	
Cross-section of connection wire	Single-strand 35mm ² ; multi-strand 25mm ²	
Mounting	35mm DIN-rail in accordance with EN 50022/DIN46277-3	
Enclosure material	thermoplastic; extinguishing degree UL94 V-0	
Degree of protection	IP20	
Installation width	2 modules, DIN 43880	
Thermal disconnect	Internal green – normal ; red - failure	
Remote alarm contact	Optional	
Approvals, Certifications	CE	
Remote alarm contact type	Isolated Form C	
Switching capability Un/In	AC: 250V/0.5A DC: 250V/0.1A; 125V/0.2A; 75V/0.5A	
Max. Size of connecting wire	Max. 1.5mm ² (or # 16AWG)	



Basic circuit diagram

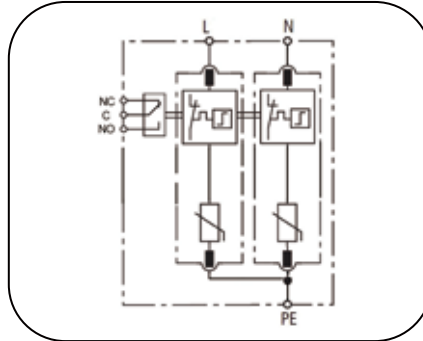


Dimension drawing

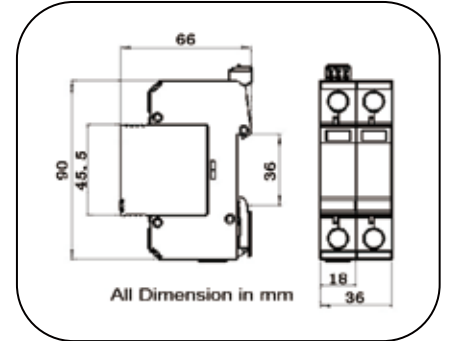
Type 1 SPD designed for low voltage system protection against surges at the boundaries from lightning protection zone 1-2 and higher.

- Type 1 surge protective devices for PV/ Photovoltaic system.
- DC SPD for common mode & Differential mode protection
- ETL certified surge protector according to UL1449-4th, SCCR 200kArms
- Pluggable design with window fault indication
- Nominal discharge current I_n 20kA 8/20 per pole, max discharge current I_{max} 50kA 8/20 per pole
- High reliability due to global patented thermally protected MOV (TPMOV) with special arc-extinguish device

Part No.		PV50-600-MVCDR	PV50-750-MVCDR	PV50-1000-MVCDR	PV50-1200-MVCDR
In accordance with		UL1449-4th			
Category IEC/VDE		Type1 CA			
Protection Mode		Common mode & Differential mode			
Nominal voltage (Vdc)	U_n	600	750	1000	1200
Max. permitted DC voltage	V_{pvdc}	660	840	1120	1420
Nominal discharge current(8/20)	I_n	20kA			
Max. discharge current(8/20)	I_{max}	50kA			
Voltage protection rating per mode	V_{PR}	<1.0kV	<1.2kV	<1.5kV	<1.5kV
Voltage protection rating ("+/L" - PE)		<2kV	<2.4kV	<3kV	<3kV
Leakage (Quiescent) current	I_q	<2.5μA	<3.5μA	<2.5μA	<2.0μA
Short Circuit Current Rating	SCCR	200kA			
Response time		≤ 25ns			
Backup fuse(only required if not already provided in mains)		125A gR/gPV			
Max Ambient temperature		- 40°C ~ + 80°C			
Cross-section of connection wire		Single-strand 35mm ² ; multi-strand 25mm ²			
Mounting		35mm DIN-rail in accordance with EN 50022/DIN46277-3			
Enclosure material		thermoplastic; extinguishing degree UL94 V0			
Degree of protection		IP20			
Installation width		3 modules, DIN 43880			
Thermal disconnecter		Internal green - normal; red - failure			
Remote alarm contact		"-S" means with remote alarm contact			
Approvals, Certifications		ETL/CE			
Remote alarm contact type		Isolated Form C			
Switching capability Un/In		AC: 250V/0.5A DC: 250V/0.1A; 125V/0.2A; 75V/0.5A			
Max. Size of connecting wire		Max. 1.5mm ² (or # 16AWG)			



Basic circuit diagram

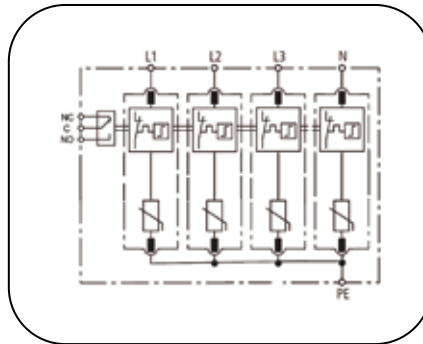


Dimension drawing

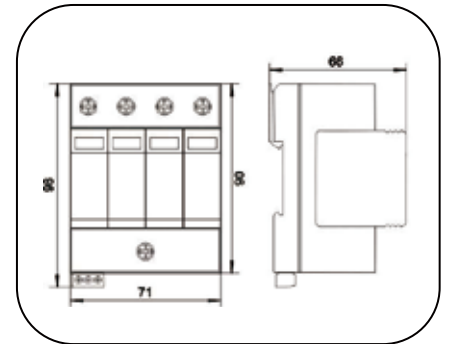
Type 1CA surge protective device especially designed for low-voltage power supply system at the boundaries from lightning protection zone 1-2 and higher.

- Type 1CA surge suppressor, passed intermediate current 100A, 500A, 1000A and short circuit current rating (SCCR) 200kA without external fuse or circuit breaker.
- ETL certified surge protector according to UL1449-4th
- Pluggable design with window fault indication
- Nominal discharge current I_n 20kA 8/20 per pole, max discharge current I_{max} 50kA 8/20 per pole
- High reliability due to global patented thermally protected MOV (TMOV) with special arc-extinguish device

Part No.	D1-50-150-2MV-R	D1-50-180-2MV-R	D1-50-250-2MV-R	D1-50-275-2MV-R	D1-50-320-2MV-R	D1-50-420-2MV-R	D1-50-510-2MV-R	D1-50-550-2MV-R
In accordance with	UL1449-4th							
Category IEC/VDE	Type1CA							
Max. continuous operating voltage MCOV (VAC/VDC)	150 /200	180 /240	250 /330	275 /370	320 /420	420 /560	510 /670	550 /710
Nominal discharge current(8/20) I_n	20kA							
Max. discharge current(8/20) I_{max}	50kA							
Voltage protection rating @ VPR	<0.7kV	<0.7kV	<1.0kV	<1.0kV	<1.2kV	<1.5kV	<1.5kV	<1.5kV
Response time	≤ 25ns							
Follow current	No							
Backup fuse(only required if not already provided in mains)	125A gL/gG							
Operating temperature range	- 40°C ~ + 80°C							
Cross-section of connection wire	Single-strand 35mm ² ; multi-strand 25mm ²							
Mounting	35mm DIN-rail in accordance with EN 50022/DIN46277-3							
Enclosure material	thermoplastic; extinguishing degree UL94 V0							
Degree of protection	IP20							
Installation width	2 modules, DIN 43880							
Thermal disconnect	Internal green – normal ; red - failure							
Remote alarm contact	Optional							
SCCR rating	200kA							
Approvals, Certifications	ETL/CE							
Remote alarm contact type	Isolated Form C							
Switching capability Un/In	AC: 250V/0.5A DC: 250V/0.1A; 125V/0.2A; 75V/0.5A							
Max. Size of connecting wire	Max. 1.5mm ² (or # 16AWG)							



Basic circuit diagram



Dimension drawing

Type 1 surge protective device especially designed for low-voltage power supply system at the boundaries from lightning protection zone 1-2 and higher.

Type 1CA surge protector, passed intermediate current 100A, 500A, 1000A and short circuit current rating (SCCR) 200kA without external fuse or circuit breaker.

ETL certified surge protector according to UL1449-4th

Pluggable design with window fault indication

Nominal discharge current I_n 20kA 8/20 per pole, max discharge current I_{max} 50kA 8/20 per pole

High reliability due to global patented thermally protected MOV (TMOV) with special arc-extinguish device

Part No.	D3-50/150-4MV-R	D3-50/180-4MV-R	D3-50/250-4MV-R	D3-50/275-4MV-R	D3-50/320-4MV-R	D3-50/420-4MV-R	D3-50/510-4MV-R	D3-50/550-4MV-R
In accordance with	UL1449-4th							
Category IEC/VDE	Type1CA							
Max. continuous operating voltage MCOV (VAC/VDC)	150 /200	180 /240	250 /330	275 /370	320 /420	420 /560	510 /670	550 /710
Nominal discharge current(8/20) I_n	20kA							
Max. discharge current(8/20) I_{max}	50kA							
Voltage protection rating @ VPR	<0.7kV	<0.7kV	<1.0kV	<1.0kV	<1.2kV	<1.5kV	<1.5kV	<1.5kV
Response time	≤ 25ns							
Follow current	No							
Backup fuse(only required if not already provided in mains)	125A gL/gG							
Operating temperature range	- 40°C ~ + 80°C							
Cross-section of connection wire	Single-strand 35mm ² ; multi-strand 25mm ²							
Mounting	35mm DIN-rail in accordance with EN 50022/DIN46277-3							
Enclosure material	thermoplastic; extinguishing degree UL94 V-0							
Degree of protection	IP20							
Installation width	4 modules, DIN 43880							
Thermal disconnecter	Internal green – normal ; red - failure							
Remote alarm contact	Optional							
SCCR rating	200kA							
Approvals, Certifications	ETL/CE							
Remote alarm contact type	Isolated Form C							
Switching capability I_n/I_n	AC: 250V/0.5A DC: 250V/0.1A; 125V/0.2A; 75V/0.5A							
Max. Size of connecting wire	Max. 1.5mm ² (or # 16AWG)							



Data Network Protector for high-frequency signal transmission 訊號突波保護器DN-XXXX-**

插拔模塊 · DIN rail安裝 · 8/20us電流波In.5KA · 箝制電壓(保護水平) 25V,-95V, · 溫域-40~+80°C · 阻燃UL94-V0 · 另有指示燈規格可選。

Signal transmission, surge protective devices with plug-in protection modules for high-frequency signal transmission systems against surges at the boundaries from lightning protection zone 0B>2, Signal transmission is not interrupted when exchanging modules, max. discharge current 10KA, 35 mm DIN-rail mounting design.



Data Network Protector for high-frequency signal transmission 訊號突波保護器DN-xxxx-2G

插拔模塊 · DIN rail安裝 · 8/20us電流波In.10KA · 箝制電壓(保護水平) 25V,-95V, · 溫域-40~+80°C · 阻燃UL94-V0。

Signal transmission, surge protective devices with plug-in protection modules for high-frequency signal transmission systems against surges at the boundaries from lightning protection zone 0B>2, max. discharge current 20KA, 35 mm DIN-rail mounting design.



Data Network Protector for analogue telecommunication 訊號突波保護器DN-xxx/S2A

指示燈 · 插拔模塊 · DIN rail安裝 · 組合波8/20us · In.5KA · 組合波10/350US 10KA · 箝制電壓(保護水平) Line-Line ≤700V-1000V · 溫域-40~+80°C · 阻燃UL94-V0。

Data network protector in according with IEC61643-11 : 21,Two parts design, surge protection modules to be exchanged easily, Signal transmission is not interrupted when exchanging modules, Limit the transients with gas discharge tubes and varistors, Two-stage protection circuit, For universal analogue tele -communication protection, 35 mm DIN-rail mounting design.

Model No.	DN-05/RS485-2G-B	DN-24/0420-2G
Appliance	xxxx:RS232,RS422,RS423,RS485,0/4-20mA,0-5V,0-10V	
Configuration	twisted pair + shield	
Nominal line voltage (Un)	5V	
Max line voltage	8V	
Max line current	300mA	
Nominal Discharge Current (8/20μs,KA) In 10 times	10kA	
Total Max. Discharge Current (8/20μs,KA) Imax 1 time	20kA	
Impulse current (Iimp) (10/350us KA) impulse 2 times	5kA	
Nominal Current (A) I _L	0.5A	
Protection level(U _p) 8/20us impulse-5KA	35V	
Series impedance per line (Ohm)	2.2 Ohm	
Insertion loss at 10MHz (dB)	≤3.0	
Degree of protection	IP20	
Mounting on	35 mm DIN-rail	
Enclosure Material	UL94 V0	
Environment Temperature (°C)	- 40~+80	
Cat.B(@3KA)		≤ 75V



PV string combiner box stringMoni® 智慧型直流匯流箱

IP65/67 · 500, 800, 1000Vdc · 1, 2, 3, 4, 6, 8, 12, 16, 24串列組合 · VDE 0100 and IEC 60364-7-712, IEC 62109-4 · stringMoni IP 65/67, 500-1000Vdc, 1, 1, 2, 3, 4, 6, 8, 12, 16, 24 strings, Monitoring and protect each string, solve problems immediately. All the most significant data are transmitted via RS 485.



PV string combiner box with surgeCon 24迴路串列匯流箱

二十四串輸出 · 配置IP67防水箱 · 8P 1000Vdc直流開關 6 個或 12P 1000Vdc直流開關 4 個, 直流保險絲及座24個(12個負或12個正), 突波保護器24個 · 適用50-60kW逆變器 · 24 strings combiner box for 2 SPD. Configured with IP67 enclosure, 6 pcs 8 pole 1000Vdc DC disconnect or 4 pcs 12 poles 1000Vdc DC disconnect, PV fuse 24 pcs, alternative 12pcs positive only, surge protector 2pcs, for 5~60KW PV inverter.



PV string combiner box with surgeCon 串列匯流箱附雷擊計數器

二串輸出 · 配置IP67防水箱 · 4P 1000Vdc直流開關1個或2P二個 · 直流保險絲及座4個(正負極各2個) · 突波保護器1個 · 適用二只追蹤器之逆變器 · 1個雷擊計數器 · 4~6KW用或依開關電流額定適用10~25KW · Two strings combiner box with surge counter SurgeCon for 2MPPT tracker. Configure with IP67 enclosure, 4 pole 1000Vdc DC disconnects or 2pcs 2 pole 1000Vdc DC disconnect, PV fuse 4pcs, DC surge protector 2 pcs, SurgeCon 1pc, for 4~6KW PV system or for 10~25KW in according with rated current of DC disconnect switch, IEC 62109-4.



AC Box AC交流開關箱

交流開關箱: 多數歐盟國家規定必須裝置交流斷路器、漏電斷路器、突波(過壓)保護器 · 箱體配置歐式端子並予結線 · 現場安裝節省成本與時間 · 除了歐規還有美規以及接受客製 · AC Combiner box with MCCB, AC surge protector.



Energy meter 單相瓦時表 WHM10-DIN

單相瓦時表 · DIN導軌安裝 · IP40保護 · 免電源 · 32A · 5位數LCD · 一個脈衝輸出 · One-phase energy meter with LCD data displaying, indicated for active energy metering. Housing for DIN-rail mounting, IP40 (front) protection degree. Direct connection up to 32A.

產品規格 Product Characteristics

防水防塵等級 Ingress Protection Water, dust-proof grade IP66/67, Degree of strength IK07/08

材質 Material quality : A:ABS , C:PC , P:PC/ABS

耐溫 Critical temperature : ABS : -40°C -+85°C ; PC: -40°C -+120°C

耐熱 Burn poorly : PC/ABS : 0-5VA ; ABS : 94-V-0

型號 Products Type : P series / H series / S,M series / D series

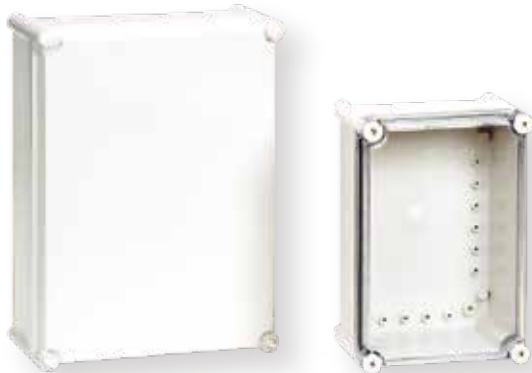
P series : Hinge type



H series : stainless hinge type



S/M series : screw type



D series : All-in-one-Dual door



Accessories



Steel back panel (zinc plating)



plastic mounting plates (ABS)



Lock catch (K40)



Locker (SK)



plastic locker (PK)



JDA-PSK



JDA-PSK



Vent (V60, V80)



Plastic bracket (PB20, 25)

BRES-3L-DC MODEL

EMPTY ENCLOSURE WITH TRIPLE LOCK OPAQUE DOOR

INCLUDES: Empty closet • Screws for wall mounting • Triple lock with aluminium rods and padlock system

Code	Description	Ht	Wt	Dt	Weight- Kg
BRES-325-3LDC	Empty closet with triple lock & padlock	300	250	140	1,93
BRES-43-3LDC	Empty closet with triple lock & padlock	400	300	200	3,60
BRES-44-3L-DC	Empty closet with triple lock & padlock	400	400	200	4,35
BRES-54-3L-DC	Empty closet with triple lock & padlock	500	400	200	5,25
BRES-64-3LDC	Empty closet with triple lock & padlock	600	400	230	7,13
BRES-65-3LDC	Empty closet with triple lock & padlock	600	500	230	7,93
BRES-83-3LDC	Empty closet with triple lock & padlock	800	300	230	6,40
BRES-86-3LDC	Empty closet with triple lock & padlock	800	600	300	12,65

BRES-325



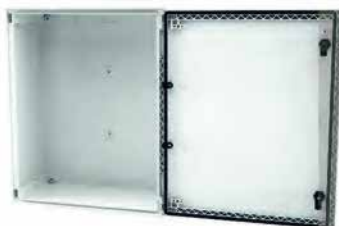
BRES-43



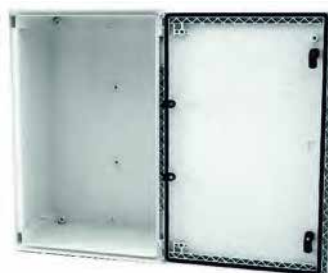
BRES-44



BRES-54



BRES-64



BRES-65



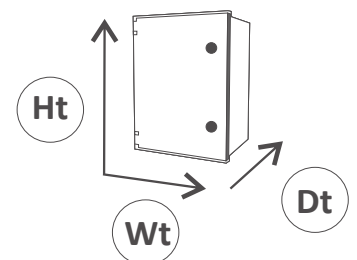
BRES-83



BRES-86



dim. in mm





VIM-M master unit RS 485資料傳輸單元



Master communication capability. RS485 communication port (Modbus). Local communication bus management up to 15 mixed VIM-S, VIM-P and VIM-O unit. Two digital inputs. Two temperature inputs: PT100 or PT1000. Single virtual or real alarm set-point connectable to any available variable. Data and event stamping system Display readout: 6 DGTs. 12 to 28 VDC power supply. IP40, DIN module.

RS485資料傳輸單元：可接15個介面，2個數位輸入，2個溫測輸入Pt100 or 1000，-50~+200°C，3 wire，01°C/0.1°F，±0.5%RDG，六位數顯示個別單串之電流、電壓、功率，加總由RS485輸出，RS485 multi-drop雙向，2 wire 1000M，247位置選擇，自動位址，擷取VIM-S, VIM-P, VIM-O 訊息如：防盜、保險絲熔斷、PV接線問題，PV逆向電壓暨極性、電流、電壓、功率、日照、風速、開關或避雷狀態、自動清洗或遙控，IP40 DIN rail mount。

VIM-S string unit 1000Vdc 串列量測單元



Direct DC voltage measurement up to 1000V, Energy measurements : kWh. Direct DC current measurement up to 16A or up to 30A without fuse. Instantaneous variables data format : 4 DGTs. Energies data format : 6 DGT. Instantaneous variables : V, A, W. Accuracy : Class 1 (kWh) ±0.5 RDG (current/voltage). Auxiliary power supply from VIM-M unit. String alarm management by means of VIM-M unit only. Fuse blow detection by means of VIM-M unit only. PV module connection control by means of VIM-M unit only. Integrated 10.3x38mm fuse holder for string protection. IP40, DIN module.

串列即時量測單元：KWH, V, A, W保險絲熔斷、PV接線問題，PV逆向電壓暨極性，電壓等級DC1000V，直測DC直流16A或30A，Continuous overload 1100 Vdc, for 500ms 1600Vdc, to earth 800Vdc，內置10.3*38mm fuse座，IEC60269-1，不含fuse，IP40 DIN rail mount。

VIM-P measuring unit 溫度、日照、風速量測單元



Measurements : PV module temperature, air temperature, sun irradiation, wind speed. Two temperature inputs : Pt100 or Pt1000. One 120mV or 20mA DC input with scaling capability for irradiation measurement. One pulse input for wind speed measurement. Auxiliary communication bus to VIM-M unit. Auxiliary power supply from VIM-M unit. IP40, DIN module.

溫度、日照、風速量測單元：溫度 one module Temp. input, one air Temp. input, Pt 100 or 1000, -50~+200°C，3 wire，01°C/0.1°F，±0.5%RDG，日照一個輸入，解析1W/M²，0~120mvVDC±0.2%，風速一個輸入，誤差±0.02%，0-1000HZ，IP40 DIN rail mount。

VIM-O input / output unit 輸出入單元



Expansion I/O module (digital inputs and outputs). Two relay outputs managed by the VIM-M module. Two digital inputs managed by the VIM-M module. Auxiliary power supply from VIM-M module. IP40, DIN module.

輸出入單元：由VIM-M主控二個relay輸出警報，光伏板效率改變時內建時鐘定時或遙控驅動清洗模板，二個數位輸入，偵測開關開路、閉路、避雷保護狀態經RS485傳送。

VIM-C VIM-C 網路伺服器



Four RS485 ports, three USB 2.0 ports, one ethernet ports, 100 to 240VAC power supply, Wall/DIN-rail mounting type. Plant information, plant map for failure localization, webcam management, Real-time display with alarm indication, Graphical and analytical yield trends, Alarm and events logging.

四個RS485資料傳輸埠，三個USB2.0埠，一個乙太網路埠，電源100~240VAC，壁掛式、DIN導軌安裝，電廠信息，電廠圖示故障位址，網路攝影管理，即時顯示警告指示，圖形分析收益趨勢圖、警報和事件記錄。

PSU18W, 30W, 60W 電源供應卡

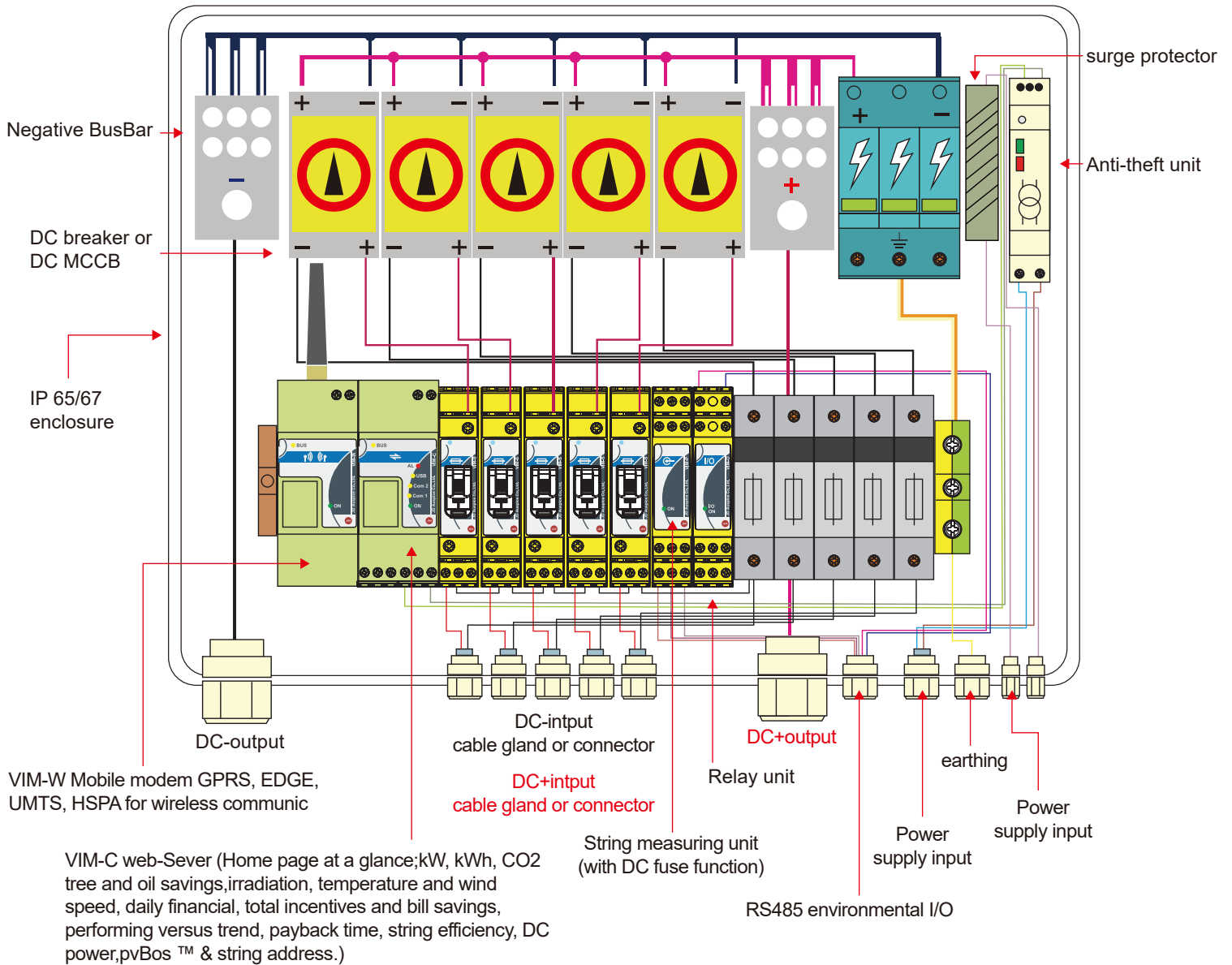


PSU24181, PSU24031, PSU24061 input AC 90~265Vac DC 120~370Vdc, output 24VDC 18W Din-rail power supply.



內建30家以上協定持續增加
適合屋頂型、小 / 中 / 大型 太陽能系統專用
內建免費 OPC 伺服軟體、可整合符合 SCADA 的驅動程式、
提供所有 SCADA 系統整合廠商監測資料訊息平台。

stringMoni®
監測每一串狀態



產品優勢

- 易安裝：VIM-S 直接取代直流匯流箱正極保險絲，兼具保護及監測功能，不需更改原有箱體。
- 模組化：透過連接埠擴充模組，不需增加配線。
- 萬筆記錄：可透過 RS485 資料收集，及位址化。
- 量測每一串太陽能發電量，即時發現問題。
- 長期可節省成本、提早回收投資報酬率。

※ 電腦監控畫面，即時掌握發電狀況 ※





SunOrbit®

Professional

Human-Machine Interface: By providing information, alerts, commands and other tools, an HMI connects the user with the process being controlled.

Flexible

Data interface is a widely accepted protocol due to its ease of use and reliability.

Technology

Easily installation, high reliability



iMorePV®

Professional

Drive and positioning of Dual(or 2 Single) Axis Solar Trackers.

Flexible

Data interface is a widely accepted protocol due to its ease of use and reliability.

Reliable

Direct communication with the sunOrbit Solar Server via RS485 Service Interface. According to grid safety management, the product meets the requirements of the EU Medium-Voltage Directive.

Technology

Easily installation, high reliability



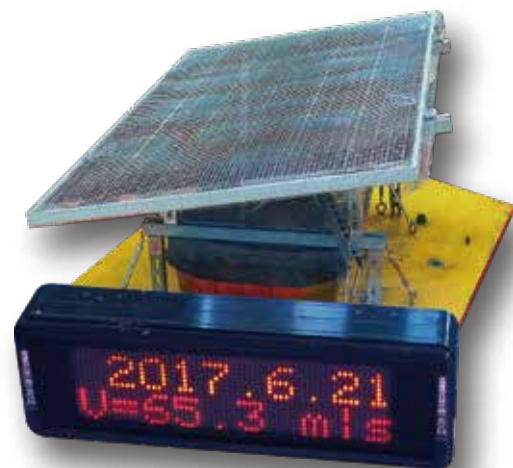
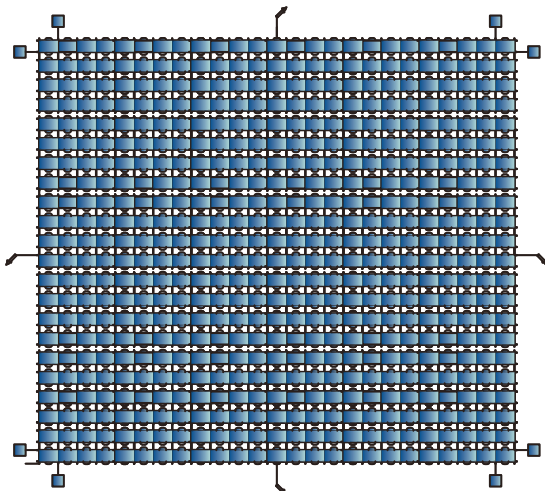


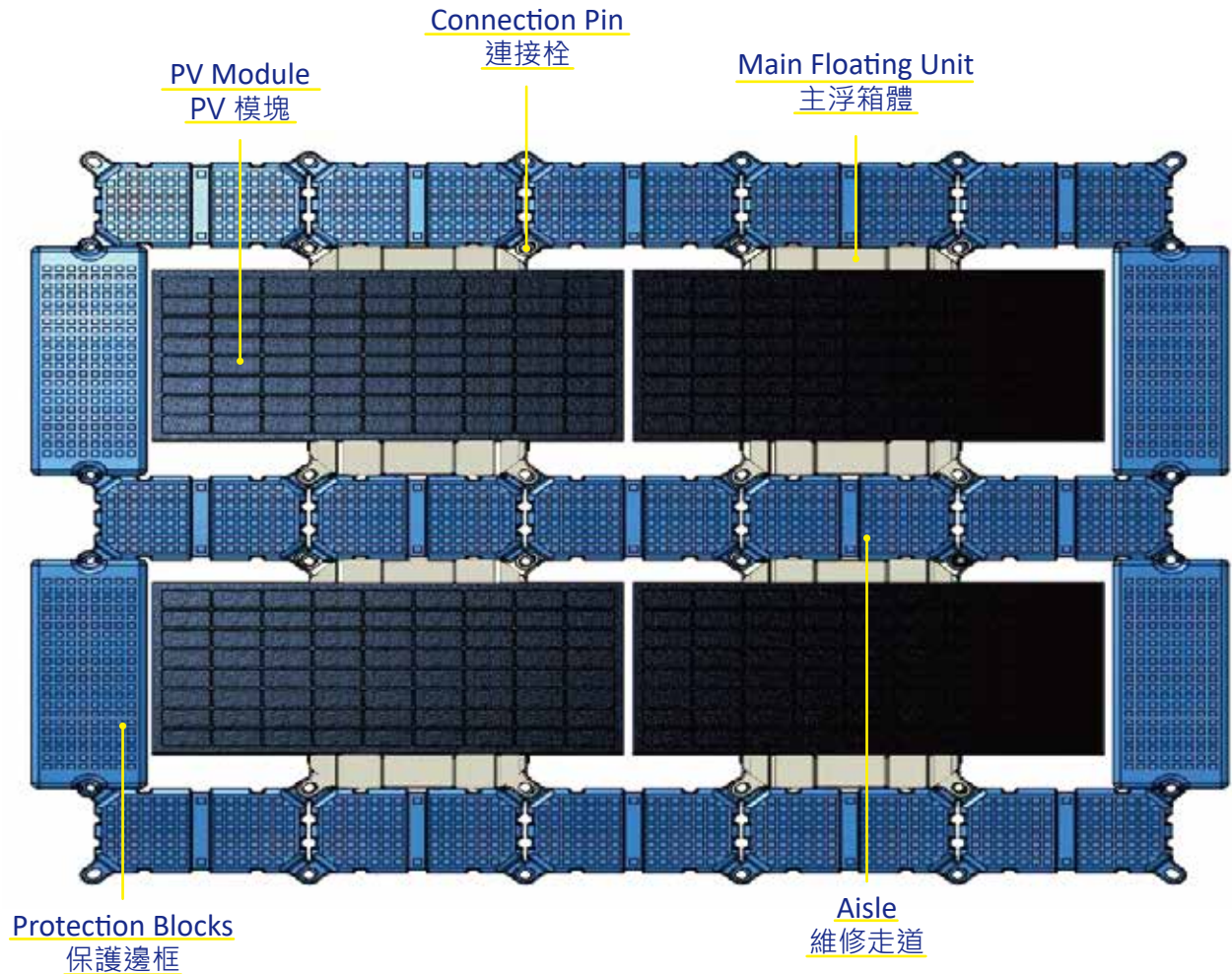
不銹鋼浮筒水面漂浮太陽能電站支架系統是由本公司首創研發的一款水面漂浮式太陽能電站的載體。徹底解決了現有吹塑料浮筒抗紫外線差、易老化、加工週期長、使用壽命短、後期大量的塑料垃圾無法處理、汙染水質等問題。並且大幅度降低了水上漂浮式太陽能電站浮體的周期成本。

不銹鋼水面漂浮式支架技術參數

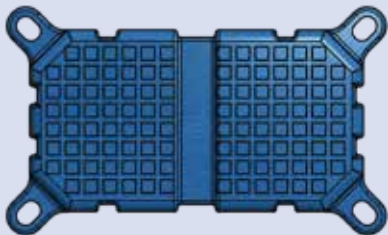

Technical Parameters of Stainless Steel floSolar® Mounting system

浮體浮力 Buoyancy of pontoon	每個浮桶工作浮力40kg 最大浮力 181 kg 40kg working, 181 kg max.
發電增效 Increased power output	比地面或屋頂電站提高6-12%以上的發電量 Higher than ground or rooftop 6-12% or more
組件規格 Specifications of components	1650*992mm-1950*992mm，鋁合金邊框，雙玻璃電池組件 1650*992mm-1950*992mm, aluminum alloy frame, and double-glass solar module assembly
陳列形式 Array	橫向佈置/豎向佈置，每個陳列 4 Kw - 1 Mw Horizontal or Vertical, 4 Kw - 1 Mw per array
組件角度 Angle of assembly	5°- 45° 5°- 45°
浮體材質 Material of floating unit	316~304 不銹鋼 Stainless steel 316-304
扣合形式 Snap fit	不銹鋼浮體蝕水面無焊縫，耐腐蝕，防滲漏 Free of weld at the contact of the stainless steel pontoon with water, corrosion-resistant and seepage-proof
浮體年限 Pontoon life	使用壽命25年 25 years service life
抗風等級 Wind-resistant rating	最大抗風等級17級，更高 65 m/s 已達風機極限 Up to 17 wind beaufort scade, more 65m/s (testing rig limitation)





- Convenience for the subsequent operation and maintenance, at the same time tightly connected to the main floating body, ensure the stability of the entire PV island station.
便於後續操作和維護 · 同時緊密連接主體浮台 · 確保整個光伏電站的穩定性。
- With non slip texture, to further protect the customers safety.
具有防滑紋理 · 進一步保護客戶的安全。

floPV® 維修走道	floPV® 保護邊框	
 <p>6.5 kg 880 × 480 × 230 厚度(thk.): 4~5mm</p>	 <p>7 kg 1300 × 480 × 230 厚度(thk.): 4~5mm</p>	
Material 材料	High density polyethylene(HDPE), in accordance with the Hunt water absorption test, including anti aging, anti ultraviolet, etc.	
Function 功能	Ensure that modules no shadows and the aisle with anti slip texture.	



Growatt 1-3K-S 組串型逆變器

Double MPPT Tracker, MPPT tracking accuracy more than 99.5%Max. Efficiency 97.9%, European Efficiency 97.4%Integrated DC switch for added safety protection
最高效率97.9% · 寬電壓輸入範圍 · 內置直流開關 · GT拓撲結構設計 · 無變壓器 · 無風扇設計 · 多路MPPT技術 · 多路並聯組串 · IP65設計 · 聲控LCD · 安裝簡單。



Growatt 2.5-5K MTL-S 組串型逆變器

Double MPPT Tracker, MPPT tracking accuracy more than 99.5%Max. Efficiency 97.9%, European Efficiency 97.4%Integrated DC switch for added safety protection
最高效率97.9% · 寬電壓輸入範圍 · 內置直流開關 · GT拓撲結構設計 · 無變壓器 · 無風扇設計 · 多路MPPT技術 · 多路並聯組串 · IP65設計 · 聲控LCD · 安裝簡單。



Growatt 7-11K TL3-S 組串型逆變器

DC input voltage up to 1000V Maximum efficiency of 98.4% Internal DC switch Transformerless Compact design Multi MPP controller MTL-string Bluetooth/ RF technology/ Zigbee/ Wi-Fi Sound control and Easy installation.
高達1000V的直流輸入電壓 · 最高效率98.4% · 寬電壓輸入範圍 · 內置直流開關 · GT拓撲結構設計 · 無變壓器設計 · 多路MPP技術 · IP65設計 · 雙獨立MPPT和高級MPPT算法可達到最佳能量採集。



Growatt 30-50K TL3-SE / 40K TL3-(N)SE 組串型逆變器

Maximum efficiency of 99%, Compact design, Sound control Multi MPP controller Maximum efficiency of 99% Compact design Sound control Multi MPP controller MTL string, Internal DC switch and Optional AC switch.
該系列產品擁有99%的轉換效率和業界最高的防雷等級
完善的保護功能 · 廣泛適用於分佈式光伏電站/大型地面電站/漁光互補/農光互補等電站類型。



Growatt MAC 50-60KTL3-X LV/MV 組串型逆變器

Max. efficiency up to 98.8%, CEC efficiency 98.4%, Max. DC voltage up to 1100V, SPD type II for AC/DC side, 3 MPPTs, OLED screen/touch button
最高效率高達98.8% · CEC效率98.4% · 最大直流電壓高達1100V · SPD II型適用於AC / DC · 3個MPPT · OLED屏幕/觸控按鈕。



Growatt MAX 80-100KTL3 LV/MV 組串型逆變器

7 MPPTs, Smart diagnosis, high efficiency up to 99%, local WIFI connection, string monitoring, AC&DC type II SPD
7路MPPT · 14路組串檢測 · 智慧I/V曲線掃描 · 最大轉換效率99% · 一鍵診斷和濾波 · 交直流二級防雷 · 全功率模組和四核芯設計。

輸入數據(直流) Input Data

	MAC 50KTL3-X LV	MAC 60KTL3-X LV	MAC 50KTL3-X MV	MAC 60KTL3-X MV
最大直流電源 Max. DC power	65000W	78000W	65000W	78000W
最大直流輸入電壓 Max. DC voltage	1100V	1100V	1100V	1100V
啟動電壓 Start voltage	250V	250V	250V	250V
額定電壓 MPPT voltage range /DC nominal voltage	200V-1000V/600V	200V-1000V/600V	200V-1000V/600V	200V-1000V/600V
最大 MPP 的輸入電流 Max.input current of the mpp tracker	12.5A	12.5A	12.5A	12.5A
MPPT路數 MPPT number/strings per MPPT	3/3+3+3	3/4+4+3	3/3+3+3	3/4+4+3

輸出數據(交流) Output (AC)

	MAC 50KTL3-X LV	MAC 60KTL3-X LV	MAC 50KTL3-X MV	MAC 60KTL3-X MV
標準輸出功率 Rated AC output power	50000W	60000W	50000W	60000W
額定交流電壓 Max. AC output power	55500VA	66600VA	55500VA	66600VA
交流電壓範圍 Max. output current	80.5A	96.6A	66.9A	80.2A
標準交流電網頻率 AC nominal voltage;range	400V/340-440V AC	400V/340-440V AC	480V/425-540V AC	480V/425-540V AC
交流電網頻率範圍 AC frequency;range	50Hz,60Hz /±5Hz	50Hz,60Hz /±5Hz	50Hz,60Hz /±5Hz	50Hz,60Hz /±5Hz
功率因數 (cosφ) Power factor (cosφ)	1	1	1	1
功率因數調節範圍 Adjustable power factor	0.8 leading ... 0.8 lagging	0.8 leading ... 0.8 lagging	0.8 leading ... 0.8 lagging	0.8 leading ... 0.8 lagging
諧波 THDi	<3%	<3%	<3%	<3%
交流電網連接類型 AC connection	3W+N+PE	3W+N+PE	3W+PE	3W+PE

效率 Efficiency

最大效率 Max. efficiency	98.8%	98.8%	98.8%	98.8%
CEC 效率 CEC efficiency	98.4%	98.4%	98.4%	98.4%
MPPT效率 MPPT number/strings per MPPT	99.9%	99.9%	99.9%	99.9%

設備保護 Protection Devices

直流反極性保護 DC reverse polarity protection	yes	yes	yes	yes
每個MPPT追蹤器直流開關 DC switch rating for each MPPT	yes	yes	yes	yes
輸入過壓突波保護器 DC leakage current protection	Class II	Class II	Class II	Class II
直流絕緣測量 Ground Fault Monitoring	yes	yes	yes	yes
輸出過壓保護 - 壓敏電阻 AC leakage current protection	Class II	Class II	Class II	Class II
串聯保險絲類型/尺寸(選件) AC short-circuit protection	yes	yes	yes	yes

常規數據 General Data

尺寸(寬/高/深)mm Dimension(W/H/D)mm	680/508/281	680/508/281	680/508/281	680/508/281
重量 Weight	56kg	56kg	56kg	56kg
運行溫度範圍 Operating temperature range	-25°C ... +60°C	-25°C ... +60°C	-25°C ... +60°C	-25°C ... +60°C
噪聲指數(典型) Noise emission	≤ 55 dB(A)	≤ 55 dB(A)	≤ 55 dB(A)	≤ 55 dB(A)
海拔高度 Altitude	4000m	4000m	4000m	4000m
夜間自耗電 Self -consumption night	< 1W	< 1W	< 1W	< 1W
拓撲結構 Topology	transformerless	transformerless	transformerless	transformerless
冷卻方式 Cooling concept	Intelligent air cooling	Intelligent air cooling	Intelligent air cooling	Intelligent air cooling
保護等級 Enclosure	IP 65	IP 65	IP 65	IP 65
相對溼度 Relative humidity	0~100%	0~100%	0~100%	0~100%

特點 Features

DC 連結 DC connection	H4/MC4(opt)	H4/MC4(opt)	H4/MC4(opt)	H4/MC4(opt)
AC 連結 AC connection	Connector	Connector	Connector	Connector
顯示 Display	OLED+LED/WIFI+APP	OLED+LED/WIFI+APP	OLED+LED/WIFI+APP	OLED+LED/WIFI+APP
通訊接口 Interfaces:USB/RS485/WIFI GPRS/4G	yes/yes/opt/opt	yes/yes/opt/opt	yes/yes/opt/opt	yes/yes/opt/opt
質保期 : 5年/10年 warranty:5 years/10years	yes/opt	yes/opt	yes/opt	yes/opt

認證許可 Certificates and Approvals

EN 61000-3, EN 61000-6, EN/IEC 62109-1, EN/IEC 62109-2



輸入數據(直流) Input Data

	MAX 80KTL3 LV	MAX 80KTL3 MV	MAX 90KTL3 MV	MAX 100KTL3 MV
最大直流輸入功率 Max.DC power	104 000W	104 000W	1170 00W	1300 00W
最大直流輸入電壓 Max.DC voltage	1100V	1100V	1100V	1100V
啟動電壓 Start Voltage	250V	250V	250V	250V
直流輸入電壓範圍 PV voltage range	200V-1000V	200V-1000V	200V-1000V	200V-1000V
滿載DC工作電壓範圍 Full load DC voltage	600V-850V	685V-850V	730V-850V	730V-850V
額定電壓 Nominal voltage	600V	700V	730V	730V
各MPPT最大輸入電流 Max. input current per MPPT	25A	25A	25A	25A
MPPT數量/每路MPPT 組串數 Number of MPP trackers / strings per MPP tracker	7/2	7/2	7/2	7/2

輸出數據(交流) Output (AC)

額定交流輸出功率 Rated AC output power	80000W	80000W	90000W	100000W
最大交流輸出功率 Max. AC apparent power	88800VA	88800VA	100000VA	111000VA
最大交流輸出電流 Max. output current	128.8A	107.0A	115.7A	128.6A
額定輸出電壓/範圍 AC nominal voltage/range	230V/400V/340-440VAC	277V/480V/425-540VAC	288V/500V/425-540VAC	288V/500V/425-540VAC
額定電網頻率/範圍 AC grid frequency	50Hz/60Hz	50Hz/60Hz	50Hz/60Hz	50Hz/60Hz
功率因數 (cosφ) Power factor	0.8 leading ... 0.8 lagging	0.8 leading ... 0.8 lagging	0.8 leading ... 0.8 lagging	0.8 leading ... 0.8 lagging
諧波 THDi	<3%	<3%	<3%	<3%
交流連接類型 AC grid connection type	3W+N+PE	3W+PE	3W+PE	3W+PE

效率 Efficiency

最大效率 Max. efficiency	99.0%	99.0%	99.0%	99.0%
歐洲加權效率 Euro - eta	98.5%	98.5%	98.5%	98.5%
MPPT效率 MPPT efficiency	99.9%	99.9%	99.9%	99.9%

設備保護 Protection Devices

直流極性反接保護 DC reverse polarity protection	yes	yes	yes	yes
直流輸入開關 DC Switch	yes	yes	yes	yes
直流浪湧保護 DC Surge protection	Type II	Type II	Type II	Type II
絕緣阻抗檢測 Ground fault monitoring	yes	yes	yes	yes
交流短路保護 Output short circuit protection	yes	yes	yes	yes
輸出過壓保護 - 壓敏電阻 AC Surge protection	Type II	Type II	Type II	Type II

常規數據 General Data

尺寸 (寬/高/厚) mm Dimensions (W / H / D) in mm	860/600/300	860/600/300	860/600/300	860/600/300
重量 Weight	86kg	86kg	86kg	86kg
運行溫度範圍 Operating temperature range	-25°C ... +60°C	-25°C ... +60°C	-25°C ... +60°C	-25°C ... +60°C
噪音指數 Noise emission (typical)	≤55dB(A)	≤55dB(A)	≤55dB(A)	≤55dB(A)
夜間自耗電 Self-Consumption	< 1W*	< 1W*	< 1W*	< 1W*
拓撲結構 Topology	Transformerless	Transformerless	Transformerless	Transformerless
冷卻方式 Cooling concept	Smart cooling	Smart cooling	Smart cooling	Smart cooling
防護等級 Environmental Protection Rating	IP65	IP65	IP65	IP65
海拔高度 Altitude	4000m	4000m	4000m	4000m
相對濕度 Relative Humidity	0-100%	0-100%	0-100%	0-100%

特點 Features

顯示 Display	LED/WIFI+APP	LED/WIFI+APP	LED/WIFI+APP	LED/WIFI+APP
通訊介面: USB/RS485/GPRS/WIFI/4G/PLC Interfaces:USB/RS485/GPRS/WIFI/4G/PLC	yes/yes/opt/opt/opt/opt	yes/yes/opt/opt/opt/opt	yes/yes/opt/opt/opt/opt	yes/yes/opt/opt/opt/opt

認證許可 Certificates and Approvals

EN 61000-3, EN 61000-6, EN/IEC 62109-1, EN/IEC 62109-2, IEC 60529, NB/T 32004-2013, CGC/GF 035-2013, GB/T 19964-2012

mppGuard®

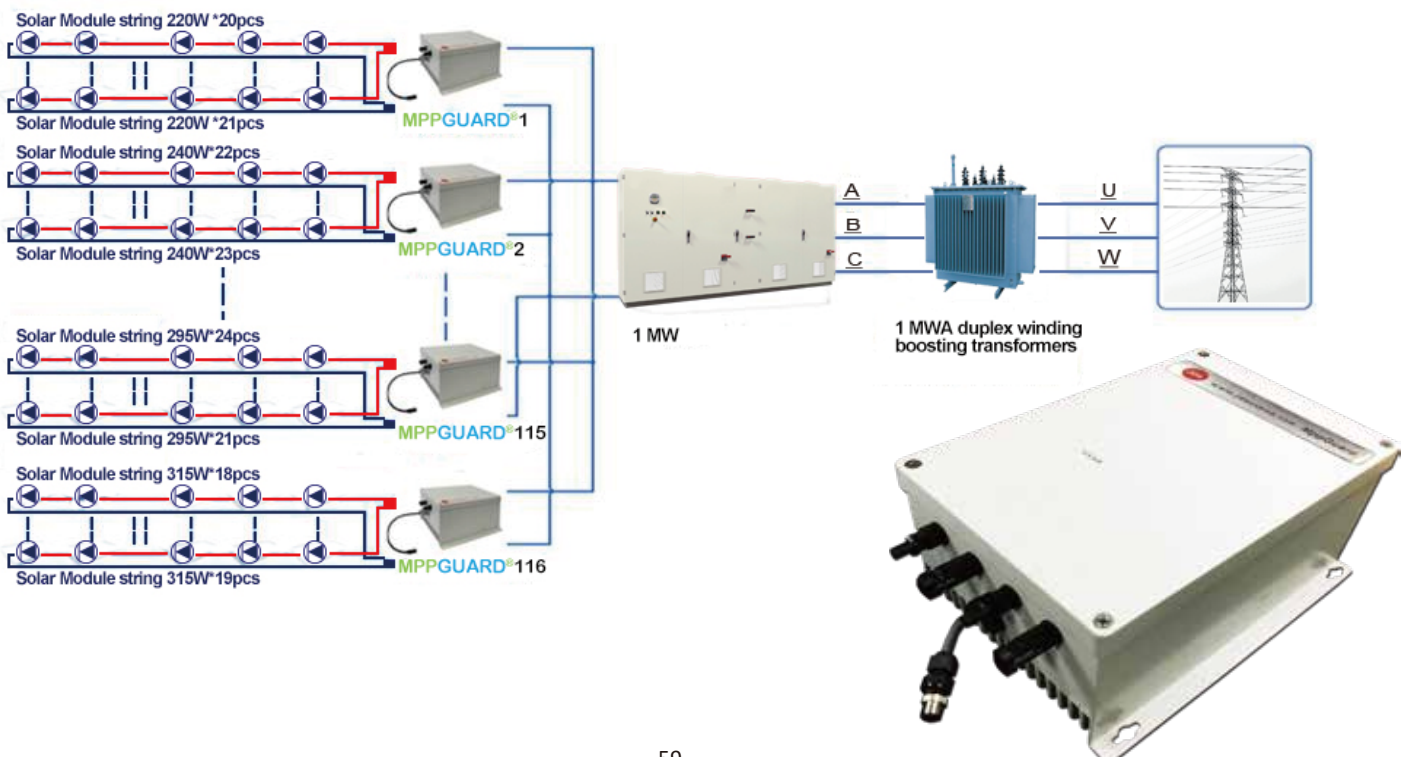
distributed string optimizer for centralized PV system

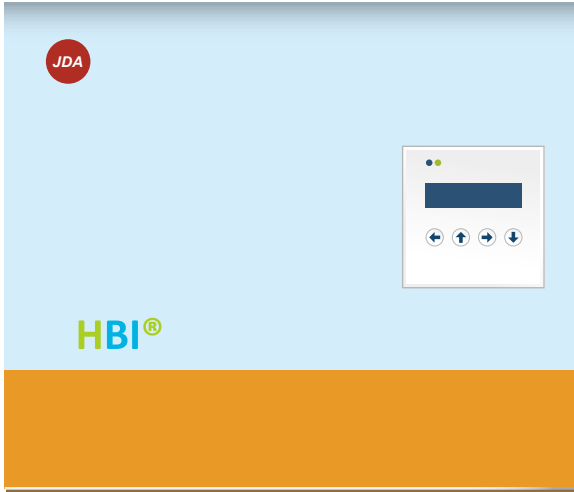
集中式變流器專用智慧型發電機接線箱 The intelligent generator junction box for a central inverter セントラルパワコン向けのスマート発電接続箱

內建串列監測，即時監測包括最大功率電壓、輸出電壓、直流電流及位址等參數值。

the mppGuard® is already integrated, all parameters will be measured such as Umpp, Uout, Adc, Temperature, ID etc.

技術資料 / technical data / テクニカルデータ			
靜止狀態下最大輸入電壓 max. input voltage in idle state 休止狀態最大入力電圧	950Voc DC	接線盒模組 junction modules 接続箱モジュール	插頭連結器/插座(MC4或兼容) plug connector/ plug socket (MC4 or compatible) コネクタプラグ/コンセント (MC4と互換性ある部品)
最大功率工作電壓範圍 Working area MPP-Voltage 最大電力点電圧の可動範圍	300 V – 800 V DC	接線箱直流輸出 junction DC-output 接続箱直流出力	插頭連結器/插座(MC4或兼容) plug connector/ plug socket (MC4 or compatible) コネクタプラグ/コンセント (MC4と互換性ある部品)
最大輸入電流/一迴路 max. input current/string 最大入力電流 (各ストリングあたり)	2 x 10 A DC Input power	接線傳輸/監測 junction communication / monitoring 接続箱のデータ転送・モニタリング	RS-485
輸入功率 Input power Input power	15 kWp	冷卻 cooling 冷却	被動式冷卻(自由對流) 可雲端控制 passive (free convection) web portal Control 受動性ウェブ管理 (自然對流)
最大輸出電壓(中間電路) max. output voltage (Intermediate circuit) 最大出力電圧 (中間回路)	800 V DC	效能監視 performance monitoring 効率監視	決定模組最優操作點使全系統收益最佳化 determination of the optimal operating point of the modules allows a yield optimization of the system モジュールの最適動作点を決め、太陽光発電システムの収益性を最適化へ。
最小輸出電壓(中間電路) min. output voltage (Intermediate circuit) 最低出力電圧 (中間回路)	590 V DC (20 V DC over input voltage)	最大功率追蹤任務 task of the MPP-Tracking 最大電力点追従	





Hybrid **HBI® / HbiPro®** PV INVERTER

Economically powerful solution for Photovoltaic and Storage 經濟實惠的光伏和儲能解決方案

FEATURES 特 性

- Best CP value
最佳性價比
- All-in-One
多機合一
- 96% Conversion Efficiency
轉換效率高達96%
- Standalone/Grid Interactive
獨立/併網
- 60A Charging Current
60A充電電流
- 200% Overload
200%超載
- Wall or 19" mount optional
壁掛或19"安裝可選
- Net-metering & Self-use
淨計量和自用
- Operation without Battery
無電池操作
- UPS Function
不斷電功能
- IEC62109-1/-2, VDE0126-1-1
EC62109-1/-2認證, VDE0126-1-1認證
- High Temp. & Humidity
高溫高濕
- Parallel Operations
並聯操作
- Cloud Monitoring (Optional)
雲監測(可選)
- VRLA, LFP/NMC, CNT Batteries & Others
閥控式鉛酸蓄電池·磷酸鋰鐵/鎳錳鈷
奈米碳管電池及其他

Model		HBI-3000-E-xx*	HBI-5000-E-xx*	HBI-5500-E-xx*
Input (PV) 輸入(PV)		Unit 單位		
Max. PV Power 最大光伏功率	W _p	3000	5000	5500
MPPT Range ¹ 追蹤電壓範圍 ¹	V	150 ~ 450	150 ~ 450	120 ~ 450
Max. DC Voltage 最大直流電壓	V	500	500	500
Max. Current 最大電流	A	10	20	2/2*13
Input (AC) 交流輸入 (AC)		Unit 單位		
Nominal Voltage, Frequency 標稱電壓、頻率	V/Hz	230, 50/60		
Max. Current 最大電流	A	15	25	23.9
Battery 電池				
Nominal Voltage 標稱電壓	V	48	48	48
Max. Charging I Current 最大當充電 I 電流	A	40,60	60,100	60,120
Output (AC) 輸出 (AC)		Unit 單位		
Nominal Power 標稱功率	W/VA	2400/3000	4000/5000	4000/5500
Nominal Voltage, Frequency 標稱電壓、頻率	V/Hz	120, 50/60 230, 50/60		
Over - Load Capacity 過載能力	%	200		
Waveform 波形		Pure Sinusoidal 純正弦波		
Regulation (Linear Load) 調節 (線性負載)	%	± 2		
General 一般				
Temperature Range ² 溫度範圍 ²	°C	- 20 ~ 55		
Environment 環境		Indoor 室內		
Cooling 冷卻		Forced Air - Cooling 強制風冷 - 冷卻		
Humidity 濕度	%	0~95, non-condensing 0~95 · 不冷凝		
Battery Type 電池型號		VRLA or LiFePO ⁴ 閥控式鉛酸蓄電池或磷酸鋰鐵電池		
UPS function 不斷電功能		Yes. Transfer time < 4mS ³ 是 · 切換時間 < 4mS ³		
Parallel Operation 並聯操作		No 否	Yes 是	No 否
Interface & Mechanical 機構介面				
Display 顯示		16 x 2 Text Display 16 x 2 行字串		

Note: 1. Input power may be reduced for VPV < 265V 2. AC power may need to be reduced for T > 40°C 3. Valid for single unit operation 4. Design to meet 5. Specifications are subject to change without prior notice

1.當光伏電壓小於265V其輸入功率會減少 2.當溫度大於40度時交流功率將降低 3.僅單機操作 4.設計符合 5.規格變更恕不另行通知 *stanealone -SA. (*獨立型-SA)

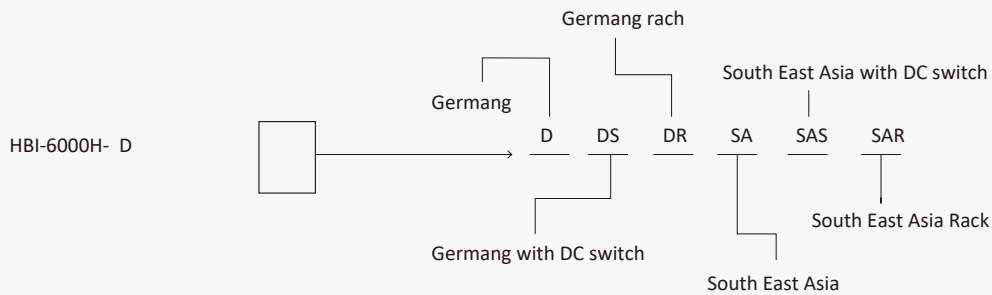


Specifications

Item	Model ²	Unit	HBI-3600H	HBI-5000H	HBI-6000H
Input (Mains, AC)					
Nominal Voltage		V		230	
Voltage Range		V		190 ~ 300	
Nominal Frequency		Hz		50/60	
Power Factor				0.99	
Maximum Current		A	15	25	25
Inrush Current		A/μS		100/200	
Max. Power		VA	3300	5500	5500
Input (PV, DC)					
Maximum Power		W	3600	5000	6000
Maximum Voltage		V	550	500	500
MPPT Range ³		V	100~500	100~450	100~450
Start-up Voltage		V	150	150	150
Maximum Current		A	10	20	10x2
Absolute Max. Current (Isc)		A	15	30	15
MPP tracker No.			1	1	2
Max. Backfeed Current		mA	1.6	1.6	1.6
Battery I/O (DC)					
Nominal Voltage		V		48	
Voltage Range		V		40~59	
Nominal Current		A	70	116	116
Maximum Current		A	90	150	150
Max. Charge Current ⁴		A	60	20	100
Max. Leakage		mA		1	
Output (Load, AC)					
Nom. Power		VA	3000	5000	5000
Max. Power		W	3000	5000	5000
Inrush Current		A/μS	100/200	100/200	100/200
Max. Fault Current		A	50	79	79
Max. Protection Over-current		A	50	79	79
Nominal Voltage		V		230	
Nom. Frequency		Hz		50/60	
THDV		%		5	
Voltage Regulation		%		2	
DC injection		mV		±100	
Overload Capacity				600 seconds for 100% ≤ load ≤ 110% 30 seconds for 110% < load ≤ 150% 10 seconds for 150% < load ≤ 200%	
General					
Temp. Range		°C		-20 ~ 55 ⁵	
Max. Eff. (PV/AC)		%	96	96.5	96.5
Max. Eff. (BAT/AC)		%	92	92	92
Protection				IP20	
Humidity		%		0~95, non condensing	
Cooling				Forced Air-cooling Variable fan speed control	
Protection Class				I	
Environment Cat.				Pollution Degree III	
Oversvoltage Cat.				DC input: II, AC input: III	
Amplitude		m		<2000	
Reconnect Time ⁶		S		300	
Features					
LCD				2-line 16 characters text	
Interface				USB, RS485 & CANbus for multiple-unit operations	
RS485				2 wires, half-duplex	
Date Logging				Yes	
Parallel Operation			Yes	No	Yes
Max. Units for Parallel Operation			6	NA	6
Max. Units for 3-phase connection			9, 3 units in each phase	NA	9, 3 units in each phase

Specifications

Item	Model ²	Unit	HBI-3600H	HBI-5000H	HBI-6000H
Mechanical					
W x H x D		mm	580 x 408 x 168, wall mount models 490 x 165 x 580, rack mount models		
Weight		kg	22	23.8	24.2
DC switch				Optional ⁷	
Compliance					
Grid Monitoring ⁸			VDE0126-1-1/A1 IEEE 519 CEA (2013), IEC 61727, IEC 62116		
Safety			IEC 62109-1, 62109-2 EN61000-6-4,		
EMC Emission			EN61000-3-2, EN61000-3-3	EN61000-3-11, EN61000-3-12	
EMC Immunity			EN61000-6-2		
Battery					
Capacity			100Ah/12V x 4 per bank		
Official Type			Refer to table below		
Coding rule					



Note:

- Specifications are subject to change without prior notice
- There are some variations for each model. Models with suffix “-SA” are off-grid; with “-D” are hybrid models with grid connection capability
- The input power may be reduced for voltage lower than 250V
- Charge current will adjusted according to battery configuration
- Output power may be reduced for temperature > 40°C
- Only for on-grid mode
- For models with “/S” appended to normal model names
- For –D models



日燭科技有限公司
JD Auspice Co., Ltd.

