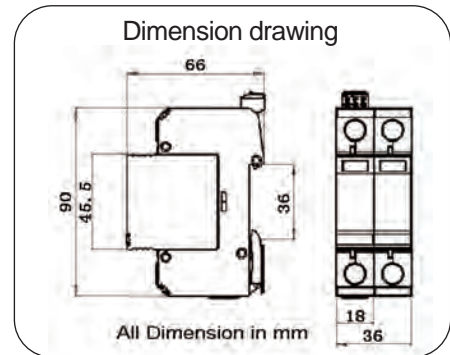
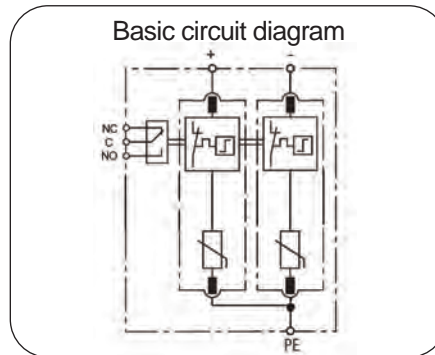




PV40/1000-MVCR



Type 2 SPD designed for low voltage system protection against surges at the boundaries from lightning protection zone 1-2 and higher.

- ⊙ Class II surge protector for Photovoltaic system
- ⊙ IEC61643-31, EN50539 compliance
- ⊙ Type 2, common mode surge protection, 40kA surge arrester
- ⊙ Pluggable design SPD, easy replacement
- ⊙ Reliable supervision due to disconnection device
- ⊙ Fault indication by red indication flag in window
- ⊙ With remote alarm terminal optional

Part No.	PV40/1000-MVCR	
In accordance with	IEC61643-31, EN50539	
Category IEC/VDE	II/ C	
Protection Mode	Common mode	
Nominal voltage (Vdc)	U_0	1000
Max. continuous operating voltage (Vdc)	U_{cpv}	1060
Nominal discharge current(8/20)	I_n	20kA
Max. discharge current(8/20)	I_{max}	40kA
Voltage protection rating	U_p	<3.6kV
Short-circuit current rating(I_{scpv})		1000A
Response time		≤ 25ns
Follow current		No
Backup fuse(only required if not already provided in mains)		125A gR/gPV
Operating temperature range		- 40°C ~ + 80°C
Cross-section of connection wire		Single-strand 35mm ² ; multi-strand 25mm ²
Mounting		35mm DIN-rail in accordance with EN 50022/DIN46277-3
Enclosure material		thermoplastic; extinguishing degree UL94 V-0
Degree of protection		IP20
Installation width		2 modules, DIN 43880
Thermal disconnecter		Internal green – normal ; red - failure
Remote alarm contact		Optional
Approvals, Certifications		CE
Additional data for Remote Alarm Contacts		
Remote alarm contact type		Isolated Form C
Switching capability U_n/I_n		AC: 250V/0.5A DC: 250V/0.1A; 125V/0.2A; 75V/0.5A
Max. Size of connecting wire		Max. 1.5mm ² (or # 16AWG)

Note: Subject to change without any notice.