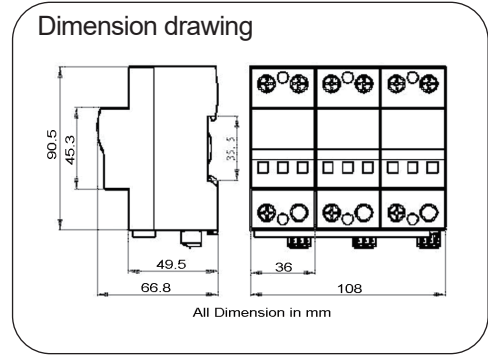
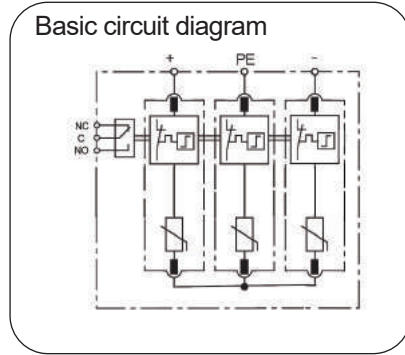


PVxx/1500-MVCDR



DC SPD designed for low voltage system protection against surges at the boundaries from lightning protection zone 1-2 and higher.

- Class II surge protector for Photovoltaic system
- In accordance with EN50539
- With common mode and differential mode surge protection
- Reliable supervision due to disconnection device;
- Fault indication by red indication flag in window;
- With remote alarm terminal optional;

Part No.		PV60/1500-MVCDR	PV100/1500-MVCDR
In accordance with		EN50539	
Category IEC/VDE		II/ C	
Protection Mode		Common mode & Differential mode	
Nominal voltage (Vdc)	Un	1500	
Max. continuous operating voltage (Vdc)	Ucpv	1520	
Nominal discharge current(8/20)	In	30kA	50kA
Max. discharge current(8/20)	Imax	60kA	100kA
Voltage protection rating	Up	<6.5kV	<6.5kV
	VPR	<4.8kV	<4.8kV
Short-circuit current rating(Iscpv)		1000A	
Response time		≤25 ns	
Follow current		No	
Operating temperature range		- 40°C ~ + 80°C	
Cross-section of connection wire		Single-strand 35mm ² ; multi-strand 25mm ²	
Mounting		35mm DIN-rail in accordance with EN 50022/DIN46277-3	
Enclosure material		thermoplastic; extinguishing degree UL94 V-0	
Degree of protection		IP20	
Installation width		6 modules, DIN 43880	
Thermal disconnector		Internal green – normal ; red - failure	
Remote alarm contact		Optional	
Approvals, Certifications		CE	
Additional data for Remote Alarm Contacts			
Remote alarm contact type		Isolated Form C	
Switching capability Un/In		AC: 250V/0.5A DC: 250V/0.1A; 125V/0.2A; 75V/0.5A	
Max. Size of connecting wire		Max. 1.5mm ² (or # 16AWG)	