

## Three Phase (3 MOV Modules) Surge Protective Devices

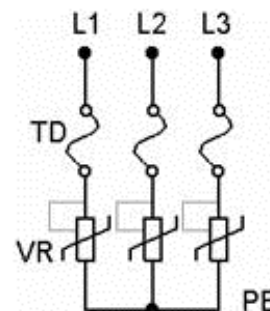
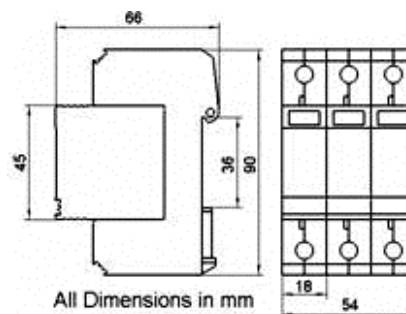
Type: D3-40/440-3MV-R

Surge arrester for low-voltage power supply system protection against surges at the boundaries from lightning protection zone 0B-1 and higher.



### Terminal Block Modules series

- Class II (C) arrester in according with IEC61643-1:2005.
- Fail Safe System (Patent)
- Two part design consisting of base and plug-in protection module.
- High energy MOV (Metal Oxide Varistor) inside.
- Reliable supervision due to disconnection device.
- Fault indication by red indication flag in window.
- Fast response.
- With remote alarm terminal optional.



### Technical Data

Type	D3-40/440-3MV-R	
	385	
In accordance with	IEC61643-1:2005; UL1449 3rd	
Category IEC/VDE	II/ C	
Max. continuous operating voltage (AC/DC)	440/585	
Nominal discharge current (8/20) In (L-PE)	20KA	
Max. discharge current(8/20) I <sub>max</sub>	40KA	
Voltage protection level at In	2.2KV	
Let through voltage @3KA (8/20)	1.5KV	
Response time	≤25 ns	
Follow current	No	
Backup fuse(only required if not already provided in mains)	125A gL/gG	
Operating temperature range	- 40°C ~ + 80°C	
Cross-section of connection wire	Single-strand 35mm <sup>2</sup> ; multi-strand 25mm <sup>2</sup>	
Mounting	35mm DIN-rail in accordance with EN 50022/DIN46277-3	
Enclosure material	thermoplastic; extinguishing degree UL94 V-0	
Degree of protection	IP20	
Installation width	3 modules, DIN 43880	
Thermal disconnecter	Internal green - normal red - failure	
Remote alarm contact	Yes	
Additional data for Remote Alarm Contacts		
Remote alarm contact type	floating changeover contact	
Switching capability U <sub>n</sub> /I <sub>n</sub>	AC: 250V/0.5A DC: 250V/0.1A; 125V/0.2A; 75V/0.5A	
Cross-section of connection wire	Max. 1.5mm <sup>2</sup>	