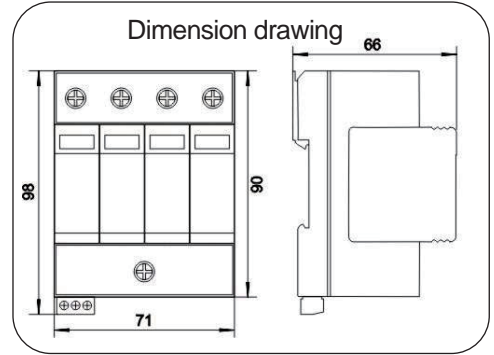
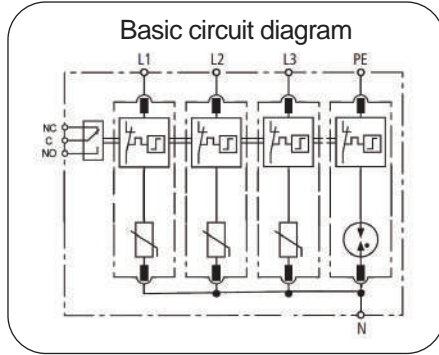


# D3-50/420-3VG-R



Surge arrester for low-voltage power supply system protection against surges at the boundaries from lightning protection zone 1-2 and higher.

|   |  |            |
|---|--|------------|
| Type  | D3-50/420-3VG-R  |            |
| Nominal voltage (Un)  | 230V/400V  |            |
| In accordance with  | IEC61643-11; UL1449 3rd  |            |
| Category IEC/VDE  | II/ C  |            |
| Max. continuous operating voltage (Uc)                          | L – N(AC/DC)   | 420V/560V  |
|   | N–PE( AC)  | 255V       |
| Nominal discharge current(8/20) In                              | L–N  | 20kA       |
|   | N-PE   | 20kA       |
| Max. discharge current(8/20) Imax                               | L-N  | 50kA       |
|   | N-PE   | 50kA       |
| Voltage protection level (VPR@3KA)                              | VPR(L-N)   | <1.5kV     |
|   | VPR(N-PE)  | <2.0kV     |
| Response time   | L-N  | ≤25 ns     |
|   | N-PE   | ≤100 ns    |
| Follow current  | L-N  | No         |
|   | N-PE   | 100Arms@Uc |
| Backup fuse<br>(only required if not already provided in mains) | 125A gL/gG   |            |
| Operating temperature range                                     | - 40°C ~ + 80°C  |            |
| Cross-section of connection wire                                | Single-strand 35mm <sup>2</sup> ; multi-strand 25mm <sup>2</sup> |            |
| Mounting  | 35mm DIN-rail in accordance with EN 50022/DIN46277-3             |            |
| Enclosure material  | thermoplastic; extinguishing degree UL94 V-0                     |            |
| Degree of protection  | IP20   |            |
| Installation width  | 4 modules, DIN 43880   |            |
| Thermal disconnecter  | Internal green – normal ; red - failure                          |            |
| Remote alarm contact  | Yes  |            |
| SCCR rating   | 200kA  |            |
| Approvals, Certifications                                       | ETL/CE   |            |
| <b>Additional data for Remote Alarm Contacts</b>                |  |            |
| Remote alarm contact type                                       | Isolated Form C  |            |
| Switching capability Un/In                                      | AC: 250V/0.5A DC: 250V/0.1A; 125V/0.2A; 75V/0.5A                 |            |
| Max. Size of connecting wire                                    | Max. 1.5mm <sup>2</sup> (or # 16AWG)                             |            |