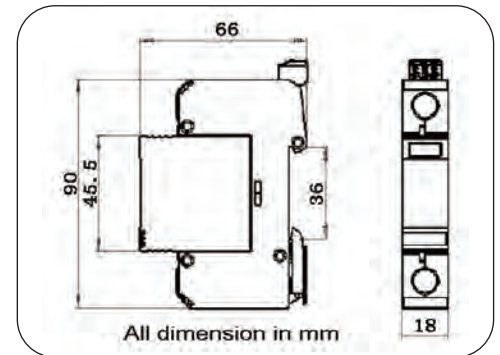
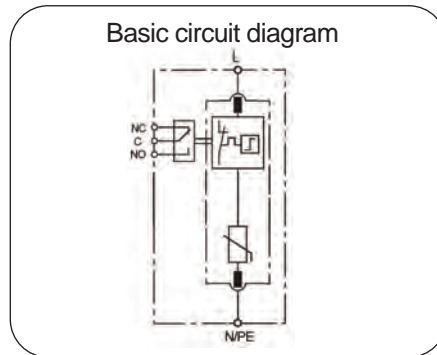


MV80P/320-R



Type 2 AC surge arrester designed for low-voltage power supply system protection against surges at the boundaries from lightning protection zone 1-2 and higher.

- ⊙ Multi MOV technology
- ⊙ Individual fault window indication
- ⊙ slim 18mm, pluggable type design
- ⊙ I_{max} 80kA 8/20, I_n 40kA 8/20, UL1449 4th compliance
- ⊙ Reliable supervision due to disconnection device

Part No.	MV80P/320-R	
In accordance with	IEC61643-11:2011	
Category IEC/VDE	II/ C	
Max. continuous operating voltage (AC/DC) U _c	320/420	
Nominal discharge current(8/20) I _n	40kA	
Max. discharge current(8/20) I _{max}	80kA	
Voltage protection level U _p	@ I _n	<1.5kV
	@ VPR	<1.1kV
Response time	≤ 25ns	
Follow current	No	
Backup fuse(only required if not already provided in mains)	200A gL/gG	
Operating temperature range	- 40°C ~ + 80°C	
Cross-section of connection wire	Single-strand 35mm ² ; multi-strand 25mm ²	
Mounting	35mm DIN-rail in accordance with EN 50022/DIN46277-3	
Enclosure material	thermoplastic; extinguishing degree UL94 V-0	
Degree of protection	IP20	
Installation width	1 module, DIN 43880	
Thermal disconnect	Internal red - failure	
Remote alarm contact	Yes	
Approvals, Certifications	CE	
Remote alarm contact type	Isolated Form C	
Switching capability U _n /I _n	AC: 250V/0.5A DC: 250V/0.1A; 125V/0.2A; 75V/0.5A	
Max. Size of connecting wire	Max. 1.5mm ² (or # 16AWG)	

Note: Subject to change without any notice.