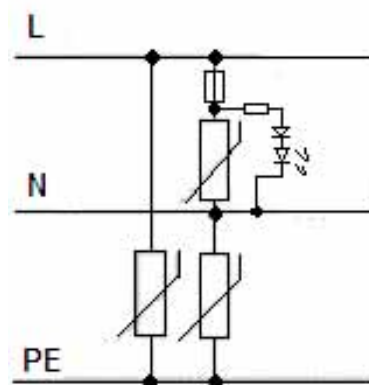
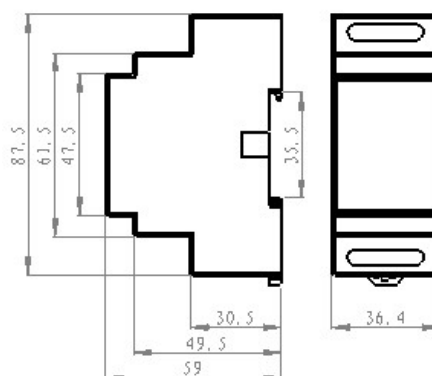


# 電源防雷器 SDT/110-20-F1



- 1、二端口F型突波保護器
- 2、按照 IEC61643-11、ANSI/IEEE C62.41-1991 標準設計
- 3、110V 單相系統保護
- 4、35mm DIN 導軌安裝
- 5、LED 燈失效指示
- 6、限制電壓 (突波消除能力) : 保護電壓為 110V 時,  $\leq [800] V$ 。
- 7、負載電流=5A



## Technical Data

Type		SDT/150-20-F1
Nominal Voltage Un		110V
Modes of protection		L-N、N-PE、L-PE
Max. continuous operating voltage (AC/DC)		150V
Nominal discharge current (8/20) In	L-N	10KA
	N-PE	10KA
	L-PE	10KA
Max. discharge current(8/20) Imax	L-N	20KA
	N-PE	20KA
	L-PE	20KA
Voltage protection level	@ In	800V
Response time		$\leq 25 ns$
Nominal load current ac IL		5A
Indication		LED light indication
Operating temperature range		- 40°C ... + 80°C
Mounting		35mm DIN-rail in accordance
Enclosure material		thermoplastic; extinguishing degree UL94 V-0
Degree of protection		IP20
Dimension		87(L)×36(W)×59(H)mm