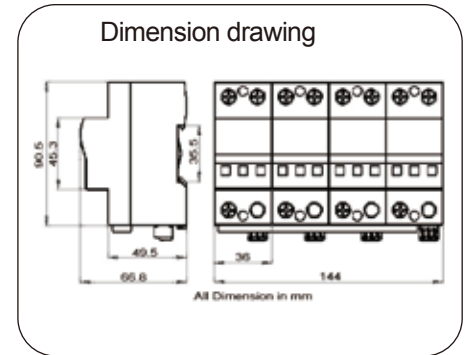
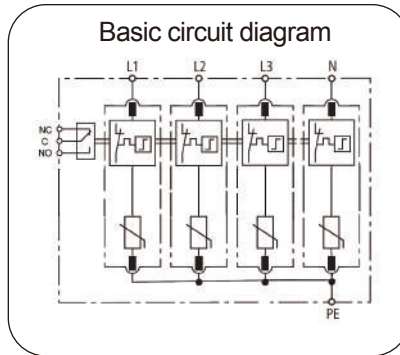
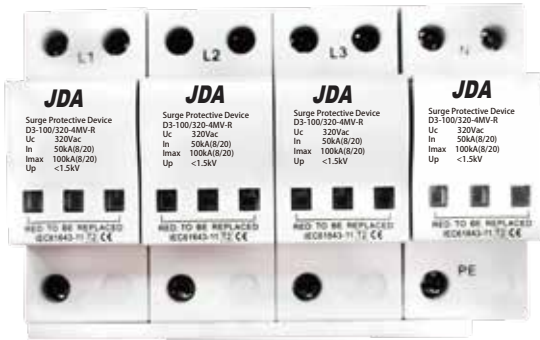


# D3-100/320-4MV(-R)



Surge arrester for low-voltage power supply system protection against surges at the boundaries from lightning protection zone 1-2 and higher.

|   |  |
|---|--|
| Type  | D3-100/320-4MV(-R)<br>320V/220V                                  |
| In accordance with  | IEC61643-11:2011; UL1449 3rd                                     |
| Category IEC/VDE  | II/ C  |
| Max. continuous operating voltage (AC/DC)                       | 320/505  |
| Nominal discharge current(8/20) In                              | 50kA   |
| Max. discharge current(8/20) I <sub>max</sub>                   | 100kA  |
| Voltage protection level @In                                    | <1.5kV   |
| Response time   | ≤25 ns   |
| Follow current  | No   |
| Backup fuse<br>(only required if not already provided in mains) | 250A gL/gG   |
| Operating temperature range                                     | - 40°C ~ + 80°C  |
| Cross-section of connection wire                                | Single-strand 35mm <sup>2</sup> ; multi-strand 25mm <sup>2</sup> |
| Mounting  | 35mm DIN-rail in accordance with EN 50022/DIN46277-3             |
| Enclosure material  | thermoplastic; extinguishing degree UL94 V-0                     |
| Degree of protection  | IP20   |
| Installation width  | 8 modules, DIN 43880   |
| Thermal disconnecter  | Internal red - failure   |
| Remote alarm contact  | Yes  |
| Approvals, Certifications                                       | CE   |
| Additional data for Remote Alarm Contacts                       |  |
| Remote alarm contact type                                       | Isolated Form C  |
| Switching capability Un/In                                      | AC: 250V/0.5A DC: 250V/0.1A; 125V/0.2A; 75V/0.5A                 |
| Max. Size of connecting wire                                    | Max. 1.5mm <sup>2</sup> (or # 16AWG)                             |

Note: Subject to change without any notice.