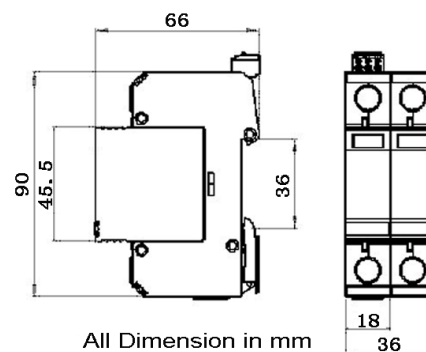
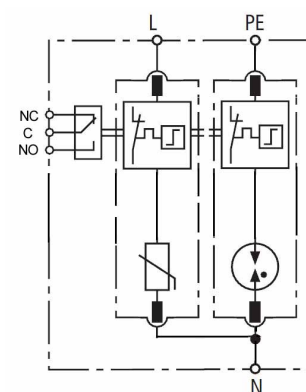


# Single Phase (1 MOV Modules and 1 GDT module) Surge Protection Device

## TYPE: JDA D1-50/150-VG-R

Surge arrester for low-voltage power supply system protection against surges at the boundaries from lightning protection zone 0B-1 and higher.

- Class I+II (B+C) arrester in accordance with IEC61643-11:2011, UL1449 3rd.
- Two part design consisting of base and plug-in protection module.
- High energy MOV (Metal Oxide Varistor) and Gas Discharge Tube (GDT) inside.
- Reliable supervision due to disconnection device.
- Fault indication by red indication flag in window.
- Fast response.
- With remote alarm terminal optional.



All Dimension in mm

## Technical Data

Type		D1-50/150-VG-R
Nominal Voltage		110Vac
In accordance with		IEC61643-11:2011; UL1449 3rd
Category IEC/VDE		I+II/B+C
Max. continuous operating voltage (AC/DC)	L-N	150/200
	N-PE	255
Nominal discharge current (8/20) In	L-N	7kA
	N - PE	25kA
Max. discharge current(8/20) Imax	L-N	50kA
	N - PE	50kA
Lightning impulse current(10/350) Iimp	L-N	7kA
	N - PE	25kA
Voltage protection level	L-N@In	<0.8kV
	N-PE(1.2/50)	<1.5kV
Response time	L-N	≤25 ns
	N-PE	≤100 ns
Follow current	L-N	No
	N-PE	100Arms@Uc
Backup fuse(only required if not already provided in mains)		160A gL/gG
Operating temperature range		- 40°C ~ + 80°C
Cross-section of connection wire		Single-strand 35mm <sup>2</sup> ; multi-strand 25mm <sup>2</sup>
Mounting		35mm DIN-rail in accordance with EN 50022/DIN46277-3
Enclosure material		thermoplastic; extinguishing degree UL94 V-0
Degree of protection		IP20
Installation width		2 modules, DIN 43880
Thermal disconnecter		Internal green – normal red - failure
Remote alarm contact		Yes

Note: Subject to change without any notice.