

PT 100 Ω TR

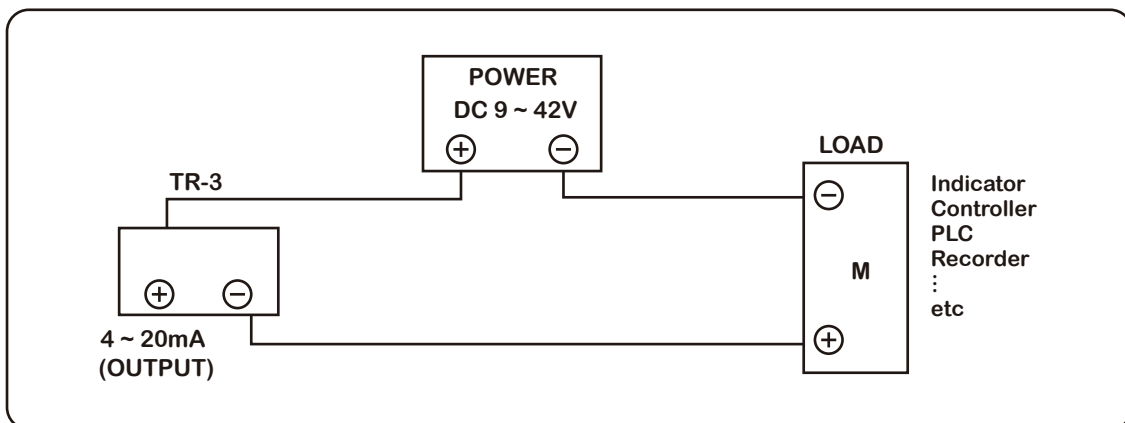
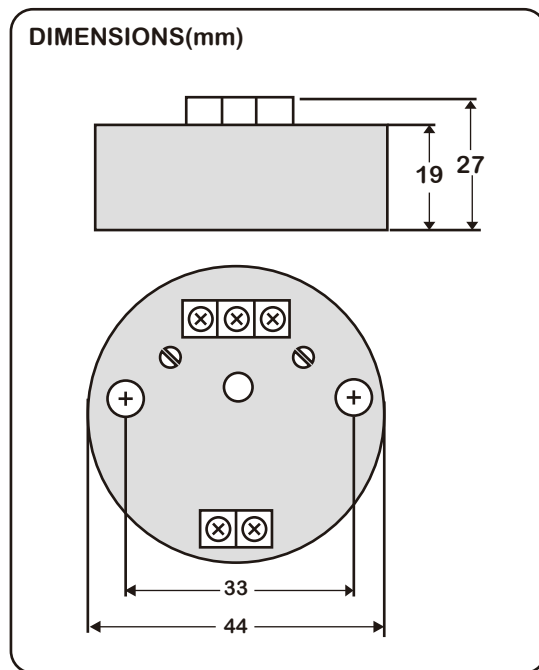
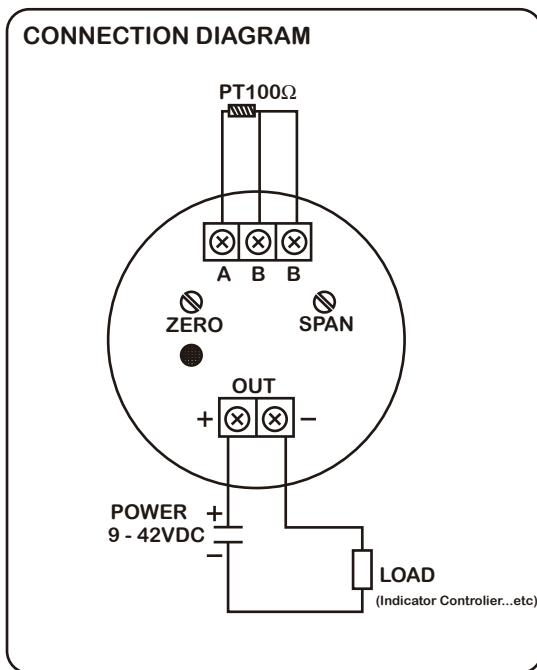
系列溫度信號傳送器

RTD Temperature Transmitter

TR series



- INPUT : 3-Wire 100 Ω PIN43760
- OUTPUT : 4~20 mA dc.
- RANGE : 0~50 $^{\circ}$ C, 0~100 $^{\circ}$ C, 0~200 $^{\circ}$ C, 0~300 $^{\circ}$ C, 0~400 $^{\circ}$ C, -50~+50 $^{\circ}$ C, -100~0 $^{\circ}$ C, -100~+100 $^{\circ}$ C, -100~+150 $^{\circ}$ C, -150~+150 $^{\circ}$ C, -20~+120 $^{\circ}$ C, 0~100 $^{\circ}$ C ...etc,
 Special type available
- Supply Power : 9~42 VDC recommend
- Fine Tuning Calibration : Zero & Span.



note: subject to change without any notice, JDA pay no responsibility