

2009/10



## Industrial Plugs and Sockets

JD Auspice Co.,Ltd.  
TEL: 886-2-2595-9780  
FAX: 886-2-2595-9412  
service@jdauspice.com  
www.jdauspice.com



---

## Editorial



**Dear Customers,  
Dear Business Partners,**

with this catalogue we would like to invite you to explore the multi-faceted world of modern electronic installation devices. There is so much waiting to be discovered. But regardless of which product you choose, with ABL SURSUM you are choosing TRADITION and QUALITY, INNOVATION and EMOTION.

We are a traditional family-owned company and are filled with pride that, more than 80 years after the invention of the SCHUKO system, we are able to offer you one of the most extensive ranges of products in the area of electrical installation technology in a time of rapid change and accelerating globalisation.

Quality is the decisive factor for us. With proven materials, first-class workmanship and the highest quality standards, ABL SURSUM products are ideal for use in industry and small trade.

Only those who are open to change will be successful in the future. This guiding principle is what motivates us daily to make sure that we always use state-of-the-art technology, do not remain still, and continuously develop products innovatively for our customers with the most modern means available.

At ABL SURSUM, emotion is the enthusiasm for successful products. That is why we always work closely with our customers and can meet their specific requirements and offer individual solutions as quickly as possible. Our excellent service is always at your side, ready to provide support.

Sincerely

A handwritten signature in blue ink that reads "Stefan Schlutius". The signature is written in a cursive style.

Dr. Stefan Schlutius  
CEO





## Your direct line to us



**We see service as a top priority - and our customers realise and appreciate it!**

**Every order contains special requirements, requires competent advice, needs efficient, cost-effective solutions and, of course, must be fast.**

**Those are exactly the strengths of ABL SURSUM:**

- open to the technical problems and individual requirements of our customers
- proximity to customers and flexibility in working out individual solutions
- advice and problem analysis with the excellent technical qualifications of our employees
- fast offer and order processing
- high degree of vertical integration in-house
- need-based warehouse storage – that means that for you as a customer: short delivery times for all standard products
- high degree of on-time delivery using a finely-meshed distribution network and modern logistics



### **Sales Service Germany**

Telephone: +49 (0)9123/188-240, -182, -178, -135

### **Sales Service Abroad**

Telephone: +49 (0)9123/188-237, -197, -136, -116

### **Technical Service**

Telephone: +49 (0)9123/188-164, -126, -148

**Fax: +49 (0)9123/188-188, -189**

**E-mail: [info@abl-sursum.com](mailto:info@abl-sursum.com)**



**Detailed information can be found at:  
[www.abl-sursum.com](http://www.abl-sursum.com)**



---

## Table of contents

ABL SURSUM – the company	Page	06
Highly-reliable system solutions	Page	10
HighPower technology	Page	14
plug2power	Page	16
turn2fix	Page	17
Technology in detail	Page	18
Explanation of the protective contact position	Page	23
CEE Plugs	Page	26
CEE Angle plugs	Page	30
CEE Wall-mounted inlets	Page	32
CEE Appliance inlets	Page	35
CEE Phase inverter	Page	40
CEE Covers	Page	43
CEE Connectors	Page	44
CEE Wall-mounted socket outlets	Page	48
CEE Combi wall-mounted socket outlets	Page	52
CEE Wall-mounted socket outlets, CombiSwitch	Page	54
CEE Panel-mounted socket outlets	Page	56
CEE Surface-mounted socket outlet/ Flush-mounted socket outlet	Page	73
EventLine	Page	74
CamoLine	Page	76
CEE Switched interlocked wall-mounted socket outlets	Page	80
- with DIN rail	Page	86
- with Neozed fuse base	Page	88
- with MCBs	Page	90
CEE Wall-mounted socket outlets with protection	Page	91
CEE Plugs and socket outlets – 7 poles	Page	94
CEE Container plugs and socket outlets	Page	98
CEE Multiple socket outlets	Page	100
CEE Adapter	Page	102
CEE Inlet with switch	Page	103
CEE Low-voltage plugs and socket outlets	Page	106
CEE Systems for caravans and boats	Page	114
ABL SURSUM – the product range	Page	118
Article number directory	Page	124

## From conception to delivery

We are oriented towards the requirements of the national and international markets and the desires of our customers which we approach passionately with a wealth of ideas, engineering skills and the power of innovation.



**Location:**  
**Innovative products from Lauf**

With a wide range of more than 7,000 products, the traditional Franconian company ABL SURSUM delivers to markets all around the world.





**Development:  
Everything in-house**

Every new product begins with an idea. In order to implement it, a lot of experience and the right tools are needed. That is why development at ABL SURSUM is not only carried out with the most modern CAD software available, but also in constant dialogue with customers. Because it is only with exact knowledge of products and markets that one can create innovative, need-based products.

**Tool and equipment manufacture:  
Focus on quality**

The quality of a production starts with the right production facilities. That is why ABL SURSUM builds and maintains its own custom plastic and metal machining tools. At the same time, a large proportion of the machines and equipment are constructed in our own equipment manufacturing facilities. Because if you plan and build something yourself, you can maintain it optimally, adjust it to meet new challenges and constantly develop it further.



**Vertical integration:  
Greatest perfection down to the smallest detail**

Even the smallest detail can be decisive in determining the perfection of the whole. The extensive vertical integration of ABL SURSUM guarantees the highest quality and dimensional accuracy over a product's entire life cycle. An Acquisition Management perfectly harmonised with Production allows materials to be available on time without interruption of work flow.



**Final assembly:  
Combining know-how and technology**

Experienced, qualified employees and a high level of automation enable on-time production, while maintaining a consistently high level of quality. Because only high-quality products are convincing in the long term.





**Quality control:  
No compromises**

Permanent quality monitoring with the assistance of the most up-to-date inspection procedures is a matter of course at ABL SURSUM. That is why there are no compromises when it comes to monitoring ongoing production and the final inspections.  
ABL SURSUM is also certified according to DIN ISO 9001.

**Logistics:  
Service begins with delivery**

In this day and age of tighter and tighter schedules, a well-organised distribution network and modern logistics ensure on-time delivery to both domestic and foreign markets. This ensures that ABL SURSUM with an export rate of over 50%, can deliver daily on-time to numerous customers all over the world.



## We are available for you – wherever you are

### Representatives throughout Europe:

Belgium	Netherlands
Denmark	Norway
Estonia	Austria
Finland	Poland
France	Portugal
Greece	Romania
Great Britain	Sweden
Ireland	Switzerland
Italy	Slovakia
Latvia	Spain
Lithuania	Czech Republic
Luxemburg	Hungary



### International representatives:

Egypt	Chile	Canada	Russia	Ukraine	Belarus
Argentina	China	Croatia	Singapore	USA	
Azerbaijan	Georgia	Morocco	South Africa	Venezuela	
Bolivia	India	Mexico	Taiwan	United Arab Emirates	
Bosnia Herzegovina	Iceland	New Zealand	Thailand	Vietnam	





## System solutions with the highest reliability

**CEE Plug connections from ABL SURSUM can do more than simply transfer electricity. They effectively and reliably support you in everyday tasks because they can stand up to the harshest of conditions.**

Regardless of cold, heat, dust, water or pressure/ tensile/ impact loads in the most diverse conditions under extreme use: You can rely on our products everywhere and on any occasion.

All products are developed and manufactured to the highest quality demands, intelligence, engineering skills as well as with many years of experience. International certification by independent institutes and extensive testing procedures in our labs confirm our excellent level of quality.

**We provide the best connections.**







## Convincingly perfect



### Connections that remain sealed

Cold, damp or dirt – daily work always creates new endurance tests in which only sophisticated products can survive unscathed. CEE plug connections from ABL SURSUM in degree of protection IP67 are made of high-quality technical plastics (PA6 or PC/ABS) and have special characteristics for extreme applications. Excellent impact resistance with a high degree of stiffness and strength are characteristic of our products - just like their high chemical resistance to many standard chemicals. Our products are, of course, free of cadmium and halogens (fluorine, chlorine, bromine, iodine, and astatine) and conform to the RoHS Directive 2002/95/EG.



### Connections which stand up to all sorts of weather

Neither extreme heat nor cold can harm ABL SURSUM products. They have a temperature resistance of -25 °C to +80 °C, short-term (= up to 1 hour) even up to +100 °C, and thus significantly exceed the requirements set down in IEC/EN 60309. High weather resistance increases the level of quality with very good insulation characteristics and sets almost no limits when it comes to use. Great grip in any weather and in any situation – even with gloves.



### Connections which are perfectly stable

CEE plug connections from ABL SURSUM not only hold steady, they are also highly resilient. Their high disruptive strength, high wear resistance and great stability against external mechanical wear are just some of their advantages. Of course, they easily fulfil the specified IK codes conforming to EN 50102. Their long life ensures an efficient investment in the highest quality.





### **Connections that stay safely together**

Safety is a top priority at ABL SURSUM. This is as true for installation as it is for servicing. Holders prevent unintended withdrawal via snapping-in of the hinged lid into the retaining lug or slot as well as the tried and true bayonet system in protection class IP67. Innovative cable screw connections with integrated strain relief, locking and kink protection, injected undetachable seals and closed, easy-to-clean surfaces are further quality characteristics which define our products.



### **Connections which make excellent contacts**

There is nothing more important in electronic engineering than perfect contacts. The copper zinc alloy pins create the best contact connections with a high electric conductivity. Highly heat resistant contact supports with nickel-plating ensure an increased level of corrosion resistance in aggressive environments such as sea water, water vapour, industrial environments, sulphur compounds, agriculture etc which has proven itself in practice over the years.



### **Connections that are always one step ahead of the rest**

Decades of practical experience and professionalism are what have earned our research and development department recognition throughout the electronics branch. We orient ourselves on the requirements of hard daily routines, extreme environments and the requirements of national and international customers. ABL SURSUM develops and designs products which not only simplify work-flows and save both time and costs, but also increase workplace safety.

CEE plug connections from ABL SURSUM correspond to the relevant national and international standards and are continuously intensively tested by our demanding Quality Management.

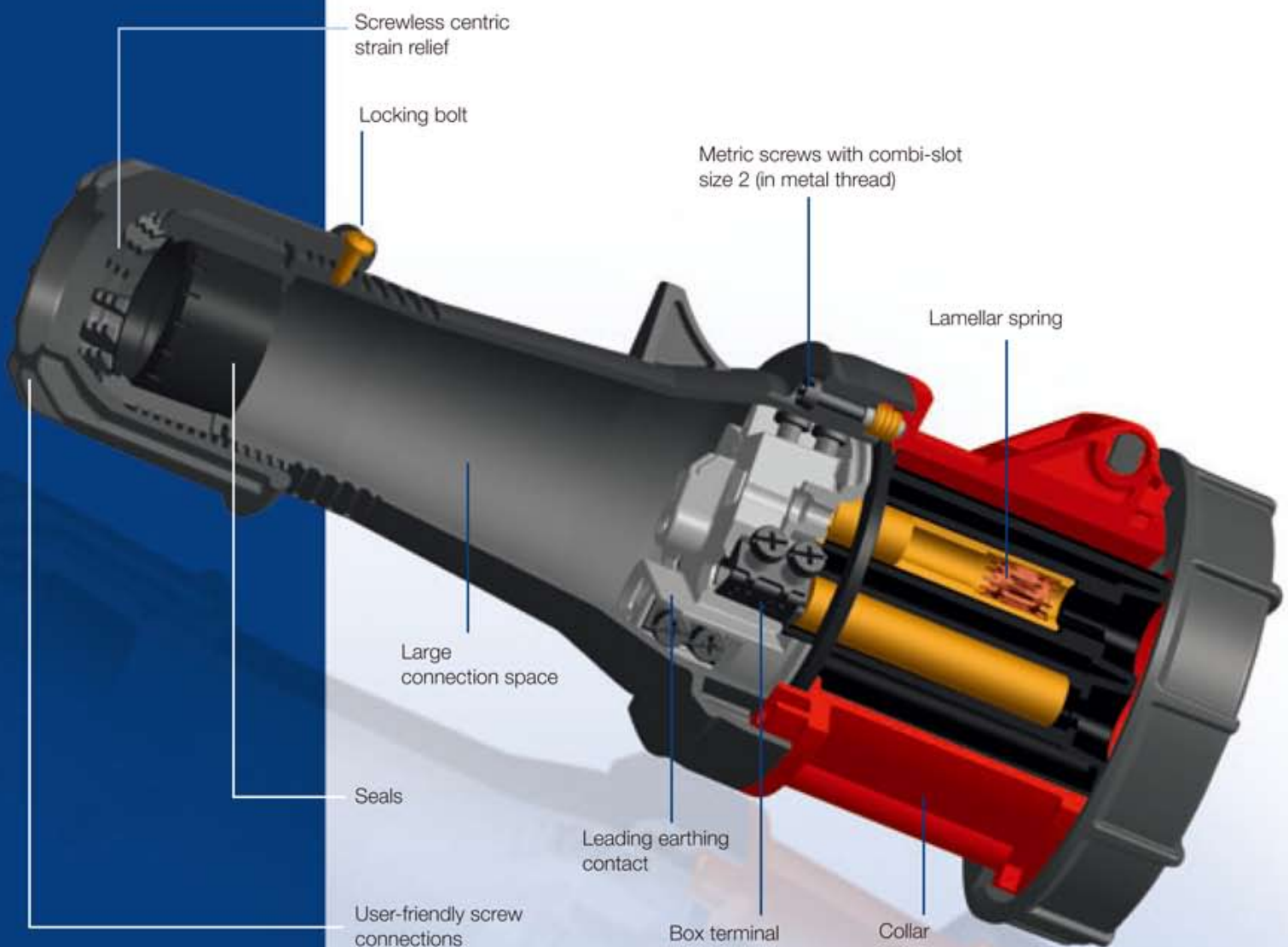


## Highly intelligent connection technology

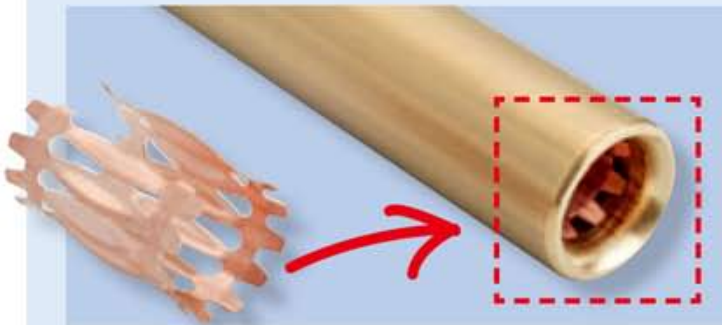
**CEE Plug connections from ABL SURSUM have safety standards that we are proud of – even under the toughest of conditions.**

They impress with innovations and maximum technical efficiency right down to the last detail. That is how they make our products into solutions for the most demanding challenges.

Screwless, centric strain relief, double-secured box terminals, highly-conductive lamellar contacts and self-finding threads are only some of the most important details that not only experienced professionals can appreciate.



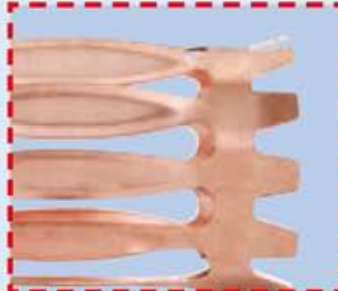
## HighPower technology



### Absolutely safe

#### Lamellar spring

- minimal insertion and extraction force
- reduction of electrical resistance
- self-cleaning
- optimal contacting; at least 10 contact points



#### Box terminal

- large connection space
- optimal gentle protective cable clamping
- flexible cables without ferrules can also be used
- for 63 A version: two combi-slot screws per contact
- for 125 A version: two grub screws per contact

# plug power

## Screwless connection technology

- saves time during mounting
- screwless plug2power terminals
- open contact terminals in delivered state
- quick and easy infeed of the cable
- closing and opening the contact terminal with the press of a finger
- simple connection with colour coded clamps
- maintenance-free and wear-free contacts



Insert cable



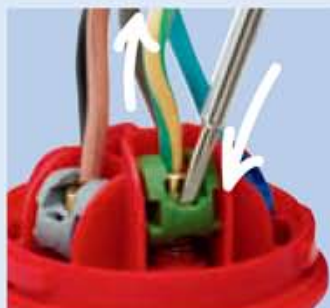
Close terminal

## Recording of all cable cross-sections according to standard

- 16 A: up to 2.5 mm<sup>2</sup> flexible, up to 4 mm<sup>2</sup> single wire
- 32 A: up to 6.0 mm<sup>2</sup> flexible, up to 10 mm<sup>2</sup> single wire

## Resilient construction

- for difficult conditions
- special impact resistance
- high tensile strength of the terminals
- contact terminals are shock-proof and vibration-resistant

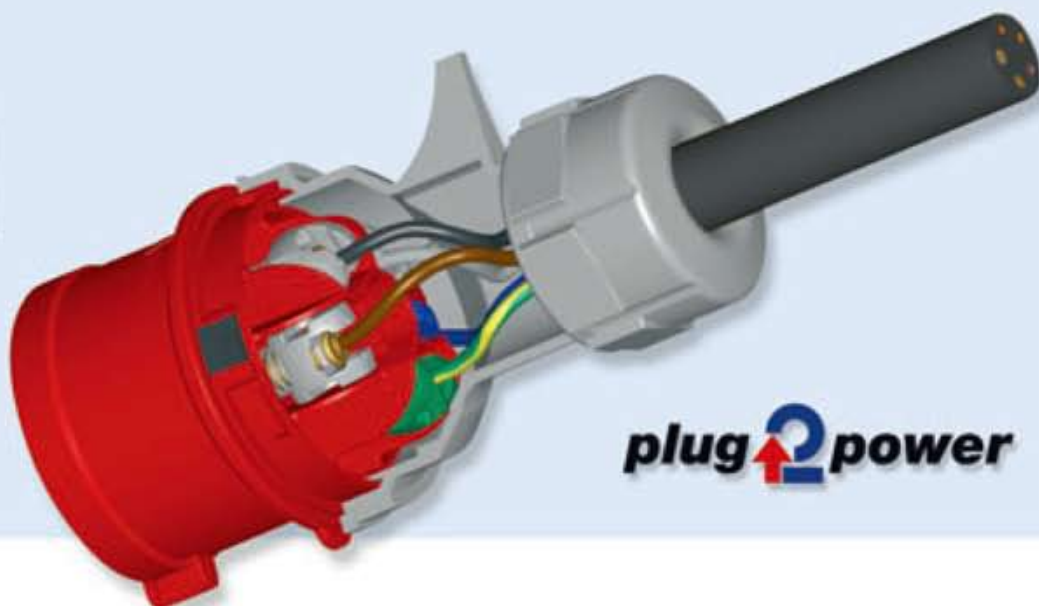


Re-open terminal



## Flexible stripped wires

- with or without ferrules or single wire stripped wires



plug  power





### Contact screws

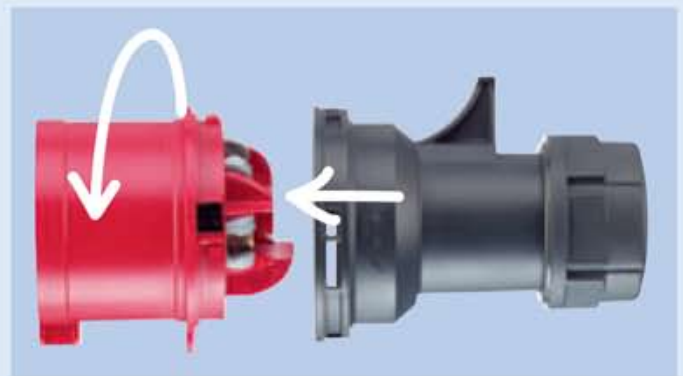
- all combi-slot screws accessible from one direction
- undetachable, opened upon delivery

### Tool-less assembly

- multi-ramp locking system
- simple mounting, turning the connection housing locks it in place = time saving

### Demounting

Press down release button with the screwdriver (1.) and push it under the plug (2.)  
Turn the red connection part in the same direction (3.)



**Assembly is simple and quick with the help of the multi-ramp locking system:**

1. Put the „OPEN ▷◀“ labels of the top and bottom opposite each other and plug the top onto the bottom
2. Turn the top to the right until it locks in place – finished!



## Optimal strain relief

- saves time during mounting
- quick and easy cable feed
- strain relief and sealing of the cable by tightly turning the screw connections
- all standard cable types can be used
- 100% sealing of the cable entry
- optimal kink protection
- undetachable screw connection



## Technology in detail

### Connecting terminals

The tunnel terminals are designed for the following maximum conductor cross-sections:

Nominal current	Conductor cross-section	
	Flexible mm <sup>2</sup>	Stiff (single/multiple wire) mm <sup>2</sup>
A		
16	4	6
32	6	10
63	16	25
125	50	70

### IP Degrees of protection

CEE plug connections with rated currents 16A and 32A correspond to degree of protection IP 44 or IP 67;  
63 A and 125 A of degree of protection IP67 according to EN 60529.

Sockets and connectors are tested with and without plugs or connectors inserted.

Plugs and connectors are tested in an inserted state (to a socket or connector).

1st parameter	Protection against penetration of solids	2nd parameter	Protection against penetration of water with damaging effects
2	∅ 12.5 mm	0	Not protected
3	∅ 2.5 mm	3	Spray water up to 60° to perpendicular
4	∅ 1 mm	4	Splash water from all directions
5	Dust protected	5	Jet water from all directions
6	Dust-proof	6	Strong jet water
		7	Temporary submergence under specified pressure and time conditions
		8	Long-term submergence under specified pressure for a certain amount of time

#### Example IP 44:

1st Parameter = 4 (Protection against foreign bodies larger than 1 mm ∅)  
2nd Parameter = 4 (Protection against splash water from all directions)





## Holder

A holder prevents unintended removal caused by snapping-in of the hinged lid into the retaining lug or slot as well as with the bayonet system (ramp) with a bayonet ring.

In accordance with IEC/EN 60309, the following holders have to be provided:

Rated currents	Degree of protection	Sockets and connectors	Plugs and appliance inlets
16 A and 32 A	IP 44	Hinged lid	Retaining lug or slot
16 A and 32 A	IP 67	Bayonet system	Retaining lug or slot and bayonet ring
63 A and 125 A	IP 67	Bayonet system	bayonet ring

## IK code

The IK code is a coding system complying with EN 50102, which gives the protection level by a housing against damaging external mechanical wear.

All characteristic parameters of the IK code represent an energy stress level corresponding to the values in the following table:

IK code	IK01	IK02	IK03	IK04	IK05	IK06	IK07	IK08	IK09	IK10
Energy stress level [Joule]	0.14	0.2	0.35	0.5	0.7	1	2	5	10	20

## Plastic

Our plug connections are made primarily from PA6 as well as from PC/ABS. These technical plastics have the following special characteristics:

- excellent impact resistance in connection with high degrees of stiffness and strength
- high heat stability
- very good insulating characteristics
- high disruptive strength
- high wear resistance
- high weather resistance
- very good chemical resistance to a large number of different chemicals
- free of cadmium and halogens (fluorine, chlorine, bromine, iodine, astatine)
- in conformance with RoHS Directive 2002/95/EG

## Temperatures

IEC/EN 60309 is valid for CEE plug connections which are used at an ambient temperature not normally outside the range of  $-25\text{ }^{\circ}\text{C}$  to  $+40\text{ }^{\circ}\text{C}$ .

Our CEE plug connections themselves have a temperature resistance from  $-25\text{ }^{\circ}\text{C}$  to  $+80\text{ }^{\circ}\text{C}$ , short term  $1\text{h }+100\text{ }^{\circ}\text{C}$ . The contacts can heat up by  $50\text{ }^{\circ}\text{C}$  under testing conditions.

## Contacts

The contacts are manufactured from a copper zinc alloy. This has very good characteristics for contact connections such as:

- high degree of electric conductivity  $15\text{ m} / (\text{Ohm mm}^2)$ ;
- high tensile strength  $103\text{ kN} / \text{mm}^2$ ;
- high corrosion resistance in industrial atmospheres, . . .
- increased corrosion resistance in nickel-plated version to sea water, water vapours, sulphur compounds, as well as in agriculture, dairies . .
- in conformance with RoHS Directive 2002/95/EG

The connectors and sockets 63 A and 125 A contain a CuBe lamellar spring with optimal contacting and corrosion protection (see page 14/15).

## Pilot contact

The pilot contact for currents of 63 A and 125 A is an auxiliary contact – closes lagging when inserting and opens leading when removing – and serves for electric locking. A lock prevents insertion and removal under loads. CEE connectors and sockets with pilot contacts have longer phase contacts and do not guarantee finger protection; this has to be provided by a lock.

## Tested and approved

The name ABL SURSUM stands for the highest quality. Our products are often subjected to extreme conditions. In order to ensure that these products can stand up to these requirements, we constantly test them in our laboratories. In addition, we take national and international certification very seriously and have this carried out by independent renowned institutions. Only products fulfilling all of these criteria are used worldwide and earn our name.



### CE label



The CE label indicates the product safety of certain products according to EU Law.

By bearing a CE label, the manufacturer confirms that the product is in compliance with the valid European directives. A CE label does not allow one to see whether the product was inspected by independent agencies as to conformity with regulations.

The CE label is not a seal of approval or quality label.

### Approval

Approval from the country certification agencies that have approved ABL SURSUM products.



Germany



Austria



Sweden



USA



Germany



Switzerland



Norway



USA/  
Canada



Belgium



Poland



Singapore



Canada



Netherlands



Czech Republic



Malaysia



Russia



France



Finland



USA



China



---

### **CEE17 Plug connection**

The generally used term "CEE17 plug connection" is derived from the standardisation of the CEE Publication 17 from 1966 which is no longer valid.

For this, the requirements for plug connections for industrial purposes are described in the INTERNATIONAL COMMISSION ON RULES FOR THE APPROVAL OF ELECTRICAL EQUIPMENT (short CEE).

### **Standardisation IEC**

Today, "CEE17 plug connections" for industrial use are internationally standardised by IEC 60309-1 and IEC 60309-2. The IEC (International Electronics Commission), located in Geneva, is a standards organisation working worldwide in the areas of electronics and electrotechnology.

### **Standardisation CENLEC**

The European Committee for Electrotechnical Standardisation (short CENLEC) took the standards requirements from IEC 60309 and implemented in European Standard EN 60309 without any changes.

CENLEC is responsible for European standardisation in the area of electrotechnology.

Member countries of CENLEC are the national electrotechnology committees of Belgium, Denmark, Germany, Estonia, Finland, France, Greece, Ireland, Iceland, Italy, Latvia, Lithuania, Luxemburg, Malta, Netherlands, Norway, Austria, Poland, Portugal, Romania, Sweden, Switzerland, Slovakia, Slovenia, Spain, Czech Republic, Hungary, the United Kingdom and Cyprus.

### **RoHS Directive 2002/95/EG**

The directive on banning hazardous materials regulates the limitations for putting lead, cadmium, mercury, hexavalent chromium, polybrominated biphenyls (PBB) and polybrominated diphenyl ethers (PBDE) in electric and electronic devices on the market.

Our industrial plug connections do not fall under the jurisdiction of the RoHS Directive 2002/95/EG. However, if these were to be installed in devices or their components which fall under the jurisdiction of this directive, they would be in accordance with the restrictions set down in the RoHS directive.

The following devices and components built into devices fall under the jurisdiction of the RoHS:

Large home appliances, small home appliances, IT and telecommunication devices, consumer electronics devices, lighting devices, lamps and lights in households, electric transformers built into lighting, switches, motion detectors and ballasts, electric and electronic tools (with the exception of large, anchored, industrial tools), toys as well as sporting and leisure devices, automated vending machines as well as the connection cables and plugs associated with the above.

### **System for compatibility and distinctiveness**

Through the international standardisation of industrial plug connections, the most important measurements, for example, are so designed that plug connections with the same rated currents, rated operational voltage ranges, same number of poles and frequency from different manufacturers are compatible with one another.

In addition, 12 different standardised clock-hour positions for the protective contact, in relation to the non-interchangeable nose on the protective collar, prevent devices with different rated values being connected to each other.

If the label of an industrial plug connection has the number "9" followed by the letter "h" (hour), this gives the position of the protective contact socket if one looks at the front side of a socket or connector and compares it to the face of a clock. For this, the slot in the protective collar must be turned to 6 o'clock.

**See page 23 for a table with the clock-face positions.**

A convincing product range





# CEE Plugs and sockets

according to IEC 60309, EN 60309, VDE 0623

Only round plug connections in accordance with VDE 0623 are permitted as three-phase plug connections according to VDE 0100-550. Exceptions: domestic installations, sewing halls, laboratories and such (PERILEX is still used in such facilities).

For alternating-current networks on construction sites, round plug connections according to VDE 0623 in type EN 60309-2 are required in addition to the SCHUKO plug connections for difficult conditions. This is also true for agricultural premises.

At camping sites and boat moorings as well as connections for caravans, round plug connections acc. to VDE 0623 in type EN 60309-2 are required according to VDE 0100-721. This is also valid for show-type vehicles and caravans.

Round plug connections in UL versions according to UL 1682/86 are available upon request!

**Clock face position of the protective contact and colour indicator Viewed from the front of the connector sockets to the contact socket**

	4 h	9 h	6 h	11 h	7 h	5 h	12 h	1 h	10 h	2 h	3 h	8 h
Frequency (Hz)	50-60	50-60	50-60	60	50-60	50-60	50-60	-	100-300	over 300 to 500	50-60	
Voltage (V)	57/100 to 75/130	120/208 to 144/250	200/346 to 240/415	250/400 to 265/460	277/480 to 288/500	347/600 to 400/690		over 50	over 50	over 50	220/380 to 250/440 16 + 32 A <sup>1)</sup>	
<b>5-pole</b> 3-pole + N + PE												
Voltage (V)	100-130	200-250	380-415	440-460	480-500	600-690	Voltage according to isolating transformer*		over 50	over 50	380-440 only for 16 + 32 A <sup>1)</sup>	
<b>4-pole</b> 3-pole + PE												
Voltage (V)	100-130	380-415	200-250		480-500	277*	Voltage according to isolating transformer*		*		over 50 to 250 DC	over 250 DC
<b>3-pole</b> 2-pole + PE												
63 A + 125 A plug connections with pilot contact												

**The position of the auxiliary nose to the earth nose for voltages up to 50 V and frequencies up to 500 Hz and colour markings View from the front side of the connector sockets to the contact sockets**

	-	12 h	4 h	2 h	3 h	11 h	10 h					
Frequency (Hz)	50-60	50-60	100-200	300	400	over 400 to 500	DC					
Voltage (V)	20-25	40-50	40-50	up to 50	up to 50	up to 50	up to 50					
<b>2-pole</b>												
<b>3-pole</b>												

<sup>1)</sup> These versions are not part of the standards specified

<sup>1)</sup> only for reefer container

Innovation, practicality and highest quality are external characteristics and inner values of our products. They convince the professional and make us to one of the leading suppliers of electrical connection technology.





---

With the most modern technologies, the inventiveness of our very well trained staff and decades of experience, we have achieved recognised renown throughout the industry sector. These high standards are reflected in the quality of our products. However, that is not enough. In addition to sophisticated technology and comprehensive unrivalled safety aspects, we also have a huge variety in our product range. We offer you a powerful and very extensive range that will meet any challenges and leave nothing to be desired.

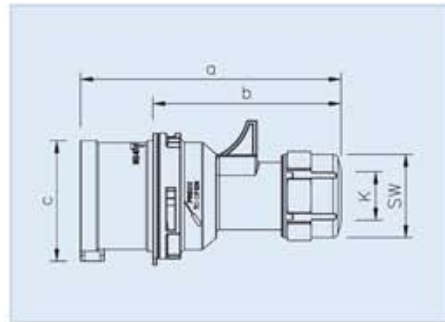
**Note**

Exact explanations as to the position of the protective contact can be found on the left side of the flap!



# CEE Plugs

according to IEC 60309, EN 60309, VDE 0623



Poles	3	4	5	3	4	5
Ampere	16			32		
a	118	124	131	146	146	152
b	82	88	95	100	100	106
c	47	53	61	63	63	70
K	6-15	6-15	8-16	10-20	10-20	12-22
SW	38	38	42	50	50	50
Weight [g/each]	104	127	150	181	200	230

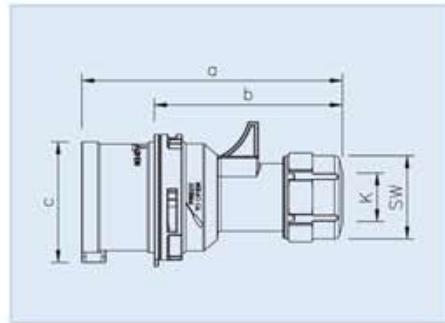
**Plug**

splash-proof IP44

- screw terminals
- quick release locking system (turn2fix)

All plugs are also available with **nickel-plated** contacts. Add a "V" instead of the second "S" to the article number e.g. S31V10.

Voltage	110 V~	230 V~	400 V~	440 V~	500 V~	>50-500 V~	>50-500 V~		
Frequency	50/60 Hz	50/60 Hz	50/60 Hz	50/60 Hz	50/60 Hz	100-300 Hz	301-500 Hz		
Designation	4h	3p = 6h 4p/5p = 9h	3p = 9h 4p/5p = 6h	11h	7h	10h	2h		
Ampere	Poles	Article no.	Article no.	Article no.	Article no.	Article no.	Article no.	Packing unit	
16	3	S31S10	<b>S31S20</b>	S31S30		S31S50	S31S80	S31S90	10
16	4	S41S10	S41S20	<b>S41S30</b>	S41S40	S41S50	S41S80	S41S90	10
16	5	S51S10	S51S20	<b>S51S30</b>		S51S50	S51S80	S51S90	10
32	3	S32S10	<b>S32S20</b>	S32S30		S32S50	S32S80	S32S90	10
32	4	S42S10	S42S20	<b>S42S30</b>	S42S40	S42S50	S42S80	S42S90	10
32	5	S52S10	S52S20	<b>S52S30</b>		S52S50	S52S80	S52S90	10



Poles	3	4	5	3	4	5
Ampere	16			32		
a	118	124	131	146	146	152
b	82	88	95	100	100	106
c	47	53	61	63	63	70
K	6-15	6-15	8-16	10-20	10-20	12-22
SW	38	38	42	50	50	50
Weight [g/each]	110	135	158	187	208	242

**Plug**

splash-proof IP44

- screwless connection technology (plug2power)
- quick release locking system (turn2fix)

All plugs are also available with **nickel-plated** contacts. Add a "V" instead of the second "S" to the article number e.g. S31VL10.

Voltage	110 V~	230 V~	400 V~	500 V~	>50-500 V~	>50-500 V~		
Frequency	50/60 Hz	50/60 Hz	50/60 Hz	50/60 Hz	100-300 Hz	301-500 Hz		
Designation	4h	3p = 6h 4p/5p = 9h	3p = 9h 4p/5p = 6h	7h	10h	2h		
Ampere	Poles	Article no.	Article no.	Article no.	Article no.	Article no.	Packing unit	
16	3	S31SL10	S31SL20	S31SL30	S31SL50	S31SL80	S31SL90	10
16	4	S41SL10	S41SL20	S41SL30	S41SL50	S41SL80	S41SL90	10
16	5	S51SL10	S51SL20	<b>S51SL30</b>	S51SL50	S51SL80	S51SL90	10
32	3	S32SL10	S32SL20	S32SL30	S32SL50	S32SL80	S32SL90	10
32	4	S42SL10	S42SL20	S42SL30	S42SL50	S42SL80	S42SL90	10
32	5	S52SL10	S52SL20	<b>S52SL30</b>	S52SL50	S52SL80	S52SL90	10





# CEE Plugs

according to IEC 60309, EN 60309, VDE 0623



	<b>Poles</b>	<b>3</b>	<b>4</b>	<b>5</b>	<b>3</b>	<b>4</b>	<b>5</b>
	<b>Ampere</b>	<b>16</b>			<b>32</b>		
<b>a</b>	118	124	131	146	146	152	
<b>b</b>	71	79	87	93	93	100	
<b>K</b>	6-15	6-15	8-16	10-20	10-20	12-22	
<b>SW</b>	38	38	42	50	50	50	
<b>Weight [g/each]</b>	122	147	172	210	230	263	

**Plug**

watertight IP67

- screw terminals
- quick release locking system (turn2fix)

All plugs are also available with **nickel-plated** contacts. Add a "V" instead of the second "S" to the article number e.g. S31V15.

		110 V~	230 V~	400 V~	440 V~	500 V~	>50-500 V~	>50-500 V~	
		50/60 Hz	50/60 Hz	50/60 Hz	50/60 Hz	50/60 Hz	100-300 Hz	301-500 Hz	
		4h	3p = 6h 4p/5p = 9h	3p = 9h 4p/5p = 6h	11h	7h	10h	2h	
Ampere	Poles	Article no.	Article no.	Article no.	Article no.	Article no.	Article no.	Article no.	Packing unit
16	3	S31S15	<b>S31S25</b>	S31S35		S31S55	S31S85	S31S95	10
16	4	S41S15	S41S25	S41S35	S41S45	S41S55	S41S85	S41S95	10
16	5	S51S15	S51S25	<b>S51S35</b>		S51S55	S51S85	S51S95	10
32	3	S32S15	S32S25	S32S35		S32S55	S32S85	S32S95	10
32	4	S42S15	S42S25	S42S35	S42S45	S42S55	S42S85	S42S95	10
32	5	S52S15	S52S25	<b>S52S35</b>		S52S55	S52S85	S52S95	10



	<b>Poles</b>	<b>3</b>	<b>4</b>	<b>5</b>	<b>3</b>	<b>4</b>	<b>5</b>
	<b>Ampere</b>	<b>16</b>			<b>32</b>		
<b>a</b>	118	124	131	146	146	152	
<b>b</b>	71	79	87	93	93	100	
<b>K</b>	6-15	6-15	8-16	10-20	10-20	12-22	
<b>SW</b>	38	38	42	50	50	50	
<b>Weight [g/each]</b>	128	155	180	216	238	275	

**Plug**

watertight IP67

- screwless connection technology (plug2power)
- quick release locking system (turn2fix)

All plugs are also available with **nickel-plated** contacts. Add a "V" instead of the second "S" to the article number e.g. S31VL15.

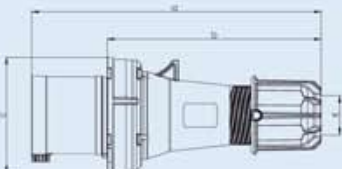
		110 V~	230 V~	400 V~	500 V~	>50-500 V~	>50-500 V~	
		50/60 Hz	50/60 Hz	50/60 Hz	50/60 Hz	100-300 Hz	301-500 Hz	
		4h	3p = 6h 4p/5p = 9h	3p = 9h 4p/5p = 6h	7h	10h	2h	
Ampere	Poles	Article no.	Article no.	Article no.	Article no.	Article no.	Article no.	Packing unit
16	3	S31SL15	S31SL25	S31SL35	S31SL55	S31SL85	S31SL95	10
16	4	S41SL15	S41SL25	S41SL35	S41SL55	S41SL85	S41SL95	10
16	5	S51SL15	S51SL25	S51SL35	S51SL55	S51SL85	S51SL95	10
32	3	S32SL15	S32SL25	S32SL35	S32SL55	S32SL85	S32SL95	10
32	4	S42SL15	S42SL25	S42SL35	S42SL55	S42SL85	S42SL95	10
32	5	S52SL15	S52SL25	S52SL35	S52SL55	S52SL85	S52SL95	10



## CEE Plugs

according to IEC 60309, EN 60309, VDE 0623



	Poles	3	4	5
	Ampere	63		
	a	257	257	257
	b	190	190	190
	c	102	102	102
	K	14,5-36	14,5-36	14,5-36
	Weight [g/each]	500	549	603

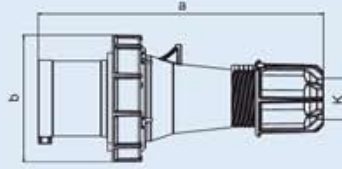
### Plug

splash-proof IP44

- HighPower version
- nickel-plated contacts with pilot contact
- screw terminals

Voltage		110 V~	230 V~	400 V~	440 V~	500 V~	>50-500 V~	>50-500 V~	Packing unit
Frequency		50/60 Hz	50/60 Hz	50/60 Hz	50/60 Hz	50/60 Hz	100-300 Hz	301-500 Hz	
Designation		4h	3p = 6h 4p/5p = 9h	3p = 9h 4p/5p = 6h	11h	7h	10h	2h	
Ampere	Poles	Article no.	Article no.	Article no.	Article no.	Article no.	Article no.	Article no.	
63	3	S33S10	S33S20	S33S30		S33S50	S33S80	S33S90	2
63	4	S43S10	S43S20	S43S30	S43S40	S43S50	S43S80	S43S90	2
63	5	S53S10	S53S20	<b>S53S30</b>		S53S50	S53S80	S53S90	2



	Poles	3	4	5
	Ampere	63		
	a	257	257	257
	b	114	114	114
	K	14,5-36	14,5-36	14,5-36
	Weight [g/each]	547	596	650

### Plug

watertight IP67

- HighPower version
- nickel-plated contacts with pilot contact
- screw terminals

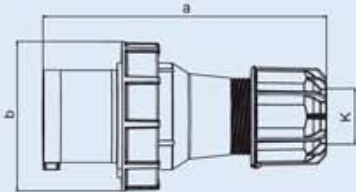
Voltage		110 V~	230 V~	400 V~	440 V~	500 V~	>50-500 V~	>50-500 V~	Packing unit
Frequency		50/60 Hz	50/60 Hz	50/60 Hz	50/60 Hz	50/60 Hz	100-300 Hz	301-500 Hz	
Designation		4h	3p = 6h 4p/5p = 9h	3p = 9h 4p/5p = 6h	11h	7h	10h	2h	
Ampere	Poles	Article no.	Article no.	Article no.	Article no.	Article no.	Article no.	Article no.	
63	3	S33S15	S33S25	S33S35		S33S55	S33S85	S33S95	2
63	4	S43S15	S43S25	<b>S43S35</b>	S43S45	S43S55	S43S85	S43S95	2
63	5	S53S15	S53S25	<b>S53S35</b>		S53S55	S53S85	S53S95	2



## CEE Plugs

according to IEC 60309, EN 60309, VDE 0623



	<b>Poles</b>	<b>3</b>	<b>4</b>	<b>5</b>
	<b>Ampere</b>	<b>125</b>		
	<b>a</b>	270	270	270
	<b>b</b>	131	131	131
	<b>K</b>	22,5-50	22,5-50	22,5-50
	<b>Weight [g/each]</b>	1318	1433	1545

### Plug

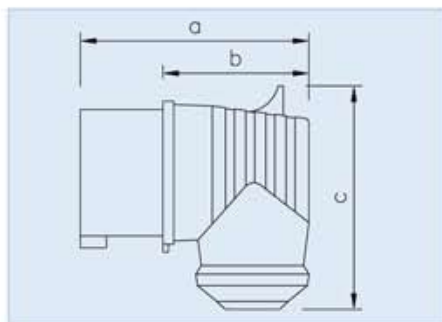
watertight IP67

- HighPower version
- nickel-plated contacts with pilot contact
- screw terminals

		110 V~	230 V~	400 V~	440 V~	500 V~	>50-500 V~	>50-500 V~	
		50/60 Hz	50/60 Hz	50/60 Hz	50/60 Hz	50/60 Hz	100-300 Hz	301-500 Hz	
		4h	3p = 6h 4p/5p = 9h	3p = 9h 4p/5p = 6h	11h	7h	10h	2h	
Ampere	Poles	Article no.	Article no.	Article no.	Article no.	Article no.	Article no.	Article no.	Packing unit
125	3	S34S15	S34S25	S34S35		S34S55	S34S85	S34S95	2
125	4	S44S15	S44S25	S44S35	S44S45	S44S55	S44S85	S44S95	2
125	5	S54S15	S54S25	<b>S54S35</b>		S54S55	S54S85	S54S95	2

## CEE Angle plugs

according to IEC 60309, EN 60309, VDE 0623



<b>Poles</b>	<b>5</b>
<b>Ampere</b>	<b>16</b>
<b>a</b>	101
<b>b</b>	65
<b>c</b>	98
<b>Weight [g/each]</b>	180

### Angle plug

splash-proof IP44

- short entry sleeve at the side
- screw terminals

The angle plug is also available with **nickel-plated** contacts.

Add a "V" instead of the second "S" to the article number e.g. S51V32.

<b>Voltage</b>	<b>400 V~</b>		
<b>Frequency</b>	<b>50/60 Hz</b>		
<b>Designation</b>	<b>3p = 9h 4p/5p = 6h</b>		
<b>Ampere</b>	<b>Poles</b>	<b>Article no.</b>	<b>Packing unit</b>
<b>16</b>	<b>5</b>	S51S32	<b>10</b>



<b>Poles</b>	<b>3</b>	<b>4</b>
<b>Ampere</b>	<b>16</b>	
<b>a</b>	96	98
<b>b</b>	59	62
<b>c</b>	47	53
<b>d</b>	82	87
<b>K</b>	6-15	6-15
<b>SW</b>	38	38
<b>Weight [g/each]</b>	110	130

### Angle plug

splash-proof IP44

- quick release locking system (turn2fix)
- screwless connection technology (plug2power)

All angle plugs are also available with **nickel-plated** contacts.

Add a "V" instead of the second "S" to the article number e.g. S31VL12.

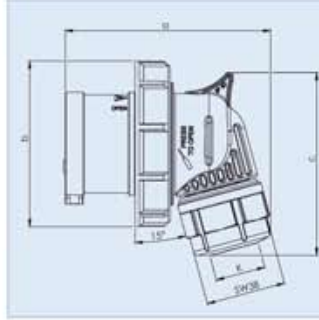
<b>Voltage</b>	<b>110 V~</b>	<b>230 V~</b>	<b>400 V~</b>	<b>500 V~</b>	<b>&gt;50-500 V~</b>	<b>&gt;50-500 V~</b>		
<b>Frequency</b>	<b>50/60 Hz</b>	<b>50/60 Hz</b>	<b>50/60 Hz</b>	<b>50/60 Hz</b>	<b>100-300 Hz</b>	<b>301-500 Hz</b>		
<b>Designation</b>	<b>4h</b>	<b>3p = 6h 4p/5p = 9h</b>	<b>3p = 9h 4p/5p = 6h</b>	<b>7h</b>	<b>10h</b>	<b>2h</b>		
<b>Ampere</b>	<b>Poles</b>	<b>Article no.</b>	<b>Article no.</b>	<b>Article no.</b>	<b>Article no.</b>	<b>Article no.</b>	<b>Packing unit</b>	
<b>16</b>	<b>3</b>	S31SL12	S31SL22	S31SL32	S31SL52	S31SL82	S31SL92	<b>10</b>
<b>16</b>	<b>4</b>	S41SL12	S41SL22	S41SL32	S41SL52	S41SL82	S41SL92	<b>10</b>





## CEE Angle plugs

according to IEC 60309, EN 60309, VDE 0623



Poles	3	4
Ampere	16	
a	96	98
b	71	79
c	82	87
K	6-15	6-15
SW	38	38
Weight [g/each]	126	152

### Angle plug

watertight IP67

- quick release locking system (turn2fix)
- screwless connection technology (plug2power)

All angle plugs are also available with **nickel-plated** contacts. Add a "V" instead of the second "S" to the article number e.g. S31VL17.

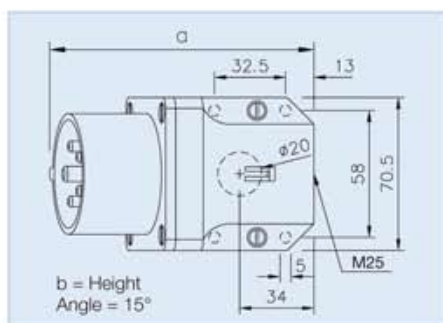
		110 V~	230 V~	400 V~	500 V~	>50-500 V~ 100-300 Hz	>50-500 V~ 301-500 Hz	
		50/60 Hz	50/60 Hz	50/60 Hz	50/60 Hz	100-300 Hz	301-500 Hz	
		4h	3p = 6h 4p/5p = 9h	3p = 9h 4p/5p = 6h	7h	10h	2h	
Ampere	Poles	Article no.	Article no.	Article no.	Article no.	Article no.	Article no.	Packing unit
16	3	S31SL17	S31SL27	S31SL37	S31SL57	S31SL87	S31SL97	10
16	4	S41SL17	S41SL27	S41SL37	S41SL57	S41SL87	S41SL97	10

**plug2power**

**turn2fix**

## CEE Wall-mounted inlets

according to IEC 60309, EN 60309, VDE 0623



<b>Poles</b>	3	4	5	3	4	5
<b>Ampere</b>	16			32		
<b>a</b>	121	121	123	131	131	132
<b>b</b>	76	76	79	83	83	86
<b>Weight [g/each]</b>	176	195	213	231	251	274

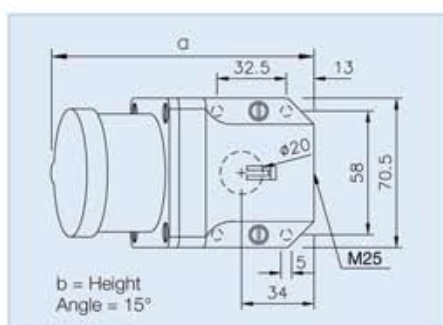
### Wall-mounted inlet

splash-proof IP44

- cable entry from above or behind
- including self-sealing grommet

All wall-mounted inlets are also available with **nickel-plated** contacts. Add a "V" instead of the "S" to the article number e.g. G31V10.

		110 V~	230 V~	400 V~	500 V~	>50-500 V~	>50-500 V~	
		50/60 Hz	50/60 Hz	50/60 Hz	50/60 Hz	100-300 Hz	301-500 Hz	
		4h	3p = 6h 4p/5p = 9h	3p = 9h 4p/5p = 6h	7h	10h	2h	
Ampere	Poles	Article no.	Article no.	Article no.	Article no.	Article no.	Article no.	Packing unit
16	3	G31S10	<b>G31S20</b>	G31S30	G31S50	G31S80	G31S90	10
16	4	G41S10	G41S20	G41S30	G41S50	G41S80	G41S90	10
16	5	G51S10	G51S20	<b>G51S30</b>	G51S50	G51S80	G51S90	10
32	3	G32S10	G32S20	G32S30	G32S50	G32S80	G32S90	10
32	4	G42S10	G42S20	G42S30	G42S50	G42S80	G42S90	10
32	5	G52S10	G52S20	<b>G52S30</b>	G52S50	G52S80	G52S90	10



<b>Poles</b>	3	4	5	3	4	5
<b>Ampere</b>	16			32		
<b>a</b>	128	128	128	137	137	140
<b>b</b>	92	94	97	100	100	103
<b>Weight [g/each]</b>	240	252	271	290	310	336

### Wall-mounted inlet

splash-proof IP44

- with self-closing hinged lid (with seal)
- cable entry from above or behind
- including self-sealing grommet

All wall-mounted inlets are also available with **nickel-plated** contacts. Add a "V" instead of the "S" to the article number e.g. G31V11.

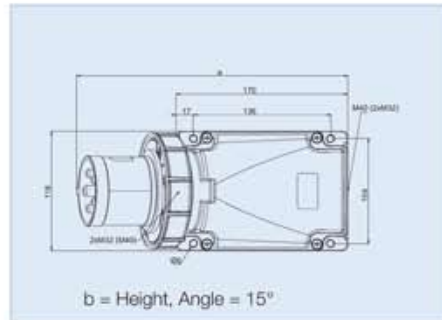
		110 V~	230 V~	400 V~	500 V~	>50-500 V~	>50-500 V~	
		50/60 Hz	50/60 Hz	50/60 Hz	50/60 Hz	100-300 Hz	301-500 Hz	
		4h	3p = 6h 4p/5p = 9h	3p = 9h 4p/5p = 6h	7h	10h	2h	
Ampere	Poles	Article no.	Article no.	Article no.	Article no.	Article no.	Article no.	Packing unit
16	3	G31S11	G31S21	G31S31	G31S51	G31S81	G31S91	10
16	4	G41S11	G41S21	G41S31	G41S51	G41S81	G41S91	10
16	5	G51S11	G51S21	G51S31	G51S51	G51S81	G51S91	10
32	3	G32S11	G32S21	G32S31	G32S51	G32S81	G32S91	10
32	4	G42S11	G42S21	G42S31	G42S51	G42S81	G42S91	10
32	5	G52S11	G52S21	G52S31	G52S51	G52S81	G52S91	10





## CEE Wall-mounted inlets

according to IEC 60309, EN 60309, VDE 0623



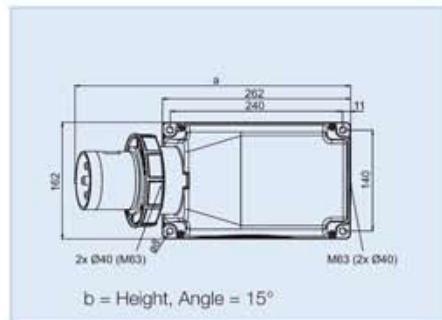
Poles	3	4	5
Ampere	63		
a	271	271	271
b	175	175	175
Weight [g/each]	812	864	914

### Wall-mounted inlet watertight IP67

- HighPower version
- nickel-plated contacts with pilot contact
- screw terminals
- cable entry above, below or behind
- housing can be rotated 180°
- including blank screw connection

Watertight cap see page 43

		110 V~	230 V~	400 V~	500 V~	>50-500 V~	>50-500 V~	
		50/60 Hz	50/60 Hz	50/60 Hz	50/60 Hz	100-300 Hz	301-500 Hz	
		4h	3p = 6h 4p/5p = 9h	3p = 9h 4p/5p = 6h	7h	10h	2h	
Ampere	Poles	Article no.	Article no.	Article no.	Article no.	Article no.	Article no.	Packing unit
63	3	G33S15	G33S25	G33S35	G33S55	G33S85	G33S95	2
63	4	G43S15	G43S25	G43S35	G43S55	G43S85	G43S95	2
63	5	G53S15	G53S25	<b>G53S35</b>	G53S55	G53S85	G53S95	2



Poles	3	4	5
Ampere	125		
a	387	387	387
b	209	209	209
Weight [g/each]	1760	1800	1840

### Wall-mounted inlet watertight IP67

- HighPower version
- nickel-plated contacts with pilot contact
- screw terminals
- cable entry above, below or behind
- housing can be rotated 180°
- including blank screw connection

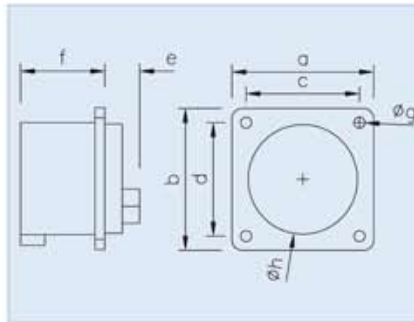
Watertight cap see page 43

		110 V~	230 V~	400 V~	500 V~	>50-500 V~	>50-500 V~	
		50/60 Hz	50/60 Hz	50/60 Hz	50/60 Hz	100-300 Hz	301-500 Hz	
		4h	3p = 6h 4p/5p = 9h	3p = 9h 4p/5p = 6h	7h	10h	2h	
Ampere	Poles	Article no.	Article no.	Article no.	Article no.	Article no.	Article no.	Packing unit
125	3	G34S15	G34S25	G34S35	G34S55	G34S85	G34S95	1
125	4	G44S15	G44S25	G44S35	G44S55	G44S85	G44S95	1
125	5	G54S15	G54S25	G54S35	G54S55	G54S85	G54S95	1



## CEE Appliance inlets

according to IEC 60309, EN 60309, VDE 0623



<b>Poles</b>	<b>5</b>	<b>5</b>
<b>Ampere</b>	<b>16</b>	<b>32</b>
<b>a and b</b>	75	75
<b>c and d</b>	60	60
<b>e</b>	26	30
<b>f</b>	42	50
<b>g</b>	5	5
<b>h</b>	54	55
<b>Weight [g/each]</b>	120	181

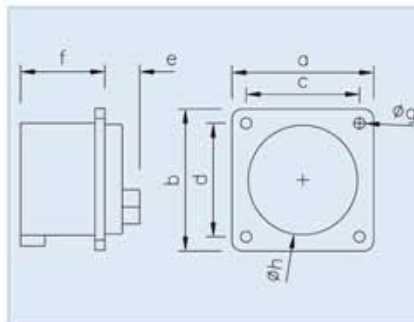
**Appliance inlet, straight**  
splash-proof IP44

- screw terminals

Notice acc. to EN 60309:  
for correct use, a retaining lug or retaining slot is necessary.

All appliance inlets are also available with **nickel-plated** contacts. Add a "V" instead of the "S" to the article number e.g. A51V14.

		110 V~	230 V~	400 V~	500 V~	>50-500 V~	>50-500 V~	
		50/60 Hz	50/60 Hz	50/60 Hz	50/60 Hz	100-300 Hz	301-500 Hz	
		4h	3p = 6h 4p/5p = 9h	3p = 9h 4p/5p = 6h	7h	10h	2h	
Ampere	Poles	Article no.	Article no.	Article no.	Article no.	Article no.	Article no.	Packing unit
16	5	A51S14	A51S24	<b>A51S34</b>	A51S54	A51S84	A51S94	10
32	5	A52S14	A52S24	<b>A52S34</b>	A52S54	A52S84	A52S94	10



<b>Poles</b>	<b>3</b>	<b>4</b>	<b>5</b>	<b>3</b>	<b>4</b>	<b>5</b>
<b>Ampere</b>	<b>16</b>			<b>32</b>		
<b>a and b</b>	70	70	70	75	70	70
<b>c and d</b>	56	56	56	56	56	56
<b>e</b>	25	25	26	30	30	30
<b>f</b>	41	41	42	50	50	50
<b>g</b>	5	5	5	5	5	5
<b>h</b>	43	43	55	55	55	55
<b>Weight [g/each]</b>	87	100	112	140	160	178

**Appliance inlet, straight**  
splash-proof IP44

- screw terminals

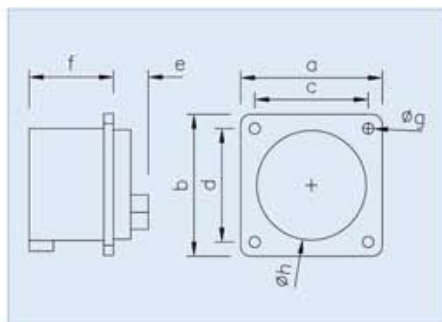
Notice acc. to EN 60309:  
for correct use, a retaining lug or retaining slot is necessary.

All appliance inlets are also available with **nickel-plated** contacts. Add a "V" instead of the "S" to the article number e.g. A31V12.

		110 V~	230 V~	400 V~	500 V~	>50-500 V~	>50-500 V~	
		50/60 Hz	50/60 Hz	50/60 Hz	50/60 Hz	100-300 Hz	301-500 Hz	
		4h	3p = 6h 4p/5p = 9h	3p = 9h 4p/5p = 6h	7h	10h	2h	
Ampere	Poles	Article no.	Article no.	Article no.	Article no.	Article no.	Article no.	Packing unit
16	3	A31S12	A31S22	A31S32	A31S52	A31S82	A31S92	10
16	4	A41S12	A41S22	A41S32	A41S52	A41S82	A41S92	10
16	5	A51S12	A51S22	A51S32	A51S52	A51S82	A51S92	10
32	3	A32S12	A32S22	A32S32	A32S52	A32S82	A32S92	10
32	4	A42S12	A42S22	A42S32	A42S52	A42S82	A42S92	10
32	5	A52S12	A52S22	A52S32	A52S52	A52S82	A52S92	10

## CEE Appliance inlets

according to IEC 60309, EN 60309, VDE 0623



Poles	3	4	5
<b>Ampere</b>	<b>16</b>		
<b>a and b</b>	60	60	60
<b>c and d</b>	50	50	50
<b>e</b>	25	25	26
<b>f</b>	41	41	42
<b>g</b>	4,5	4,5	4,5
<b>h</b>	43	43	54
<b>Weight [g/each]</b>	82	95	112

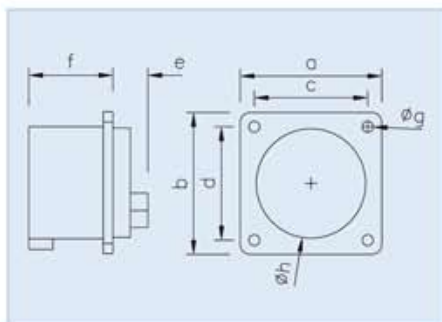
**Appliance inlet, straight**  
splash-proof IP44

- screw terminals

Notice acc. to EN 60309:  
for correct use, a retaining lug or retaining slot is necessary.

All appliance inlets are also available with **nickel-plated** contacts. Add a "V" instead of the "S" to the article number e.g. A31V13.

		110 V~	230 V~	400 V~	500 V~	>50-500 V~	>50-500 V~	
		50/60 Hz	50/60 Hz	50/60 Hz	50/60 Hz	100-300 Hz	301-500 Hz	
		4h	3p = 6h 4p/5p = 9h	3p = 9h 4p/5p = 6h	7h	10h	2h	
Ampere	Poles	Article no.	Article no.	Article no.	Article no.	Article no.	Article no.	Packing unit
16	3	A31S13	<b>A31S23</b>	A31S33	A31S53	A31S83	A31S93	10
16	4	A41S13	A41S23	A41S33	A41S53	A41S83	A41S93	10
16	5	A51S13	A51S23	A51S33	A51S53	A51S83	A51S93	10



Poles	3	4
<b>Ampere</b>	<b>16</b>	
<b>a and b</b>	56	56
<b>c and d</b>	48	48
<b>e</b>	25	25
<b>f</b>	41	41
<b>g</b>	4,5	4,5
<b>h</b>	43	43
<b>Weight [g/each]</b>	75	91

**Appliance inlet, straight**  
splash-proof IP44

- screw terminals

Notice acc. to EN 60309:  
for correct use, a retaining lug or retaining slot is necessary.

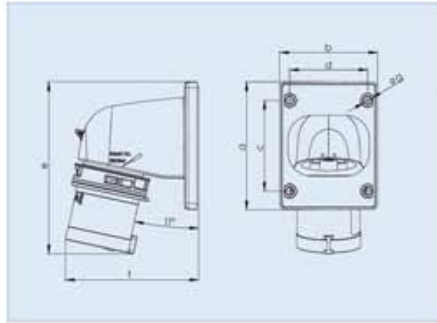
All appliance inlets are also available with **nickel-plated** contacts. Add a "V" instead of the "S" to the article number e.g. A31V14.

		110 V~	230 V~	400 V~	500 V~	>50-500 V~	>50-500 V~	
		50/60 Hz	50/60 Hz	50/60 Hz	50/60 Hz	100-300 Hz	301-500 Hz	
		4h	3p = 6h 4p/5p = 9h	3p = 9h 4p/5p = 6h	7h	10h	2h	
Ampere	Poles	Article no.	Article no.	Article no.	Article no.	Article no.	Article no.	Packing unit
16	3	A31S14	A31S24	A31S34	A31S54	A31S84	A31S94	10
16	4	A41S14	A41S24	A41S34	A41S54	A41S84	A41S94	10



## CEE Appliance inlets

according to IEC 60309, EN 60309, VDE 0623



Poles	3	4	5	3	4	5
<b>Ampere</b>	16			32		
<b>a</b>	86	86	100	100	100	100
<b>b</b>	66	66	90	90	90	90
<b>c</b>	61	61	85	85	85	85
<b>d</b>	53	53	77	77	77	77
<b>e</b>	116	117	153	163	163	164
<b>f</b>	90	93	98	100	100	103
<b>g</b>	5	5	5	5	5	5
<b>Weight [g/each]</b>	129	143	187	200	220	244

### Angle appliance inlet

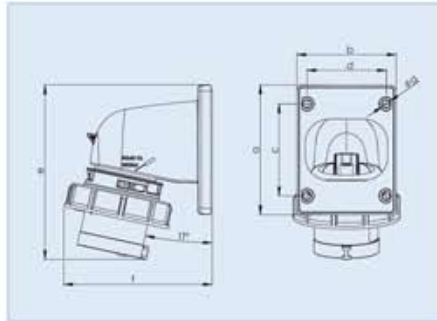
splash-proof IP44

- screw terminals
- quick release locking system (turn2fix)

All angle appliance inlets are also available with **nickel-plated** contacts.  
Add a "V" instead of the "S" to the article number e.g. A31V11.



Voltage		110 V~	230 V~	400 V~	500 V~	>50-500 V~	>50-500 V~	
Frequency		50/60 Hz	50/60 Hz	50/60 Hz	50/60 Hz	100-300 Hz	301-500 Hz	
Designation		4h	3p = 6h 4p/5p = 9h	3p = 9h 4p/5p = 6h	7h	10h	2h	
Ampere	Poles	Article no.	Article no.	Article no.	Article no.	Article no.	Article no.	Packing unit
16	3	A31S11	A31S21	A31S31	A31S51	A31S81	A31S91	10
16	4	A41S11	A41S21	A41S31	A41S51	A41S81	A41S91	10
16	5	A51S11	A51S21	A51S31	A51S51	A51S81	A51S91	10
32	3	A32S11	A32S21	A32S31	A32S51	A32S81	A32S91	10
32	4	A42S11	A42S21	A42S31	A42S51	A42S81	A42S91	10
32	5	A52S11	A52S21	A52S31	A52S51	A52S81	A52S91	10



Poles	3	4	5	3	4	5
<b>Ampere</b>	16			32		
<b>a</b>	86	86	100	100	100	100
<b>b</b>	66	66	90	90	90	90
<b>c</b>	61	61	85	85	85	85
<b>d</b>	53	53	77	77	77	77
<b>e</b>	116	117	153	163	163	164
<b>f</b>	99	103	107	110	110	114
<b>g</b>	5	5	5	5	5	5
<b>Weight [g/each]</b>	146	165	212	231	251	275

### Angle appliance inlet

watertight IP67

- screw terminals
- quick release locking system (turn2fix)

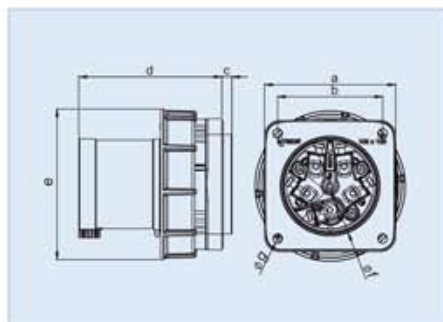
All angle appliance inlets are also available with **nickel-plated** contacts.  
Add a "V" instead of the "S" to the article number e.g. A31V16.



Voltage		110 V~	230 V~	400 V~	500 V~	>50-500 V~	>50-500 V~	
Frequency		50/60 Hz	50/60 Hz	50/60 Hz	50/60 Hz	100-300 Hz	301-500 Hz	
Designation		4h	3p = 6h 4p/5p = 9h	3p = 9h 4p/5p = 6h	7h	10h	2h	
Ampere	Poles	Article no.	Article no.	Article no.	Article no.	Article no.	Article no.	Packing unit
16	3	A31S16	A31S26	A31S36	A31S56	A31S86	A31S96	10
16	4	A41S16	A41S26	A41S36	A41S56	A41S86	A41S96	10
16	5	A51S16	A51S26	A51S36	A51S56	A51S86	A51S96	10
32	3	A32S16	A32S26	A32S36	A32S56	A32S86	A32S96	10
32	4	A42S16	A42S26	A42S36	A42S56	A42S86	A42S96	10
32	5	A52S16	A52S26	A52S36	A52S56	A52S86	A52S96	10

## CEE Appliance inlets

according to IEC 60309, EN 60309, VDE 0623



Poles	3	4	5	3	4	5
<b>Ampere</b>	<b>63</b>			<b>125</b>		
<b>a</b>	100	100	100	120	120	120
<b>b</b>	80	80	80	100	100	100
<b>c</b>	8	8	8	13	13	13
<b>d</b>	109	109	109	118	118	118
<b>e</b>	115	115	115	131	131	131
<b>f</b>	77	77	77	95	95	95
<b>g</b>	7	7	7	7	7	7
<b>Weight [g/each]</b>	479	531	581	786	896	1003

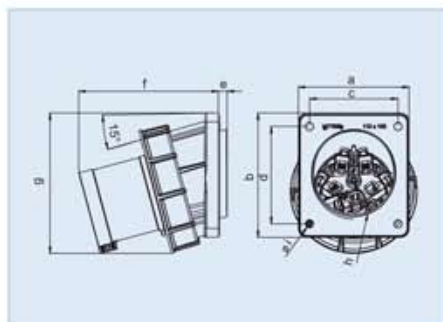
### Appliance inlet, straight watertight IP67

- HighPower version
- nickel-plated contacts with pilot contact
- screw terminals

Watertight cap see page 43

IP44 upon request

		110 V~	230 V~	400 V~	500 V~	>50-500 V~	>50-500 V~	
		50/60 Hz	50/60 Hz	50/60 Hz	50/60 Hz	100-300 Hz	301-500 Hz	
		4h	3p = 6h 4p/5p = 9h	3p = 9h 4p/5p = 6h	7h	10h	2h	
Ampere	Poles	Article no.	Article no.	Article no.	Article no.	Article no.	Article no.	Packing unit
63	3	A33S17	A33S27	A33S37	A33S57	A33S87	A33S97	2
63	4	A43S17	A43S27	A43S37	A43S57	A43S87	A43S97	2
63	5	A53S17	A53S27	<b>A53S37</b>	A53S57	A53S87	A53S97	2
125	3	A34S17	A34S27	A34S37	A34S57	A34S87	A34S97	2
125	4	A44S17	A44S27	A44S37	A44S57	A44S87	A44S97	2
125	5	A54S17	A54S27	A54S37	A54S57	A54S87	A54S97	2



Poles	3	4	5	3	4	5
<b>Ampere</b>	<b>63</b>			<b>125</b>		
<b>a</b>	100	100	100	120	120	120
<b>b</b>	112	112	112	130	130	130
<b>c</b>	80	80	80	100	100	100
<b>d</b>	88	88	88	108	108	108
<b>e</b>	8	8	8	8	8	8
<b>f</b>	127	127	127	139	139	139
<b>g</b>	127	127	127	145	145	145
<b>h</b>	80	80	80	80	80	80
<b>i</b>	7	7	7	7	7	7
<b>Weight [g/each]</b>	515	566	617	833	942	1050

### Appliance inlet, angled 15° watertight IP67

- HighPower version
- nickel-plated contacts with pilot contact
- screw terminals

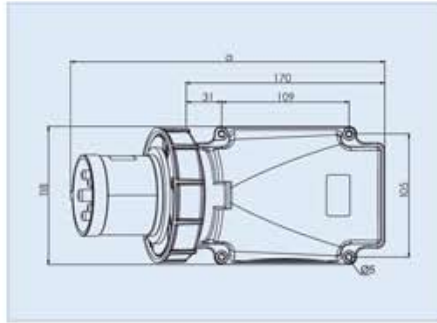
Watertight cap see page 43

		110 V~	230 V~	400 V~	500 V~	>50-500 V~	>50-500 V~	
		50/60 Hz	50/60 Hz	50/60 Hz	50/60 Hz	100-300 Hz	301-500 Hz	
		4h	3p = 6h 4p/5p = 9h	3p = 9h 4p/5p = 6h	7h	10h	2h	
Ampere	Poles	Article no.	Article no.	Article no.	Article no.	Article no.	Article no.	Packing unit
63	3	A33S15	A33S25	A33S35	A33S55	A33S85	A33S95	2
63	4	A43S15	A43S25	A43S35	A43S55	A43S85	A43S95	2
63	5	A53S15	A53S25	A53S35	A53S55	A53S85	A53S95	2
125	3	A34S15	A34S25	A34S35	A34S55	A34S85	A34S95	2
125	4	A44S15	A44S25	A44S35	A44S55	A44S85	A44S95	2
125	5	A54S15	A54S25	A54S35	A54S55	A54S85	A54S95	2



## CEE Appliance inlets

according to IEC 60309, EN 60309, VDE 0623



<b>Poles</b>	<b>3</b>	<b>4</b>	<b>5</b>
<b>Ampere</b>	<b>63</b>		
<b>a</b>	271	271	271
<b>b</b>	124	124	124
<b>Weight [g/each]</b>	670	722	772

### Appliance inlet

watertight IP67

- HighPower version
- nickel-plated contacts with pilot contact
- screw terminals
- cable entry from behind including flange seal

Watertight cap see page 43

		110 V~	230 V~	400 V~	500 V~	>50-500 V~	>50-500 V~	
		50/60 Hz	50/60 Hz	50/60 Hz	50/60 Hz	100-300 Hz	301-500 Hz	
		4h	3p = 6h 4p/5p = 9h	3p = 9h 4p/5p = 6h	7h	10h	2h	
Ampere	Poles	Article no.	Article no.	Article no.	Article no.	Article no.	Article no.	Packing unit
63	3	A33S16	A33S26	A33S36	A33S56	A33S86	A33S96	2
63	4	A43S16	A43S26	A43S36	A43S56	A43S86	A43S96	2
63	5	A53S16	A53S26	A53S36	A53S56	A53S86	A53S96	2

# CEE Phase inverter

according to IEC 60309, EN 60309, VDE 0623



	<b>Poles</b>	<b>4</b>	<b>5</b>	<b>4</b>	<b>5</b>
	<b>Ampere</b>	<b>16</b>		<b>32</b>	
	<b>a</b>	124	131	146	152
	<b>b</b>	88	95	100	106
	<b>c</b>	53	61	63	70
	<b>K</b>	6-15	8-16	10-20	12-22
	<b>SW</b>	38	42	50	50
	<b>Weight [g/each]</b>	122	156	190	232

### Phase inverter

splash-proof IP44  
watertight IP67

- screw terminals
- quick release locking system (turn2fix)
- nickel-plated contacts



		230 V~	400 V~	Degree of protection	
		50/60 Hz	50/60 Hz		
		3p = 6h 4p/5p = 9h	3p = 9h 4p/5p = 6h		
Ampere	Poles	Article no.	Article no.	IP	Packing unit
16	4	S41S20P	S41S30P	44	10
16	4	S41S25P	S41S35P	67	10
16	5		<b>S51S30P</b>	44	10
16	5		S51S35P	67	10
32	4	S42S20P	S42S30P	44	10
32	4	S42S25P	S42S35P	67	10
32	5		<b>S52S30P</b>	44	10
32	5		S52S35P	67	10



<p>b = Height Angle = 15°</p>	<b>Poles</b>	<b>5</b>	<b>5</b>
	<b>Ampere</b>	<b>16</b>	<b>32</b>
	<b>a</b>	123	132
	<b>b</b>	79	86
	<b>M</b>	25	25
	<b>Weight [g/each]</b>	215	280

### Phase inverter – wall-mounted inlet

splash-proof IP44

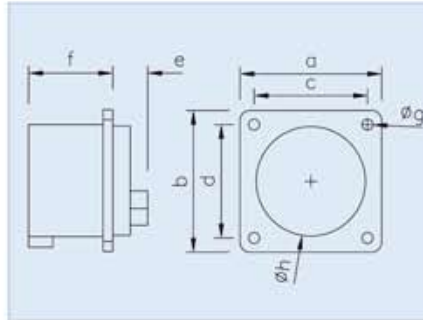
- screw terminals
- cable entry from above or behind
- nickel-plated contacts

		400 V~	Notice	
		50/60 Hz		
		3p = 9h 4p/5p = 6h		
Ampere	Poles	Article no.	Packing unit	
16	5	<b>G51S30P</b>		
16	5	G51S31P	with hinged lid	
32	5	<b>G52S30P</b>		
32	5	G52S31P	with hinged lid	



# CEE Phase inverter

according to IEC 60309, EN 60309, VDE 0623



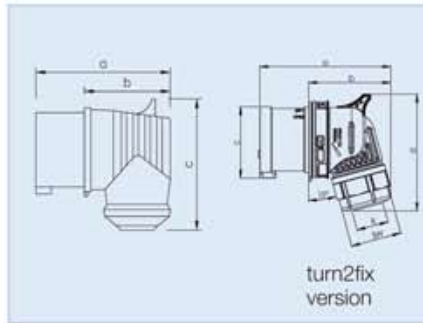
<b>Poles</b>	<b>5</b>	<b>5</b>
<b>Ampere</b>	<b>16</b>	<b>32</b>
<b>a and b</b>	70	70
<b>c and d</b>	56	56
<b>e</b>	26	30
<b>f</b>	42	50
<b>g</b>	5	5
<b>h</b>	55	55
<b>Weight [g/each]</b>	112	178

**Phase inverter – appliance inlet, straight**  
splash-proof IP44

- screw terminals
- nickel-plated contacts

Notice acc. to EN 60309:  
for correct use, a retaining lug or retaining slot is necessary.

<b>Voltage</b>	<b>400 V~</b>		
<b>Frequency</b>	<b>50/60 Hz</b>		
<b>Designation</b>	<b>3p = 9h</b> <b>4p/5p = 6h</b>		
<b>Ampere</b>	<b>Poles</b>	<b>Article no.</b>	<b>Packing unit</b>
16	5	A51S32P	10
32	5	A52S32P	10



<b>Poles</b>	<b>5</b>	<b>4</b>
<b>Ampere</b>	<b>16</b>	<b>16 (turn2fix)</b>
<b>a</b>	101	98
<b>b</b>	65	62
<b>c</b>	98	53
<b>d</b>	-	87
<b>K</b>	-	6-15
<b>SW</b>	-	38
<b>Weight [g/each]</b>	146	130

**Phase inverter angle plug**  
splash-proof IP44

- screw terminals
- short entry sleeve at the side
- nickel-plated contacts

**Phase inverter angle plug**  
splash-proof IP44  
watertight IP67

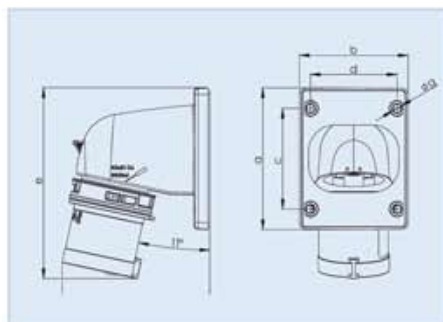
- screw terminals
- quick release locking system (turn2fix)
- nickel-plated contacts

<b>Voltage</b>	<b>230 V~</b>	<b>400 V~</b>	<b>Degree of protection</b>	<b>Notice</b>	<b>Packing unit</b>
<b>Frequency</b>	<b>50/60 Hz</b>	<b>50/60 Hz</b>			
<b>Designation</b>	<b>3p = 6h</b> <b>4p/5p = 9h</b>	<b>3p = 9h</b> <b>4p/5p = 6h</b>			
<b>Ampere</b>	<b>Poles</b>	<b>Article no.</b>	<b>IP</b>		
16	5		44	short entry sleeve	10
16	4	S41S22P	44	turn2fix version	10
16	4	S41S27P	67	turn2fix version	10



# CEE Phase inverter

according to IEC 60309, EN 60309, VDE 0623



Poles	4	5	4	5
Ampere	16		32	
a	86	100	100	100
b	66	90	90	90
c	61	85	85	85
d	53	77	77	77
e	117	153	163	164
f	93	98	100	103
g	5	5	5	5
Weight [g/each]	143	187	220	244

**Phase inverter – angle appliance inlet**

splash-proof IP44  
watertight IP67

- screw terminals
- quick release locking system (turn2fix)
- nickel-plated contacts




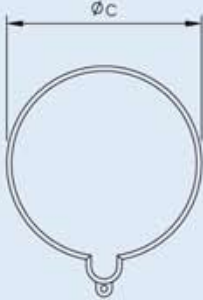
Voltage		230 V~	400 V~	Degree of protection	
Frequency		50/60 Hz	50/60 Hz		
Designation		3p = 6h 4p/5p = 9h	3p = 9h 4p/5p = 6h		
Ampere	Poles	Article no.	Article no.	IP	Packing unit
16	4	A41S21P	A41S31P	44	10
16	4	A41S26P	A41S36P	67	10
16	5		A51S31P	44	10
16	5		A51S36P	67	10
32	4	A42S21P	A42S31P	44	10
32	4	A42S26P	A42S36P	67	10
32	5		A52S31P	44	10
32	5		A52S36P	67	10





**Dust cap 16 and 32 A**

- for all plugs and appliance inlets
- protects contacts from contamination

			<b>Poles</b>	<b>3</b>	<b>4</b>	<b>5</b>	<b>3</b>	<b>4</b>	<b>5</b>
			<b>Ampere</b>	<b>16</b>			<b>32</b>		
<b>a</b>	15	15	15	15	15	15	15	15	15
<b>b</b>	56	63	71	71	71	79			
<b>c</b>	48	54	61	61	61	67			
<b>Weight [g/each]</b>	10	12	14	14	14	16			
<b>Article no.</b>	VD0163	VD0164	VD0165	VD0323	VD0323	VD0325			



**Dust cap 63 and 125 A**


- for all plugs and appliance inlets
- protects contacts from contamination

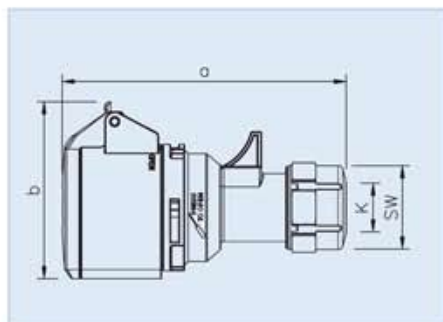
			<b>Poles</b>	<b>3</b>	<b>4</b>	<b>5</b>	<b>3</b>	<b>4</b>	<b>5</b>
			<b>Ampere</b>	<b>63</b>			<b>125</b>		
<b>a</b>	21	21	21	21	21	21	21	21	21
<b>b</b>	82	82	82	93	93	93			
<b>c</b>	73	73	73	86	86	86			
<b>Weight [g/each]</b>	21	21	21	25	25	25			
<b>Article no.</b>	VD0633	VD0633	VD0633	VD1253	VD1253	VD1253			



**Water protection cap 63 and 125 A**

- watertight IP67
- for all 63 and 125 A plugs and appliance inlets

			<b>Poles</b>	<b>3</b>	<b>4</b>	<b>5</b>	<b>3</b>	<b>4</b>	<b>5</b>
			<b>Ampere</b>	<b>63</b>			<b>125</b>		
<b>a</b>	72	72	72	82	82	82			
<b>b</b>	78	78	78	91	91	91			
<b>c</b>	211	211	211	205	205	205			
<b>d</b>	4	4	4	5	5	5			
<b>Weight [g/each]</b>	75	75	75	98	98	98			
<b>Article no.</b>	WS0633	WS0633	WS0633	WS1253	WS1253	WS1253			



Poles	3	4	5	3	4	5
Ampere	16			32		
a	129	135	142	159	159	165
b	76	80	89	92	92	98
K	6-15	6-15	8-16	10-20	10-20	12-22
SW	38	38	42	50	50	50
Weight [g/each]	137	161	183	225	244	278

**Connector**

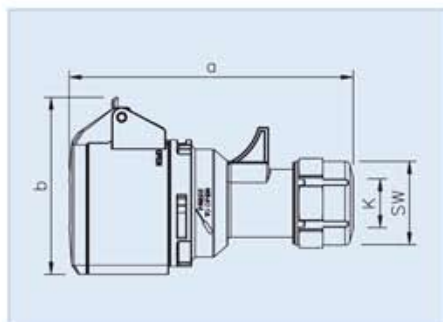
splash-proof IP44

- hinged lid with thumb grip
- screw terminals
- quick release locking system (turn2fix)

All connectors are also available with **nickel-plated** contacts. Add a "V" instead of the "S" to the article number e.g. K31V10.



		110 V~	230 V~	400 V~	440 V~	500 V~	>50-500 V~	>50-500 V~	
		50/60 Hz	50/60 Hz	50/60 Hz	50/60 Hz	50/60 Hz	100-300 Hz	301-500 Hz	
		4h	3p = 6h 4p/5p = 9h	3p = 9h 4p/5p = 6h	11h	7h	10h	2h	
Ampere	Poles	Article no.	Article no.	Article no.	Article no.	Article no.	Article no.	Article no.	Packing unit
16	3	K31S10	<b>K31S20</b>	K31S30		K31S50	K31S80	K31S90	10
16	4	K41S10	K41S20	<b>K41S30</b>	K41S40	K41S50	K41S80	K41S90	10
16	5	K51S10	K51S20	<b>K51S30</b>		K51S50	K51S80	K51S90	10
32	3	K32S10	<b>K32S20</b>	K32S30		K32S50	K32S80	K32S90	10
32	4	K42S10	K42S20	<b>K42S30</b>	K42S40	K42S50	K42S80	K42S90	10
32	5	K52S10	K52S20	<b>K52S30</b>		K52S50	K52S80	K52S90	10



Poles	3	4	5	3	4	5
Ampere	16			32		
a	129	135	142	159	159	165
b	76	80	89	92	92	98
K	6-15	6-15	8-16	10-20	10-20	12-22
SW	38	38	42	50	50	50
Weight [g/each]	142	168	195	232	251	285

**Connector**

splash-proof IP44

- hinged lid with thumb grip
- screwless connection technology (plug2power)
- quick release locking system (turn2fix)

All connectors are also available with **nickel-plated** contacts. Add a "V" instead of the "S" to the article number e.g. K31VL10.



		110 V~	230 V~	400 V~	500 V~	>50-500 V~	>50-500 V~	
		50/60 Hz	50/60 Hz	50/60 Hz	50/60 Hz	100-300 Hz	301-500 Hz	
		4h	3p = 6h 4p/5p = 9h	3p = 9h 4p/5p = 6h	7h	10h	2h	
Ampere	Poles	Article no.	Article no.	Article no.	Article no.	Article no.	Article no.	Packing unit
16	3	K31SL10	K31SL20	K31SL30	K31SL50	K31SL80	K31SL90	10
16	4	K41SL10	K41SL20	K41SL30	K41SL50	K41SL80	K41SL90	10
16	5	K51SL10	K51SL20	<b>K51SL30</b>	K51SL50	K51SL80	K51SL90	10
32	3	K32SL10	K32SL20	K32SL30	K32SL50	K32SL80	K32SL90	10
32	4	K42SL10	K42SL20	K42SL30	K42SL50	K42SL80	K42SL90	10
32	5	K52SL10	K52SL20	<b>K52SL30</b>	K52SL50	K52SL80	K52SL90	10





	Poles	3	4	5	3	4	5
	Ampere	16			32		
a	133	139	145	162	162	168	
b	78	84	92	96	96	102	
K	6-15	6-15	8-16	10-20	10-20	12-22	
SW	38	38	42	50	50	50	
Weight [g/each]	156	185	215	266	285	323	

**Connector**

watertight IP67

- screw terminals
- quick release locking system (turn2fix)

All connectors are also available with **nickel-plated** contacts. Add a "V" instead of the "S" to the article number e.g. K31V15.



Voltage	110 V~	230 V~	400 V~	440 V~	500 V~	>50-500 V~	>50-500 V~		
Frequency	50/60 Hz	50/60 Hz	50/60 Hz	50/60 Hz	50/60 Hz	100-300 Hz	301-500 Hz		
Designation	4h	3p = 6h 4p/5p = 9h	3p = 9h 4p/5p = 6h	11h	7h	10h	2h		
Ampere	Poles	Article no.	Article no.	Article no.	Article no.	Article no.	Article no.	Packing unit	
16	3	K31S15	<b>K31S25</b>	K31S35		K31S55	K31S85	K31S95	10
16	4	K41S15	K41S25	K41S35	K41S45	K41S55	K41S85	K41S95	10
16	5	K51S15	K51S25	<b>K51S35</b>		K51S55	K51S85	K51S95	10
32	3	K32S15	K32S25	K32S35		K32S55	K32S85	K32S95	10
32	4	K42S15	K42S25	K42S35	K42S45	K42S55	K42S85	K42S95	10
32	5	K52S15	K52S25	<b>K52S35</b>		K52S55	K52S85	K52S95	10



	Poles	3	4	5	3	4	5
	Ampere	16			32		
a	133	139	145	162	162	168	
b	78	84	92	96	96	102	
K	6-15	6-15	8-16	10-20	10-20	12-22	
SW	38	38	42	50	50	50	
Weight [g/each]	161	192	227	273	292	330	

**Connector**

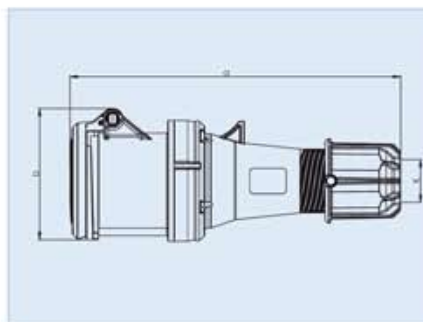
watertight IP67

- screwless connection technology (plug2power)
- quick release locking system (turn2fix)

All connectors are also available with **nickel-plated** contacts. Add a "V" instead of the "S" to the article number e.g. K31VL15.



Voltage	110 V~	230 V~	400 V~	500 V~	>50-500 V~	>50-500 V~		
Frequency	50/60 Hz	50/60 Hz	50/60 Hz	50/60 Hz	100-300 Hz	301-500 Hz		
Designation	4h	3p = 6h 4p/5p = 9h	3p = 9h 4p/5p = 6h	7h	10h	2h		
Ampere	Poles	Article no.	Article no.	Article no.	Article no.	Article no.	Packing unit	
16	3	K31SL15	K31SL25	K31SL35	K31SL55	K31SL85	K31SL95	10
16	4	K41SL15	K41SL25	K41SL35	K41SL55	K41SL85	K41SL95	10
16	5	K51SL15	K51SL25	K51SL35	K51SL55	K51SL85	K51SL95	10
32	3	K32SL15	K32SL25	K32SL35	K32SL55	K32SL85	K32SL95	10
32	4	K42SL15	K42SL25	K42SL35	K42SL55	K42SL85	K42SL95	10
32	5	K52SL15	K52SL25	K52SL35	K52SL55	K52SL85	K52SL95	10



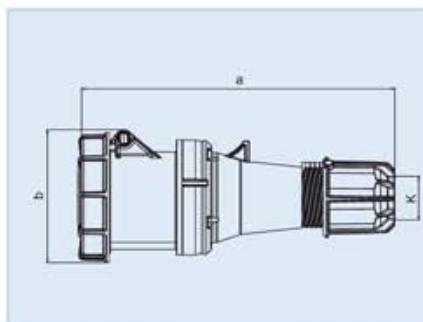
Poles	3	4	5
Ampere	63		
a	269	269	269
b	107	107	107
K	14,5-36	14,5-36	14,5-36
Weight [g/each]	626	677	727

**Connector**

splash-proof IP44

- HighPower version
- with pilot contact
- screw terminals

Voltage		110 V~	230 V~	400 V~	440 V~	500 V~	>50-500 V~	>50-500 V~	
Frequency		50/60 Hz	50/60 Hz	50/60 Hz	50/60 Hz	50/60 Hz	100-300 Hz	301-500 Hz	
Designation		4h	3p = 6h 4p/5p = 9h	3p = 9h 4p/5p = 6h	11h	7h	10h	2h	
Ampere	Poles	Article no.	Article no.	Article no.	Article no.	Article no.	Article no.	Article no.	Packing unit
63	3	K33S10	K33S20	K33S30		K33S50	K33S80	K33S90	2
63	4	K43S10	K43S20	K43S30	K43S40	K43S50	K43S80	K43S90	2
63	5	K53S10	K53S20	<b>K53S30</b>		K53S50	K53S80	K53S90	2



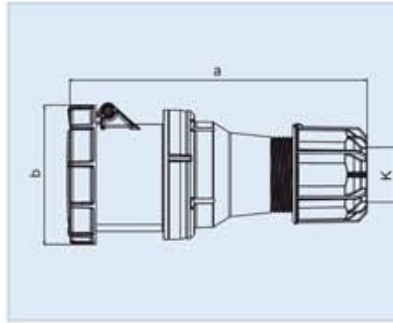
Poles	3	4	5
Ampere	63		
a	269	269	269
b	114	114	114
K	14,5-36	14,5-36	14,5-36
Weight [g/each]	669	720	770

**Connector**

watertight IP67

- HighPower version
- with pilot contact
- screw terminals

Voltage		110 V~	230 V~	400 V~	440 V~	500 V~	>50-500 V~	>50-500 V~	
Frequency		50/60 Hz	50/60 Hz	50/60 Hz	50/60 Hz	50/60 Hz	100-300 Hz	301-500 Hz	
Designation		4h	3p = 6h 4p/5p = 9h	3p = 9h 4p/5p = 6h	11h	7h	10h	2h	
Ampere	Poles	Article no.	Article no.	Article no.	Article no.	Article no.	Article no.	Article no.	Packing unit
63	3	K33S15	K33S25	K33S35		K33S55	K33S85	K33S95	2
63	4	K43S15	K43S25	K43S35	K43S45	K43S55	K43S85	K43S95	2
63	5	K53S15	K53S25	<b>K53S35</b>		K53S55	K53S85	K53S95	2



Poles	3	4	5
Ampere	125		
a	287	287	287
b	124	124	124
K	22,5-50	22,5-50	22,5-50
Weight [g/each]	1054	1158	1250

**Connector**

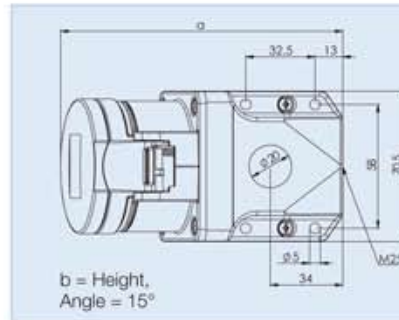
watertight IP67

- HighPower version
- with pilot contact
- screw terminals

Voltage	110 V~	230 V~	400 V~	440 V~	500 V~	>50-500 V~	>50-500 V~		
Frequency	50/60 Hz	50/60 Hz	50/60 Hz	50/60 Hz	50/60 Hz	100-300 Hz	301-500 Hz		
Designation	4h	3p = 6h 4p/5p = 9h	3p = 9h 4p/5p = 6h	11h	7h	10h	2h		
Ampere	Poles	Article no.	Article no.	Article no.	Article no.	Article no.	Article no.	Packing unit	
125	3	K34S15	K34S25	K34S35		K34S55	K34S85	K34S95	2
125	4	K44S15	K44S25	K44S35	K44S45	K44S55	K44S85	K44S95	2
125	5	K54S15	K54S25	<b>K54S35</b>		K54S55	K54S85	K54S95	2



according to IEC 60309, EN 60309, VDE 0623



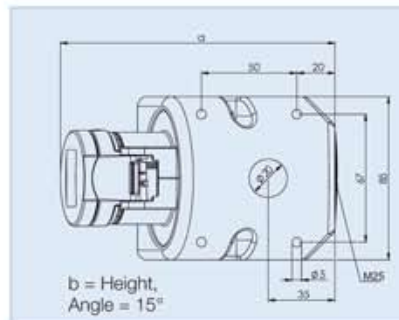
<b>Poles</b>	<b>3</b>	<b>4</b>	<b>5</b>	<b>3</b>	<b>4</b>	<b>5</b>
<b>Ampere</b>	<b>16</b>			<b>32</b>		
<b>a</b>	126	128	129	141	141	143
<b>b</b>	86	90	96	97	97	104
<b>M</b>	25	25	25	25	25	25
<b>Weight [g/each]</b>	205	213	238	258	273	319

**Wall-mounted socket outlet**  
splash-proof IP44

- screw terminals
- cable entry from above or behind
- including self-sealing grommet

All wall-mounted socket outlets are also available with **nickel-plated** contacts.  
Add a "V" instead of the "S" to the article number e.g. D31V10.

		110 V~	230 V~	400 V~	440 V~	500 V~	>50-500 V~	>50-500 V~	
		50/60 Hz	50/60 Hz	50/60 Hz	50/60 Hz	50/60 Hz	100-300 Hz	301-500 Hz	
		4h	3p = 6h 4p/5p = 9h	3p = 9h 4p/5p = 6h	11h	7h	10h	2h	
Ampere	Poles	Article no.	Article no.	Article no.	Article no.	Article no.	Article no.	Article no.	Packing unit
16	3	D31S10	D31S20	D31S30		D31S50	D31S80	D31S90	10
16	4	D41S10	D41S20	D41S30	D41S40	D41S50	D41S80	D41S90	10
16	5	D51S10	D51S20	D51S30		D51S50	D51S80	D51S90	10
32	3	D32S10	D32S20	D32S30		D32S50	D32S80	D32S90	10
32	4	D42S10	D42S20	D42S30	D42S40	D42S50	D42S80	D42S90	10
32	5	D52S10	D52S20	D52S30		D52S50	D52S80	D52S90	10



<b>Poles</b>	<b>3</b>	<b>4</b>	<b>5</b>	<b>3</b>	<b>4</b>	<b>5</b>
<b>Ampere</b>	<b>16</b>			<b>32</b>		
<b>a</b>	140	141	139	152	152	153
<b>b</b>	89	92	97	100	100	105
<b>M</b>	25	25	25	25	25	25
<b>Weight [g/each]</b>	228	248	258	279	295	324

**Wall-mounted socket outlet**  
splash-proof IP44

- screwless connection technology (plug2power)
- cable entry from above or behind
- including self-sealing grommet

All wall-mounted socket outlets are also available with **nickel-plated** contacts.  
Add a "V" instead of the "S" to the article number e.g. D31VL10.

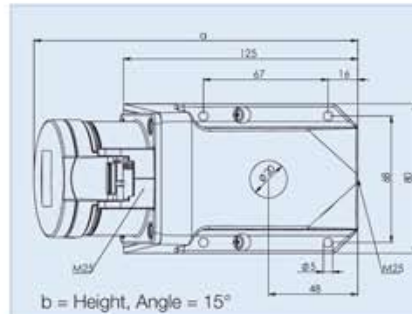
		110 V~	230 V~	400 V~	500 V~	>50-500 V~	>50-500 V~	
		50/60 Hz	50/60 Hz	50/60 Hz	50/60 Hz	100-300 Hz	301-500 Hz	
		4h	3p = 6h 4p/5p = 9h	3p = 9h 4p/5p = 6h	7h	10h	2h	
Ampere	Poles	Article no.	Article no.	Article no.	Article no.	Article no.	Article no.	Packing unit
16	3	D31SL10	D31SL20	D31SL30	D31SL50	D31SL80	D31SL90	10
16	4	D41SL10	D41SL20	D41SL30	D41SL50	D41SL80	D41SL90	10
16	5	D51SL10	D51SL20	<b>D51SL30</b>	D51SL50	D51SL80	D51SL90	10
32	3	D32SL10	D32SL20	D32SL30	D32SL50	D32SL80	D32SL90	10
32	4	D42SL10	D42SL20	D42SL30	D42SL50	D42SL80	D42SL90	10
32	5	D52SL10	D52SL20	<b>D52SL30</b>	D52SL50	D52SL80	D52SL90	10







according to IEC 60309, EN 60309, VDE 0623



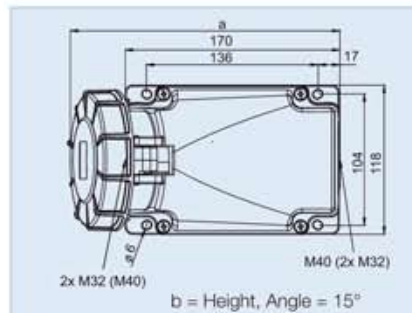
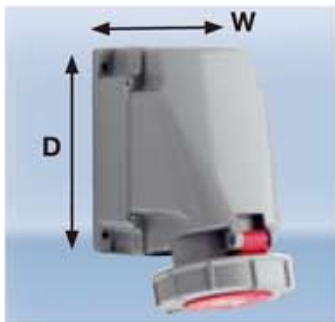
Poles	3	4	5	3	4	5
Ampere	16			32		
a	171	172	170	182	182	183
b	127	130	135	135	135	144
M	2 x 25	2 x 25	2 x 25	2 x 25	2 x 25	2 x 25
Weight [g/each]	314	334	344	380	392	434

**Wall-mounted socket outlet**  
splash-proof IP44

- screw terminals
- can be looped through
- cable entry above or below
- including self-sealing grommet

All wall-mounted socket outlets are also available with **nickel-plated** contacts. Add a "V" instead of the "S" to the article number e.g. D31V12.

Voltage	110 V~	230 V~	400 V~	440 V~	500 V~	>50-500 V~	>50-500 V~		
Frequency	50/60 Hz	50/60 Hz	50/60 Hz	50/60 Hz	50/60 Hz	100-300 Hz	301-500 Hz		
Designation	4h	3p = 6h 4p/5p = 9h	3p = 9h 4p/5p = 6h	11h	7h	10h	2h		
Ampere	Poles	Article no.	Article no.	Article no.	Article no.	Article no.	Article no.	Packing unit	
16	3	D31S12	<b>D31S22</b>	D31S32		D31S52	D31S82	D31S92	5
16	4	D41S12	D41S22	D41S32		D41S52	D41S82	D41S92	5
16	5	D51S12	D51S22	<b>D51S32</b>		D51S52	D51S82	D51S92	5
32	3	D32S12	D32S22	D32S32		D32S52	D32S82	D32S92	5
32	4	D42S12	D42S22	D42S32	D42S42	D42S52	D42S82	D42S92	5
32	5	D52S12	D52S22	<b>D52S32</b>		D52S52	D52S82	D52S92	5



Poles	3	4	5
Ampere	63		
a	213	213	213
b	173	173	173
Weight [g/each]	811	858	914

**Wall-mounted socket outlet**  
watertight IP67

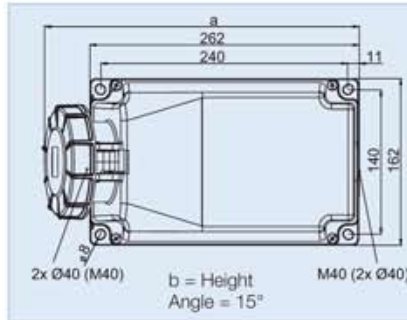
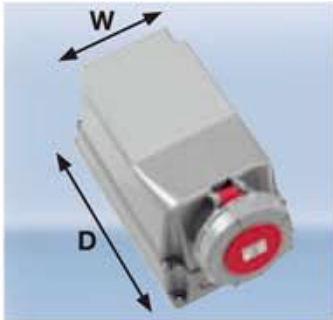
Basic housing W x H x D = 118 x 170 x 172 mm  
1 x M40 above, 2 x M32 below

- HighPower version
- with pilot contact
- screw terminals
- cable entry above, below or behind
- housing can be rotated 180°

splash-proof IP44 upon request

Voltage	110 V~	230 V~	400 V~	440 V~	500 V~	>50-500 V~	>50-500 V~		
Frequency	50/60 Hz	50/60 Hz	50/60 Hz	50/60 Hz	50/60 Hz	100-300 Hz	301-500 Hz		
Designation	4h	3p = 6h 4p/5p = 9h	3p = 9h 4p/5p = 6h	11h	7h	10h	2h		
Ampere	Poles	Article no.	Article no.	Article no.	Article no.	Article no.	Article no.	Packing unit	
63	3	D33S16	D33S26	D33S36		D33S56	D33S86	D33S96	2
63	4	D43S16	D43S26	D43S36	D43S46	D43S56	D43S86	D43S96	2
63	5	D53S16	D53S26	<b>D53S36</b>		D53S56	D53S86	D53S96	2





<b>Poles</b>	<b>3</b>	<b>4</b>	<b>5</b>
<b>Ampere</b>	<b>63</b>		
<b>a</b>	306	306	306
<b>b</b>	195	195	195
<b>Weight [g/each]</b>	1354	1403	1459

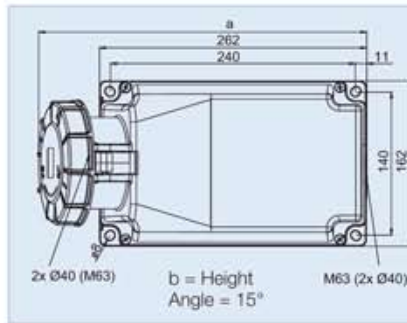
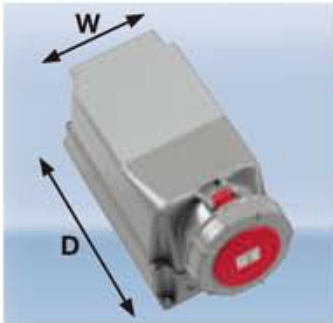
**Wall-mounted socket outlet**  
watertight IP67

Basic housing W x H x D =  
160 x 260 x 190 mm  
1 x M40 above, 2 x Ø40 below

- HighPower version
- with pilot contact
- screw terminals
- cable entry above, below or behind
- housing can be rotated 180°

splash-proof IP44  
upon request

		110 V~	230 V~	400 V~	440 V~	500 V~	>50-500 V~	>50-500 V~	
		50/60 Hz	50/60 Hz	50/60 Hz	50/60 Hz	50/60 Hz	100-300 Hz	301-500 Hz	
		4h	3p = 6h 4p/5p = 9h	3p = 9h 4p/5p = 6h	11h	7h	10h	2h	
Ampere	Poles	Article no.	Article no.	Article no.	Article no.	Article no.	Article no.	Article no.	Packing unit
63	3	D33S17	D33S27	D33S37		D33S57	D33S87	D33S97	2
63	4	D43S17	D43S27	D43S37	D43S47	D43S57	D43S87	D43S97	2
63	5	D53S17	D53S27	D53S37		D53S57	D53S87	D53S97	2



<b>Poles</b>	<b>3</b>	<b>4</b>	<b>5</b>
<b>Ampere</b>	<b>125</b>		
<b>a</b>	322	322	322
<b>b</b>	205	205	205
<b>Weight [g/each]</b>	1850	1900	1950

**Wall-mounted socket outlet**  
watertight IP67

\* Basic housing W x H x D =  
160 x 201 x 260 mm  
1 x Ø50 above, 2 x Ø40 below

\*\* Basic housing W x H x D =  
160 x 201 x 260 mm  
1 x M63 above, 2 x Ø40 below

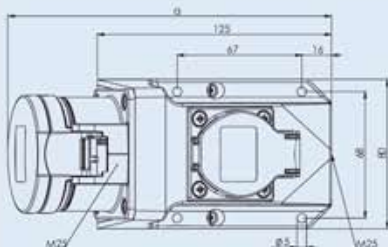
- HighPower version
- with pilot contact
- screw terminals
- cable entry above, below or behind
- housing can be rotated 180°

		110 V~	230 V~	400 V~	440 V~	500 V~	>50-500 V~	>50-500 V~	
		50/60 Hz	50/60 Hz	50/60 Hz	50/60 Hz	50/60 Hz	100-300 Hz	301-500 Hz	
		4h	3p = 6h 4p/5p = 9h	3p = 9h 4p/5p = 6h	11h	7h	10h	2h	
Ampere	Poles	Article no.	Article no.	Article no.	Article no.	Article no.	Article no.	Article no.	Packing unit
125 *	3	D34S17	D34S27	D34S37		D34S57	D34S87	D34S97	1
125 **	4	D44S17	D44S27	D44S37	D44S47	D44S57	D44S87	D44S97	1
125 **	5	D54S17	D54S27	D54S37		D54S57	D54S87	D54S97	1

# CEE Combi-wall-mounted socket outlets

according to IEC 60309, EN 60309, VDE 0623



	<b>Poles</b>	<b>3</b>	<b>4</b>	<b>5</b>	<b>3</b>	<b>4</b>	<b>5</b>
	<b>Ampere</b>	<b>16</b>			<b>32</b>		
	<b>a</b>	171	172	170	182	182	183
	<b>b</b>	127	130	135	135	135	144
	<b>M</b>	2 x 25	2 x 25	2 x 25	2 x 25	2 x 25	2 x 25
	<b>Weight [g/each]</b>	394	415	425	446	458	500

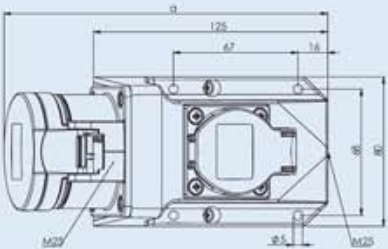
## Combi-wall-mounted socket outlet

splash-proof IP44

- wall box with integrated SCHUKO socket outlet
- connecting terminals up to 10 mm<sup>2</sup>
- **wired**
- cable entry above, below or behind
- for 32 A: SCHUKO socket outlet fused, fuse (10 A delayed-tripping)
- including self-sealing grommet

<b>Voltage</b>	<b>230 V~</b>	<b>400 V~</b>	
<b>Frequency</b>	<b>50/60 Hz</b>	<b>50/60 Hz</b>	
<b>Designation</b>	<b>3p = 6h 4p/5p = 9h</b>	<b>3p = 9h 4p/5p = 6h</b>	
<b>Ampere</b>	<b>Poles</b>	<b>Article no.</b>	<b>Article no.</b>
<b>16</b>	<b>3</b>	D31S231	
<b>16</b>	<b>4</b>	D41S231	D41S331
<b>16</b>	<b>5</b>		<b>D51S331</b>
<b>32</b>	<b>3</b>	D32S231	
<b>32</b>	<b>4</b>	D42S231	D42S331
<b>32</b>	<b>5</b>		<b>D52S331</b>
			<b>Packing unit</b>
			<b>5</b>



	<b>Poles</b>	<b>3</b>	<b>4</b>	<b>5</b>	<b>3</b>	<b>4</b>	<b>5</b>
	<b>Ampere</b>	<b>16</b>			<b>32</b>		
	<b>a</b>	171	172	170	182	182	183
	<b>b</b>	127	130	135	135	135	144
	<b>M</b>	2 x 25	2 x 25	2 x 25	2 x 25	2 x 25	2 x 25
	<b>Weight [g/each]</b>	384	405	415	446	458	500

## Combi-wall-mounted socket outlet

splash-proof IP44

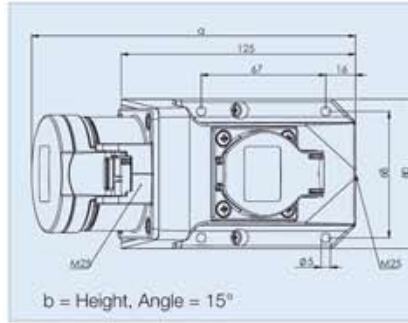
- wall box with integrated SCHUKO socket outlet
- connecting terminals up to 10 mm<sup>2</sup>
- **not wired**
- cable entry above, below or behind
- including self-sealing grommet

<b>Voltage</b>	<b>230 V~</b>	<b>400 V~</b>	
<b>Frequency</b>	<b>50/60 Hz</b>	<b>50/60 Hz</b>	
<b>Designation</b>	<b>3p = 6h 4p/5p = 9h</b>	<b>3p = 9h 4p/5p = 6h</b>	
<b>Ampere</b>	<b>Poles</b>	<b>Article no.</b>	<b>Article no.</b>
<b>16</b>	<b>3</b>	D31S232	
<b>16</b>	<b>4</b>	D41S232	D41S332
<b>16</b>	<b>5</b>		<b>D51S332</b>
<b>32</b>	<b>3</b>	D32S232	
<b>32</b>	<b>4</b>	D42S232	D42S332
<b>32</b>	<b>5</b>		<b>D52S332</b>
			<b>Packing unit</b>
			<b>5</b>



# CEE Combi-wall-mounted socket outlets

according to IEC 60309, EN 60309, VDE 0623



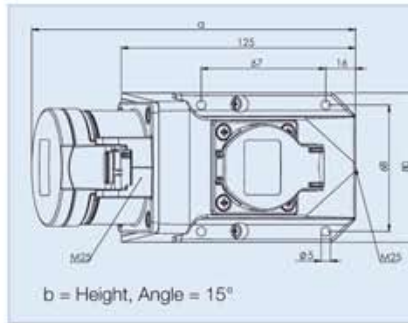
<b>Poles</b>	<b>3</b>	<b>4</b>	<b>5</b>	<b>3</b>	<b>4</b>	<b>5</b>
<b>Ampere</b>	<b>16</b>			<b>32</b>		
<b>a</b>	171	172	170	182	182	183
<b>b</b>	127	130	135	135	135	144
<b>M</b>	2 x 25	2 x 25	2 x 25	2 x 25	2 x 25	2 x 25
<b>Weight [g/each]</b>	394	415	425	446	458	500

## Combi-wall-mounted socket outlet

splash-proof IP44

- wall box with integrated protective contact socket outlet with earth pin **(CEE 7/V)**
- connecting terminals up to 10 mm<sup>2</sup>
- **wired**
- cable entry above, below or behind
- for 32 A: protective contact socket outlet fused, fuse (10 A delayed-tripping)
- including self-sealing grommet

<b>Voltage</b>	<b>230 V~</b>	<b>400 V~</b>	
<b>Frequency</b>	<b>50/60 Hz</b>	<b>50/60 Hz</b>	
<b>Designation</b>	<b>3p = 6h 4p/5p = 9h</b>	<b>3p = 9h 4p/5p = 6h</b>	
<b>Ampere</b>	<b>Poles</b>	<b>Article no.</b>	<b>Article no.</b>
16	3	D31S233	
16	4	D41S233	D41S333
16	5		D51S333
32	3	D32S233	
32	4	D42S233	D42S333
32	5		D52S333
			<b>Packing unit</b>
			5



<b>Poles</b>	<b>3</b>	<b>4</b>	<b>5</b>	<b>3</b>	<b>4</b>	<b>5</b>
<b>Ampere</b>	<b>16</b>			<b>32</b>		
<b>a</b>	171	172	170	182	182	183
<b>b</b>	127	130	135	135	135	144
<b>M</b>	2 x 25	2 x 25	2 x 25	2 x 25	2 x 25	2 x 25
<b>Weight [g/each]</b>	384	405	415	446	458	500

## Combi-wall-mounted socket outlet

splash-proof IP44

- wall box with integrated protective contact socket outlet with earth pin **(CEE 7/V)**
- connecting terminals up to 10 mm<sup>2</sup>
- **not wired**
- cable entry above, below or behind
- including self-sealing grommet

<b>Voltage</b>	<b>230 V~</b>	<b>400 V~</b>	
<b>Frequency</b>	<b>50/60 Hz</b>	<b>50/60 Hz</b>	
<b>Designation</b>	<b>3p = 6h 4p/5p = 9h</b>	<b>3p = 9h 4p/5p = 6h</b>	
<b>Ampere</b>	<b>Poles</b>	<b>Article no.</b>	<b>Article no.</b>
16	3	D31S234	
16	4	D41S234	D41S334
16	5		D51S334
32	3	D32S234	
32	4	D42S234	D42S334
32	5		D52S334
			<b>Packing unit</b>
			5

Wherever different voltages need to be tapped at same spot, the CombiSwitch wall-mounted socket outlets are exactly the right solution – developed by professionals for practical use.

**Technical data:**

- large connection space
- housing made of impact-resistant plastic
- wired
- cable entry M25 from above, ø 25 mm behind
- external metal parts from stainless steel
- including self-sealing grommet
- can be locked in switched-off position with padlock (40 mm)
- ON/OFF switch AC 22A, 10 kA according to EN 60947-3
- switches all outlets



	<b>Poles</b>	<b>3</b>	<b>4</b>	<b>5</b>	<b>3</b>	<b>4</b>	<b>5</b>
	<b>Ampere</b>	<b>16</b>			<b>32</b>		
	<b>a</b>	208	209	207	211	211	212
	<b>Weight [g/each]</b>	675	695	705	755	780	805

**Wall-mounted socket outlet  
CombiSwitch with panel-  
mounted socket outlet, angled**  
splash-proof IP44

- CEE 16 A 3p up to 32 A 5p

watertight IP67 upon request

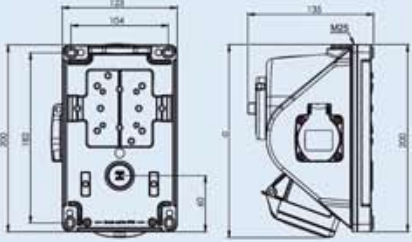
Ampere	Poles	Switch	Socket outlets/ Earthing system	Article no.	Packing unit
16	3	0 - 1	0	D31S240	1
16	4	0 - 1	0	D41S340	1
16	5	0 - 1	0	D51S340	1
32	3	0 - 1	0	D32S240	1
32	4	0 - 1	0	D42S340	1
32	5	0 - 1	0	D52S340	1

**with reversing switch**

16	4	L - 0 - R		D41S341	1
16	5	L - 0 - R		D51S341	1
32	4	L - 0 - R		D42S341	1
32	5	L - 0 - R		D52S341	1





	<b>Poles</b>	<b>3</b>	<b>4</b>	<b>5</b>	<b>3</b>	<b>4</b>	<b>5</b>
	<b>Ampere</b>	<b>16</b>			<b>32</b>		
	<b>a</b>	208	209	207	211	211	212
	<b>Weight [g/each]</b>	715	735	745	800	825	850

**Wall-mounted socket outlet CombiSwitch with panel-mounted socket outlet, angled splash-proof IP44**

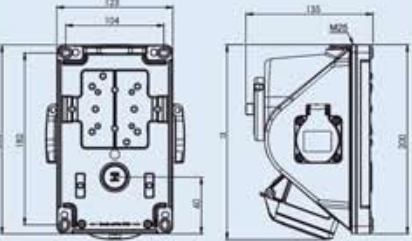
- CEE 16 A 3p up to 32 A 5p with 1 SCHUKO socket outlet 16A 250V
- for the 32 A version; SCHUKO socket outlet fused with 10 A fuse

Ampere	Poles	Switch	Socket outlets/ Earthing system	Article no.	Switch	Socket outlets/ Earthing system	Article no.	Packing unit
16	3	0 - 1	1 / Schuko	D31S242	0 - 1	1 / CEE 7/V	D31S243	1
16	4	0 - 1	1 / Schuko	D41S342	0 - 1	1 / CEE 7/V	D41S343	1
16	5	0 - 1	1 / Schuko	D51S342	0 - 1	1 / CEE 7/V	D51S343	1
32	3	0 - 1	1 / Schuko	D32S242	0 - 1	1 / CEE 7/V	D32S243	1
32	4	0 - 1	1 / Schuko	D42S342	0 - 1	1 / CEE 7/V	D42S343	1
32	5	0 - 1	1 / Schuko	D52S342	0 - 1	1 / CEE 7/V	D52S343	1

upon request:

- versions with CEE 7/V, Danish, British and Swiss protective contact socket outlet
- version with reversing switch
- watertight IP67



	<b>Poles</b>	<b>3</b>	<b>4</b>	<b>5</b>	<b>3</b>	<b>4</b>	<b>5</b>
	<b>Ampere</b>	<b>16</b>			<b>32</b>		
	<b>a</b>	208	209	207	211	211	212
	<b>Weight [g/each]</b>	765	785	795	845	870	895

**Wall-mounted socket outlet CombiSwitch with panel-mounted socket outlet, angled splash-proof IP44**

- CEE 16 A 3p up to 32 A 5p with 2 SCHUKO socket outlets 16A 250V
- for the 32 A version; SCHUKO socket outlet fused with 10 A fuse

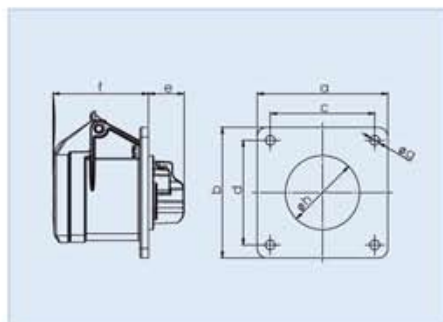
Ampere	Poles	Switch	Socket outlets/ Earthing system	Article no.	Switch	Socket outlets/ Earthing system	Article no.	Packing unit
16	3	0 - 1	2 / Schuko	D31S244	0 - 1	2 / CEE 7/V	D31S245	1
16	4	0 - 1	2 / Schuko	D41S344	0 - 1	2 / CEE 7/V	D41S345	1
16	5	0 - 1	2 / Schuko	D51S344	0 - 1	2 / CEE 7/V	D51S345	1
32	3	0 - 1	2 / Schuko	D32S244	0 - 1	2 / CEE 7/V	D32S245	1
32	4	0 - 1	2 / Schuko	D42S344	0 - 1	2 / CEE 7/V	D42S345	1
32	5	0 - 1	2 / Schuko	D52S344	0 - 1	2 / CEE 7/V	D52S345	1

upon request:

- versions with CEE 7/V, Danish, British and Swiss protective contact socket outlet
- version with reversing switch
- watertight IP67

# CEE Panel-mounted socket outlets, straight

according to IEC 60309, EN 60309, VDE 0623



Poles	3	4	5	3	4	5
Ampere	16			32		
a and b	75	75	75	75	75	75
c and d	60	60	60	60	60	60
e	21	21	21	23	23	23
f	55	55	55	67	67	67
g	5,5	5,5	5,5	5,5	5,5	5,5
h	43	45	55	55	55	58
Weight [g/each]	117	132	141	168	185	217

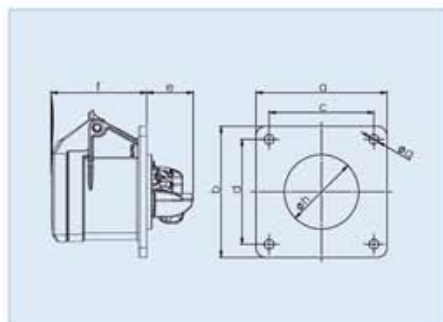
## Panel-mounted socket outlet, straight

splash-proof IP44

- screw terminals
- suitable for cable ducts

All panel-mounted socket outlets are also available with **nickel-plated** contacts. Add a "V" instead of the "S" to the article number e.g. F31V100.

Voltage	110 V~	230 V~	400 V~	440 V~	500 V~	>50-500 V~	>50-500 V~		
Frequency	50/60 Hz	50/60 Hz	50/60 Hz	50/60 Hz	50/60 Hz	100-300 Hz	301-500 Hz		
Designation	4h	3p = 6h 4p/5p = 9h	3p = 9h 4p/5p = 6h	11h	7h	10h	2h		
Ampere	Poles	Article no.	Article no.	Article no.	Article no.	Article no.	Article no.	Packing unit	
16	3	F31S100	<b>F31S200</b>	F31S300		F31S500	F31S800	F31S900	10
16	4	F41S100	F41S200	F41S300	F41S400	F41S500	F41S800	F41S900	10
16	5	F51S100	F51S200	<b>F51S300</b>		F51S500	F51S800	F51S900	10
32	3	F32S100	<b>F32S200</b>	F32S300		F32S500	F32S800	F32S900	10
32	4	F42S100	F42S200	F42S300	F42S400	F42S500	F42S800	F42S900	10
32	5	F52S100	F52S200	<b>F52S300</b>		F52S500	F52S800	F52S900	10



Poles	3	4	5	3	4	5
Ampere	16			32		
a and b	75	75	75	75	75	75
c and d	60	60	60	60	60	60
e	27	27	27	27	27	27
f	55	55	55	67	67	67
g	5,5	5,5	5,5	5,5	5,5	5,5
h	43	45	55	55	55	58
Weight [g/each]	116	131	138	156	173	200

## Panel-mounted socket outlet, straight

splash-proof IP44

- screwless connection technology (plug2power)

All panel-mounted socket outlets are also available with **nickel-plated** contacts. Add a "V" instead of the "S" to the article number e.g. F31VL11.

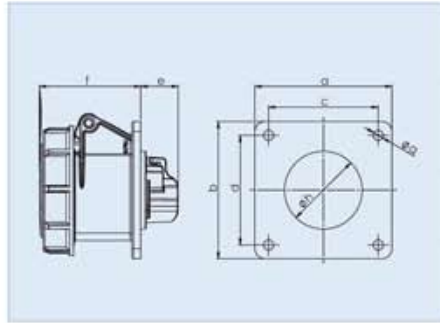


Voltage	110 V~	230 V~	400 V~	500 V~	>50-500 V~	>50-500 V~		
Frequency	50/60 Hz	50/60 Hz	50/60 Hz	50/60 Hz	100-300 Hz	301-500 Hz		
Designation	4h	3p = 6h 4p/5p = 9h	3p = 9h 4p/5p = 6h	7h	10h	2h		
Ampere	Poles	Article no.	Article no.	Article no.	Article no.	Article no.	Packing unit	
16	3	F31SL11	F31SL21	F31SL31	F31SL51	F31SL81	F31SL91	10
16	4	F41SL11	F41SL21	F41SL31	F41SL51	F41SL81	F41SL91	10
16	5	F51SL11	F51SL21	F51SL31	F51SL51	F51SL81	F51SL91	10
32	3	F32SL11	F32SL21	F32SL31	F32SL51	F32SL81	F32SL91	10
32	4	F42SL11	F42SL21	F42SL31	F42SL51	F42SL81	F42SL91	10
32	5	F52SL11	F52SL21	F52SL31	F52SL51	F52SL81	F52SL91	10



# CEE Panel-mounted socket outlets, straight

according to IEC 60309, EN 60309, VDE 0623



Poles	3	4	5	3	4	5
<b>Ampere</b>	<b>16</b>			<b>32</b>		
<b>a and b</b>	75	75	75	75	75	75
<b>c and d</b>	60	60	60	60	60	60
<b>e</b>	21	21	21	23	23	23
<b>f</b>	55	55	55	67	67	67
<b>g</b>	5,5	5,5	5,5	5,5	5,5	5,5
<b>h</b>	43	45	55	55	55	58
<b>Weight [g/each]</b>	134	153	166	200	217	250

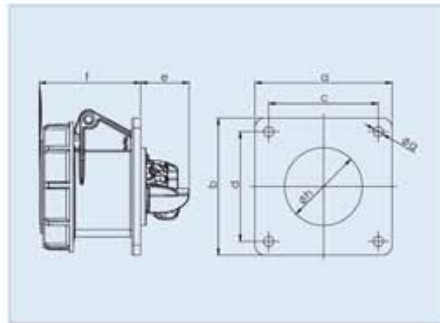
## Panel-mounted socket outlet, straight

watertight IP67

- screw terminals

All panel-mounted socket outlets are also available with **nickel-plated** contacts. Add a "V" instead of the "S" to the article number e.g. F31V150.

		110 V~	230 V~	400 V~	440 V~	500 V~	>50-500 V~	>50-500 V~	
		50/60 Hz	50/60 Hz	50/60 Hz	50/60 Hz	50/60 Hz	100-300 Hz	301-500 Hz	
		4h	3p = 6h 4p/5p = 9h	3p = 9h 4p/5p = 6h	11h	7h	10h	2h	
Ampere	Poles	Article no.	Article no.	Article no.	Article no.	Article no.	Article no.	Article no.	Packing unit
16	3	F31S150	F31S250	F31S350		F31S550	F31S850	F31S950	10
16	4	F41S150	F41S250	F41S350	F41S450	F41S550	F41S850	F41S950	10
16	5	F51S150	F51S250	F51S350		F51S550	F51S850	F51S950	10
32	3	F32S150	F32S250	F32S350		F32S550	F32S850	F32S950	10
32	4	F42S150	F42S250	F42S350	F42S450	F42S550	F42S850	F42S950	10
32	5	F52S150	F52S250	F52S350		F52S550	F52S850	F52S950	10



Poles	3	4	5	3	4	5
<b>Ampere</b>	<b>16</b>			<b>32</b>		
<b>a and b</b>	75	75	75	75	75	75
<b>c and d</b>	60	60	60	60	60	60
<b>e</b>	27	27	27	27	27	27
<b>f</b>	55	55	55	67	67	67
<b>g</b>	5,5	5,5	5,5	5,5	5,5	5,5
<b>h</b>	43	45	55	55	55	58
<b>Weight [g/each]</b>	133	152	163	188	204	233

## Panel-mounted socket outlet, straight

watertight IP67

- screwless connection technology (plug2power)

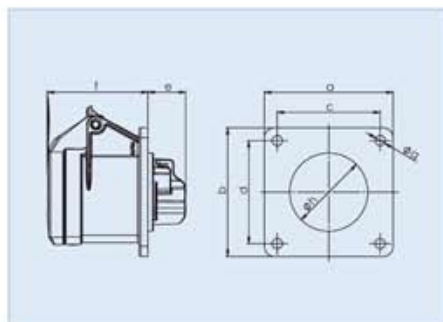
All panel-mounted socket outlets are also available with **nickel-plated** contacts. Add a "V" instead of the "S" to the article number e.g. F31V16.



		110 V~	230 V~	400 V~	500 V~	>50-500 V~	>50-500 V~	
		50/60 Hz	50/60 Hz	50/60 Hz	50/60 Hz	100-300 Hz	301-500 Hz	
		4h	3p = 6h 4p/5p = 9h	3p = 9h 4p/5p = 6h	7h	10h	2h	
Ampere	Poles	Article no.	Article no.	Article no.	Article no.	Article no.	Article no.	Packing unit
16	3	F31SL16	F31SL26	F31SL36	F31SL56	F31SL86	F31SL96	10
16	4	F41SL16	F41SL26	F41SL36	F41SL56	F41SL86	F41SL96	10
16	5	F51SL16	F51SL26	F51SL36	F51SL56	F51SL86	F51SL96	10
32	3	F32SL16	F32SL26	F32SL36	F32SL56	F32SL86	F32SL96	10
32	4	F42SL16	F42SL26	F42SL36	F42SL56	F42SL86	F42SL96	10
32	5	F52SL16	F52SL26	F52SL36	F52SL56	F52SL86	F52SL96	10

# CEE Panel-mounted socket outlets, straight

according to IEC 60309, EN 60309, VDE 0623



Poles	3	4	5	3	4	5
<b>Ampere</b>	16			32		
<b>a and b</b>	70	70	70	70	70	70
<b>c and d</b>	56	56	56	56	56	56
<b>e</b>	21	21	21	23	23	23
<b>f</b>	55	55	55	67	67	67
<b>g</b>	5,5	5,5	5,5	5,5	5,5	5,5
<b>h</b>	43	45	55	55	55	58
<b>Weight [g/each]</b>	113	128	150	164	181	213

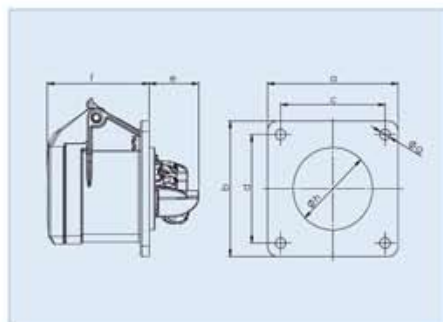
## Panel-mounted socket outlet, straight

splash-proof IP44

- screw terminals

All panel-mounted socket outlets are also available with **nickel-plated** contacts. Add a "V" instead of the "S" to the article number e.g. F31V101.

		110 V~	230 V~	400 V~	440 V~	500 V~	>50-500 V~	>50-500 V~	
		50/60 Hz	50/60 Hz	50/60 Hz	50/60 Hz	50/60 Hz	100-300 Hz	301-500 Hz	
		4h	3p = 6h 4p/5p = 9h	3p = 9h 4p/5p = 6h	11h	7h	10h	2h	
Ampere	Poles	Article no.	Article no.	Article no.	Article no.	Article no.	Article no.	Article no.	Packing unit
16	3	F31S101	F31S201	F31S301		F31S501	F31S801	F31S901	10
16	4	F41S101	F41S201	F41S301	F41S401	F41S501	F41S801	F41S901	10
16	5	F51S101	F51S201	F51S301		F51S501	F51S801	F51S901	10
32	3	F32S101	F32S201	F32S301		F32S501	F32S801	F32S901	10
32	4	F42S101	F42S201	F42S301	F42S401	F42S501	F42S801	F42S901	10
32	5	F52S101	F52S201	F52S301		F52S501	F52S801	F52S901	10



Poles	3	4	5	3	4	5
<b>Ampere</b>	16			32		
<b>a and b</b>	70	70	70	70	70	70
<b>c and d</b>	56	56	56	56	56	56
<b>e</b>	27	27	27	27	27	27
<b>f</b>	55	55	55	67	67	67
<b>g</b>	5,5	5,5	5,5	5,5	5,5	5,5
<b>h</b>	43	45	55	55	55	58
<b>Weight [g/each]</b>	112	127	144	152	169	196

## Panel-mounted socket outlet, straight

splash-proof IP44

- screwless connection technology (plug2power)

All panel-mounted socket outlets are also available with **nickel-plated** contacts. Add a "V" instead of the "S" to the article number e.g. F31VL10.



		110 V~	230 V~	400 V~	500 V~	>50-500 V~	>50-500 V~	
		50/60 Hz	50/60 Hz	50/60 Hz	50/60 Hz	100-300 Hz	301-500 Hz	
		4h	3p = 6h 4p/5p = 9h	3p = 9h 4p/5p = 6h	7h	10h	2h	
Ampere	Poles	Article no.	Article no.	Article no.	Article no.	Article no.	Article no.	Packing unit
16	3	F31SL10	F31SL20	F31SL30	F31SL50	F31SL80	F31SL90	10
16	4	F41SL10	F41SL20	F41SL30	F41SL50	F41SL80	F41SL90	10
16	5	F51SL10	F51SL20	F51SL30	F51SL50	F51SL80	F51SL90	10
32	3	F32SL10	F32SL20	F32SL30	F32SL50	F32SL80	F32SL90	10
32	4	F42SL10	F42SL20	F42SL30	F42SL50	F42SL80	F42SL90	10
32	5	F52SL10	F52SL20	F52SL30	F52SL50	F52SL80	F52SL90	10



# CEE Panel-mounted socket outlets, straight

according to IEC 60309, EN 60309, VDE 0623



	<b>Poles</b>	<b>3</b>	<b>4</b>
	<b>Ampere</b>	<b>16</b>	
	<b>a and b</b>	60	60
	<b>c and d</b>	47	47
	<b>e</b>	21	21
	<b>f</b>	55	55
	<b>g</b>	5,5	5,5
	<b>h</b>	43	45
	<b>Weight [g/each]</b>	105	120

## Panel-mounted socket outlet, straight

splash-proof IP44

- screw terminals

All panel-mounted socket outlets are also available with **nickel-plated** contacts. Add a "V" instead of the "S" to the article number e.g. F31V102.

		110 V~	230 V~	400 V~	440 V~	500 V~	>50-500 V~	>50-500 V~	
		50/60 Hz	50/60 Hz	50/60 Hz	50/60 Hz	50/60 Hz	100-300 Hz	301-500 Hz	
		4h	3p = 6h 4p/5p = 9h	3p = 9h 4p/5p = 6h	11h	7h	10h	2h	
Ampere	Poles	Article no.	Article no.	Article no.	Article no.	Article no.	Article no.	Article no.	Packing unit
16	3	F31S102	<b>F31S202</b>	F31S302		F31S502	F31S802	F31S902	10
16	4	F41S102	F41S202	F41S302	F41S402	F41S502	F41S802	F41S902	10



	<b>Poles</b>	<b>3</b>	<b>4</b>
	<b>Ampere</b>	<b>16</b>	
	<b>a and b</b>	60	60
	<b>c and d</b>	47	47
	<b>e</b>	21	21
	<b>f</b>	55	55
	<b>g</b>	5,5	5,5
	<b>h</b>	43	45
	<b>Weight [g/each]</b>	105	120

## Panel-mounted socket outlet, straight

splash-proof IP44

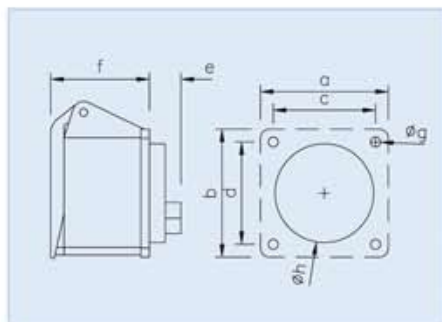
- screwless connection technology (plug2power)

All panel-mounted socket outlets are also available with **nickel-plated** contacts. Add a "V" instead of the "S" to the article number e.g. F31VL12.

		110 V~	230 V~	400 V~	500 V~	>50-500 V~	>50-500 V~	
		50/60 Hz	50/60 Hz	50/60 Hz	50/60 Hz	100-300 Hz	301-500 Hz	
		4h	3p = 6h 4p/5p = 9h	3p = 9h 4p/5p = 6h	7h	10h	2h	
Ampere	Poles	Article no.	Article no.	Article no.	Article no.	Article no.	Article no.	Packing unit
16	3	F31SL12	F31SL22	F31SL32	F31SL52	F31SL82	F31SL92	10
16	4	F41SL12	F41SL22	F41SL32	F41SL52	F41SL82	F41SL92	10

# CEE Panel-mounted socket outlets, straight

according to IEC 60309, EN 60309, VDE 0623



Poles	5
Ampere	16
Flange a	65
Flange b	70
Hole spacing c	52
Hole spacing d	52
e	28
f	48
g	5,5
h	56
Weight [g/each]	148

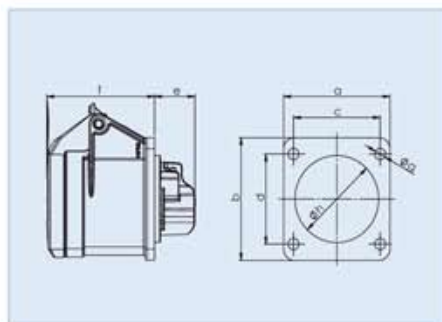
## Panel-mounted socket outlet, straight

splash-proof IP44

- screw terminals
- especially suitable for mounting on cable rollers

All panel-mounted socket outlets are also available with **nickel-plated** contacts. Add a "V" instead of the "S" to the article number e.g. F51V103.

Voltage	110 V~	230 V~	400 V~	500 V~	>50-500 V~	>50-500 V~		
Frequency	50/60 Hz	50/60 Hz	50/60 Hz	50/60 Hz	100-300 Hz	301-500 Hz		
Designation	4h	3p = 6h 4p/5p = 9h	3p = 9h 4p/5p = 6h	7h	10h	2h		
Ampere	Poles	Article no.	Article no.	Article no.	Article no.	Article no.	Packing unit	
16	5	F51S103	F51S203	<b>F51S303</b>	F51S503	F51S803	F51S903	10



Poles	3 <sup>a</sup>	3 <sup>b</sup>
Ampere	16	
Flange a	54	55
Flange b	60	55
c and d	44	44
e	21	28
f	55	46
g	5,5	4,5
h	43	43
Weight [g/each]	103	120

## Panel-mounted socket outlet, straight

splash-proof IP44

- screw terminals

All panel-mounted socket outlets are also available with **nickel-plated** contacts. Add a "V" instead of the "S" to the article number e.g. F31V104.

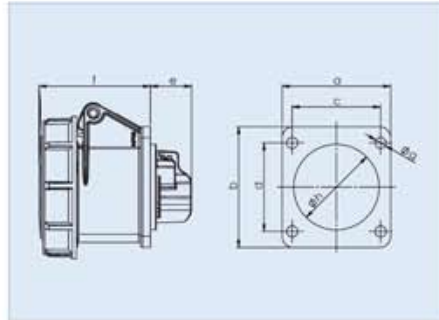
Voltage	110 V~	230 V~	400 V~	500 V~	>50-500 V~	>50-500 V~		
Frequency	50/60 Hz	50/60 Hz	50/60 Hz	50/60 Hz	100-300 Hz	301-500 Hz		
Designation	4h	3p = 6h 4p/5p = 9h	3p = 9h 4p/5p = 6h	7h	10h	2h		
Ampere	Poles	Article no.	Article no.	Article no.	Article no.	Article no.	Packing unit	
16	3 <sup>a</sup>	F31S104	F31S204	F31S304	F31S504	F31S804	F31S904	10
16	3 <sup>b</sup>	F31S103	F31S203	<b>F31S303</b>	F31S503	F31S803	F31S903	10

<sup>a</sup> with flange 60 x 54 mm  
<sup>b</sup> with flange 55 x 55 mm



# CEE Panel-mounted socket outlets, straight

according to IEC 60309, EN 60309, VDE 0623



Poles	3 <sup>a</sup>	3 <sup>b</sup>	3 <sup>c</sup>
Ampere		16	
Flange a	54	60	70
Flange b	60	60	70
Hole spacing c	44	47	56
Hole spacing d	44	47	56
e	21	21	21
f	55	55	55
g	5,5	5,5	5,5
h	43	43	43
Weight [g/each]	105	107	115

## Panel-mounted socket outlet, straight

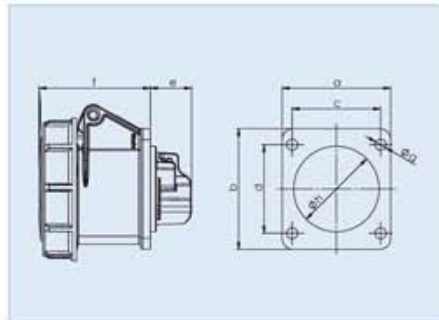
watertight IP67

- screw terminals

All panel-mounted socket outlets are also available with **nickel-plated** contacts. Add a "V" instead of the "S" to the article number e.g. F31V154.

- <sup>a</sup> with flange 60 x 54 mm
- <sup>b</sup> with flange 60 x 60 mm
- <sup>c</sup> with flange 70 x 70 mm

Voltage		110 V~	230 V~	400 V~	500 V~	>50-500 V~	>50-500 V~	Packing unit
Frequency		50/60 Hz	50/60 Hz	50/60 Hz	50/60 Hz	100-300 Hz	301-500 Hz	
Designation		4h	3p = 6h 4p/5p = 9h	3p = 9h 4p/5p = 6h	7h	10h	2h	
Ampere	Poles	Article no.	Article no.	Article no.	Article no.	Article no.	Article no.	
16	3 <sup>a</sup>	F31S154	F31S254	F31S354	F31S554	F31S854	F31S954	10
16	3 <sup>b</sup>	F31S152	F31S252	F31S352	F31S552	F31S852	F31S952	10
16	3 <sup>c</sup>	F31S151	F31S251	F31S351	F31S551	F31S851	F31S951	10



Poles	3 <sup>a</sup>	3 <sup>b</sup>	3 <sup>c</sup>
Ampere		16	
Flange a	54	60	70
Flange b	60	60	70
Hole spacing c	44	47	56
Hole spacing d	44	47	56
e	21	21	21
f	55	55	55
g	5,5	5,5	5,5
h	43	43	43
Weight [g/each]	105	107	115

## Panel-mounted socket outlet, straight

watertight IP67

- screwless connection technology (plug2power)

All panel-mounted socket outlets are also available with **nickel-plated** contacts. Add a "V" instead of the "S" to the article number e.g. F31VL15.

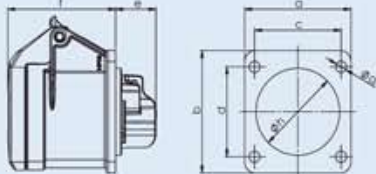
- <sup>a</sup> with flange 60 x 54 mm
- <sup>b</sup> with flange 60 x 60 mm
- <sup>c</sup> with flange 70 x 70 mm

Voltage		110 V~	230 V~	400 V~	500 V~	>50-500 V~	>50-500 V~	Packing unit
Frequency		50/60 Hz	50/60 Hz	50/60 Hz	50/60 Hz	100-300 Hz	301-500 Hz	
Designation		4h	3p = 6h 4p/5p = 9h	3p = 9h 4p/5p = 6h	7h	10h	2h	
Ampere	Poles	Article no.	Article no.	Article no.	Article no.	Article no.	Article no.	
16	3 <sup>a</sup>	F31SL15	F31SL25	F31SL35	F31SL55	F31SL85	F31SL95	10
16	3 <sup>b</sup>	F31SL17	F31SL27	F31SL37	F31SL57	F31SL87	F31SL97	10
16	3 <sup>c</sup>	F31SL19	F31SL29	F31SL39	F31SL59	F31SL89	F31SL99	10

# CEE Panel-mounted socket outlets, straight

according to IEC 60309, EN 60309, VDE 0623



	<b>Poles</b>	<b>3<sup>a</sup></b>	<b>3<sup>b</sup></b>
	<b>Ampere</b>	<b>16</b>	
	<b>Flange a</b>	54	55
	<b>Flange b</b>	60	55
	<b>c and d</b>	44	44
	<b>e</b>	21	28
	<b>f</b>	55	46
	<b>g</b>	5,5	4,5
	<b>h</b>	43	43
	<b>Weight [g/each]</b>	103	120

## Panel-mounted socket outlet, straight

splash-proof IP44

- screwless connection technology (plug2power)

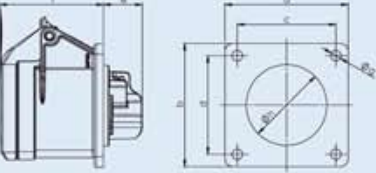
All panel-mounted socket outlets are also available with **nickel-plated** contacts. Add a "V" instead of the "S" to the article number e.g. F31VL14.

- <sup>a</sup> with flange 60 x 54 mm
- <sup>b</sup> with flange 55 x 55 mm



Voltage	110 V~	230 V~	400 V~	500 V~	>50-500 V~	>50-500 V~	
Frequency	50/60 Hz	50/60 Hz	50/60 Hz	50/60 Hz	100-300 Hz	301-500 Hz	
Designation	4h	3p = 6h 4p/5p = 9h	3p = 9h 4p/5p = 6h	7h	10h	2h	
Ampere	16	16	16	16	16	16	Packing unit
Poles	3 <sup>a</sup>	3 <sup>b</sup>	3 <sup>a</sup>	3 <sup>b</sup>	3 <sup>a</sup>	3 <sup>b</sup>	
Article no.	F31SL14	F31SL24	F31SL34	F31SL54	F31SL84	F31SL94	10
Article no.	F31SL1B	F31SL2B	F31SL3B	F31SL5B	F31SL8B	F31SL9B	10



	<b>Poles</b>	<b>3</b>	<b>4</b>
	<b>Ampere</b>	<b>16</b>	
	<b>a and b</b>	65	65
	<b>c and d</b>	52	52
	<b>e</b>	21	21
	<b>f</b>	55	55
	<b>g</b>	5,5	5,5
	<b>h</b>	43	45
	<b>Weight [g/each]</b>	109	124

## Panel-mounted socket outlet, straight

splash-proof IP44

- screw terminals

All panel-mounted socket outlets are also available with **nickel-plated** contacts. Add a "V" instead of the "S" to the article number e.g. F31V105.

Voltage	110 V~	230 V~	400 V~	440 V~	500 V~	>50-500 V~	>50-500 V~	
Frequency	50/60 Hz	50/60 Hz	50/60 Hz	50/60 Hz	50/60 Hz	100-300 Hz	301-500 Hz	
Designation	4h	3p = 6h 4p/5p = 9h	3p = 9h 4p/5p = 6h	11h	7h	10h	2h	
Ampere	16	16	16	16	16	16	16	Packing unit
Poles	3	3	3	3	3	3	3	
Article no.	F31S105	F31S205	F31S305	F41S405	F31S505	F31S805	F31S905	10
Article no.	F41S105	F41S205	F41S305	F41S405	F41S505	F41S805	F41S905	10



# CEE Panel-mounted socket outlets, straight

according to IEC 60309, EN 60309, VDE 0623



	<b>Poles</b>	<b>3</b>
	<b>Ampere</b>	<b>16</b>
	<b>a and b</b>	65
	<b>c and d</b>	52
	<b>e</b>	21
	<b>f</b>	55
	<b>g</b>	5,5
	<b>h</b>	43
	<b>Weight [g/each]</b>	109

## Panel-mounted socket outlet, straight

splash-proof IP44

- screwless connection technology (plug2power)

All panel-mounted socket outlets are also available with **nickel-plated** contacts. Add a "V" instead of the "S" to the article number e.g. F31VL1K.

Voltage	110 V~	230 V~	400 V~	500 V~	>50-500 V~	>50-500 V~	
Frequency	50/60 Hz	50/60 Hz	50/60 Hz	50/60 Hz	100-300 Hz	301-500 Hz	
Designation	4h	3p = 6h 4p/5p = 9h	3p = 9h 4p/5p = 6h	7h	10h	2h	
Ampere	16						
Poles	3						
Article no.	F31SL1K	F31SL2K	F31SL3K	F31SL5K	F31SL8K	F31SL9K	
Packing unit							<b>10</b>



	<b>Poles</b>	<b>3<sup>a</sup></b>	<b>4<sup>a</sup></b>	<b>5<sup>a</sup></b>	<b>3<sup>b</sup></b>	<b>4<sup>b</sup></b>	<b>5<sup>b</sup></b>
	<b>Ampere</b>	<b>63</b>			<b>63</b>		
	<b>Flange a</b>	100	100	100	100	100	100
	<b>Flange b</b>	100	100	100	107	107	107
	<b>Hole spacing c</b>	80	80	80	77	77	77
	<b>Hole spacing d</b>	80	80	80	85	85	85
	<b>e</b>	50	50	50	50	50	50
	<b>f</b>	80	80	80	80	80	80
	<b>g</b>	114	114	114	114	114	114
	<b>h</b>	85	85	85	85	85	85
	<b>i</b>	7	7	7	7	7	7
	<b>Weight [g/each]</b>	490	522	668	496	528	674

## Panel-mounted socket outlet, straight

watertight IP67

- HighPower version
- with pilot contact
- screw terminals

<sup>a</sup> with flange 100 x 100 mm

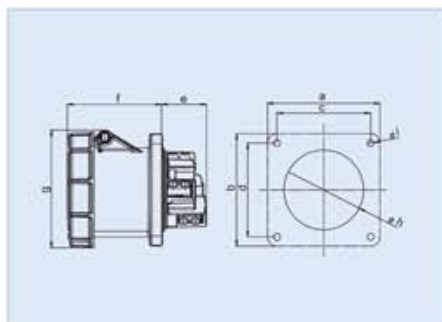
<sup>b</sup> with flange 107 x 100 mm

splash-proof IP44 upon request

Voltage	110 V~	230 V~	400 V~	440 V~	500 V~	>50-500 V~	>50-500 V~		
Frequency	50/60 Hz	50/60 Hz	50/60 Hz	50/60 Hz	50/60 Hz	100-300 Hz	357-500 Hz		
Designation	4h	3p = 6h 4p/5p = 9h	3p = 9h 4p/5p = 6h	11h	7h	10h	2h		
Ampere	63								
Poles	3 <sup>a</sup>								
Article no.	F33S157	F33S257	F33S357		F33S557	F33S857	F33S957		
Packing unit								<b>2</b>	
	63	F43S157	F43S257	F43S357	F43S457	F43S557	F43S857	F43S957	<b>2</b>
	63	F53S157	F53S257	<b>F53S357</b>		F53S557	F53S857	F53S957	<b>2</b>
	63	F33S156	F33S256	F33S356		F33S556	F33S856	F33S956	<b>2</b>
	63	F43S156	F43S256	F43S356	F43S456	F43S556	F43S856	F43S956	<b>2</b>
	63	F53S156	F53S256	<b>F53S356</b>		F53S556	F53S856	F53S956	<b>2</b>

# CEE Panel-mounted socket outlets, straight

according to IEC 60309, EN 60309, VDE 0623



Poles	3	4	5
Ampere	125		
a and b	120	120	120
c and d	100	100	100
e	48	48	48
f	101	101	101
g	126	126	126
h	90	90	90
i	8	8	8
Weight [g/each]	743	879	974

## Panel-mounted socket outlet, straight

watertight IP67

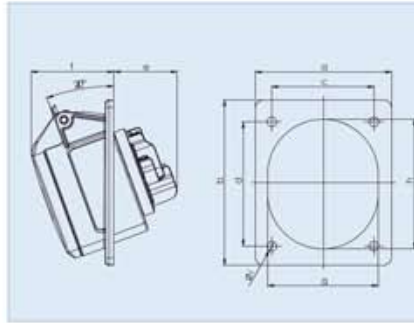
- HighPower version
- with pilot contact
- screw terminals

		110 V~	230 V~	400 V~	440 V~	500 V~	>50-500 V~	>50-500 V~	
		50/60 Hz	50/60 Hz	50/60 Hz	50/60 Hz	50/60 Hz	100-300 Hz	301-500 Hz	
		4h	3p = 6h 4p/5p = 9h	3p = 9h 4p/5p = 6h	11h	7h	10h	2h	
Ampere	Poles	Article no.	Article no.	Article no.	Article no.	Article no.	Article no.	Article no.	Packing unit
125	3	F34S157	F34S257	F34S357		F34S557	F34S857	F34S957	2
125	4	F44S157	F44S257	F44S357	F44S457	F44S557	F44S857	F44S957	2
125	5	F54S157	F54S257	F54S357		F54S557	F54S857	F54S957	2



# CEE Panel-mounted socket outlets, angled

according to IEC 60309, EN 60309, VDE 0623



<b>Poles</b>	<b>3</b>	<b>4</b>	<b>5</b>	<b>3</b>	<b>4</b>	<b>5</b>
<b>Ampere</b>	<b>16</b>			<b>32</b>		
<b>Flange a</b>	70	70	80	80	80	80
<b>Flange b</b>	85	85	97	97	97	97
<b>Hole spacing c</b>	50	50	60	60	60	60
<b>Hole spacing d</b>	65	65	73	73	73	73
<b>e</b>	38	38	39	51	51	51
<b>f</b>	47	47	48	50	50	52
<b>g</b>	51	56	65	65	65	70
<b>h</b>	61	67	76	75	75	80
<b>i</b>	5,5	5,5	5,5	5,5	5,5	5,5
<b>Weight [g/each]</b>	112	117	144	198	222	250

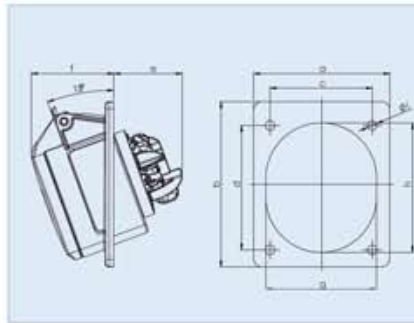
## Panel-mounted socket outlet, angled 20°

splash-proof IP44

- screw terminals

All panel-mounted socket outlets are also available with **nickel-plated** contacts. Add a "V" instead of the "S" to the article number e.g. F31V120.

		110 V~	230 V~	400 V~	440 V~	500 V~	>50-500 V~	>50-500 V~	
		50/60 Hz	50/60 Hz	50/60 Hz	50/60 Hz	50/60 Hz	100-300 Hz	301-500 Hz	
		4h	3p = 6h 4p/5p = 9h	3p = 9h 4p/5p = 6h	11h	7h	10h	2h	
Ampere	Poles	Article no.	Article no.	Article no.	Article no.	Article no.	Article no.	Article no.	Packing unit
16	3	F31S120	<b>F31S220</b>	F31S320		F31S520	F31S820	F31S920	10
16	4	F41S120	F41S220	F41S320	F41S420	F41S520	F41S820	F41S920	10
16	5	F51S120	F51S220	<b>F51S320</b>		F51S520	F51S820	F51S920	10
32	3	F32S120	F32S220	F32S320		F32S520	F32S820	F32S920	10
32	4	F42S120	F42S220	<b>F42S320</b>	F42S420	F42S520	F42S820	F42S920	10
32	5	F52S120	F52S220	<b>F52S320</b>		F52S520	F52S820	F52S920	10



<b>Poles</b>	<b>3</b>	<b>4</b>
<b>Ampere</b>	<b>16</b>	
<b>Flange a</b>	70	70
<b>Flange b</b>	85	85
<b>Hole spacing c</b>	50	50
<b>Hole spacing d</b>	65	65
<b>e</b>	41	41
<b>f</b>	47	47
<b>g</b>	51	56
<b>h</b>	61	67
<b>i</b>	5,5	5,5
<b>Weight [g/each]</b>	111	116

## Panel-mounted socket outlet, angled 15°

splash-proof IP44

- screwless connection technology (plug2power)

All panel-mounted socket outlets are also available with **nickel-plated** contacts. Add a "V" instead of the "S" to the article number e.g. F31VL13.

		110 V~	230 V~	400 V~	500 V~	>50-500 V~	>50-500 V~	
		50/60 Hz	50/60 Hz	50/60 Hz	50/60 Hz	100-300 Hz	301-500 Hz	
		4h	3p = 6h 4p/5p = 9h	3p = 9h 4p/5p = 6h	7h	10h	2h	
Ampere	Poles	Article no.	Article no.	Article no.	Article no.	Article no.	Article no.	Packing unit
16	3	F31SL13	F31SL23	F31SL33	F31SL53	F31SL83	F31SL93	10
16	4	F41SL13	F41SL23	F41SL33	F41SL53	F41SL83	F41SL93	10



# CEE Panel-mounted socket outlets, angled

according to IEC 60309, EN 60309, VDE 0623



	<b>Poles</b>	<b>3</b>	<b>4</b>
	<b>Ampere</b>	<b>16</b>	
	<b>Flange a</b>	80	80
	<b>Flange b</b>	97	97
	<b>Hole spacing c</b>	60	60
	<b>Hole spacing d</b>	73	73
	<b>e</b>	30	33
	<b>f</b>	49	49
	<b>g</b>	70	70
	<b>h</b>	77	77
	<b>i</b>	5,5	5,5
	<b>Weight [g/each]</b>	116	136

## Panel-mounted socket outlet, angled 15°

splash-proof IP44

- screw terminals
- in three parts

All panel-mounted socket outlets are also available with **nickel-plated** contacts. Add a "V" instead of the "S" to the article number e.g. F31V131.

		110 V~	230 V~	400 V~	440 V~	500 V~	>50-500 V~	>50-500 V~	
		50/60 Hz	50/60 Hz	50/60 Hz	50/60 Hz	50/60 Hz	100-300 Hz	301-500 Hz	
		4h	3p = 6h 4p/5p = 9h	3p = 9h 4p/5p = 6h	11h	7h	10h	2h	
Ampere	Poles	Article no.	Article no.	Article no.	Article no.	Article no.	Article no.	Article no.	Packing unit
16	3	F31S131	F31S231	F31S331		F31S531	F31S831	F31S931	10
16	4	F41S131	F41S231	F41S331	F41S431	F41S531	F41S831	F41S931	10



	<b>Poles</b>	<b>3</b>	<b>4</b>	<b>5</b>	<b>3</b>	<b>4</b>	<b>5</b>
	<b>Ampere</b>	<b>16</b>			<b>32</b>		
	<b>Flange a</b>	80	80	80	80	80	80
	<b>Flange b</b>	97	97	97	97	97	97
	<b>Hole spacing c</b>	60	60	60	60	60	60
	<b>Hole spacing d</b>	73	73	73	73	73	73
	<b>e</b>	30	33	41	48	48	48
	<b>f</b>	49	49	48	50	50	52
	<b>g</b>	70	70	65	65	65	70
	<b>h</b>	77	77	76	75	75	80
	<b>i</b>	5,5	5,5	5,5	5,5	5,5	5,5
	<b>Weight [g/each]</b>	116	136	138	186	210	233

## Panel-mounted socket outlet, angled 15°

splash-proof IP44

- screwless connection technology (plug2power)
- in three parts

All panel-mounted socket outlets are also available with **nickel-plated** contacts. Add a "V" instead of the "S" to the article number e.g. F31VL1C.

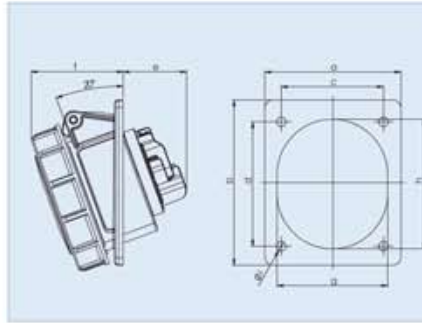


		110 V~	230 V~	400 V~	500 V~	>50-500 V~	>50-500 V~	
		50/60 Hz	50/60 Hz	50/60 Hz	50/60 Hz	100-300 Hz	301-500 Hz	
		4h	3p = 6h 4p/5p = 9h	3p = 9h 4p/5p = 6h	7h	10h	2h	
Ampere	Poles	Article no.	Article no.	Article no.	Article no.	Article no.	Article no.	Packing unit
16	3	F31SL1C	F31SL2C	F31SL3C	F31SL5C	F31SL8C	F31SL9C	10
16	4	F41SL1C	F41SL2C	F41SL3C	F41SL5C	F41SL8C	F41SL9C	10
16	5	F51SL1C	F51SL2C	F51SL3C	F51SL5C	F51SL8C	F51SL9C	10
32	3	F32SL1C	F32SL2C	F32SL3C	F32SL5C	F32SL8C	F32SL9C	10
32	4	F42SL1C	F42SL2C	F42SL3C	F42SL5C	F42SL8C	F42SL9C	10
32	5	F52SL1C	F52SL2C	F52SL3C	F52SL5C	F52SL8C	F52SL9C	10



# CEE Panel-mounted socket outlets, angled

according to IEC 60309, EN 60309, VDE 0623



Poles	3	4	5	3	4	5
Ampere	16			32		
Flange a	70	70	80	80	80	80
Flange b	85	85	97	97	97	97
Hole spacing c	50	50	60	60	60	60
Hole spacing d	65	65	73	73	73	73
e	38	38	39	51	51	51
f	49	50	54	60	60	61
g	51	56	65	65	65	70
h	61	67	76	75	75	80
i	5,5	5,5	5,5	5,5	5,5	5,5
Weight [g/each]	124	141	168	224	248	278

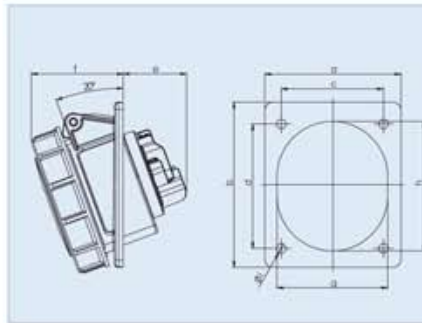
## Panel-mounted socket outlet, angled 20°

watertight IP67

- screw terminals

All panel-mounted socket outlets are also available with **nickel-plated** contacts. Add a "V" instead of the "S" to the article number e.g. F31V170.

Voltage		110 V~	230 V~	400 V~	440 V~	500 V~	>50-500 V~	>50-500 V~	Packing unit
Frequency		50/60 Hz	50/60 Hz	50/60 Hz	50/60 Hz	50/60 Hz	100-300 Hz	301-500 Hz	
Designation		4h	3p = 6h 4p/5p = 9h	3p = 9h 4p/5p = 6h	11h	7h	10h	2h	
Ampere	Poles	Article no.	Article no.	Article no.	Article no.	Article no.	Article no.	Article no.	Packing unit
16	3	F31S170	F31S270	F31S370		F31S570	F31S870	F31S970	10
16	4	F41S170	F41S270	F41S370	F41S470	F41S570	F41S870	F41S970	10
16	5	F51S170	F51S270	F51S370		F51S570	F51S870	F51S970	10
32	3	F32S170	F32S270	F32S370		F32S570	F32S870	F32S970	10
32	4	F42S170	F42S270	F42S370	F42S470	F42S570	F42S870	F42S970	10
32	5	F52S170	F52S270	F52S370		F52S570	F52S870	F52S970	10



Poles	3	4
Ampere	16	
Flange a	70	70
Flange b	85	85
Hole spacing c	50	50
Hole spacing d	65	65
e	38	38
f	49	50
g	51	56
h	61	67
i	5,5	5,5
Weight [g/each]	124	141

## Panel-mounted socket outlet, angled 20°

watertight IP67

- screwless connection technology (plug2power)

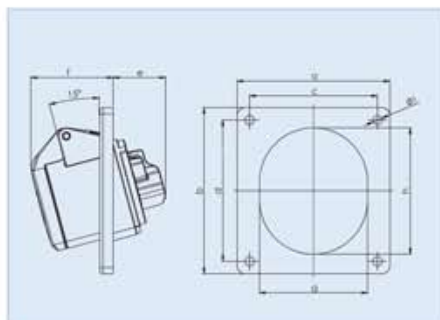
All panel-mounted socket outlets are also available with **nickel-plated** contacts. Add a "V" instead of the "S" to the article number e.g. F31V18.

Voltage		110 V~	230 V~	400 V~	500 V~	>50-500 V~	>50-500 V~	Packing unit
Frequency		50/60 Hz	50/60 Hz	50/60 Hz	50/60 Hz	100-300 Hz	301-500 Hz	
Designation		4h	3p = 6h 4p/5p = 9h	3p = 9h 4p/5p = 6h	7h	10h	2h	
Ampere	Poles	Article no.	Article no.	Article no.	Article no.	Article no.	Article no.	Packing unit
16	3	F31SL18	F31SL28	F31SL38	F31SL58	F31SL88	F31SL98	10
16	4	F41SL18	F41SL28	F41SL38	F41SL58	F41SL88	F41SL98	10



# CEE Panel-mounted socket outlets, angled

according to IEC 60309, EN 60309, VDE 0623



Poles	3	4	3	4
Ampere	16		32	
Flange a	92	92	92	92
Flange b	100	100	100	100
Hole spacing c	77	77	77	77
Hole spacing d	85	85	85	85
e	30	33	38	38
f	49	49	59	59
g	70	70	77	77
h	77	77	88	88
i	5,5	5,5	5,5	5,5
Weight [g/each]	121	141	195	219

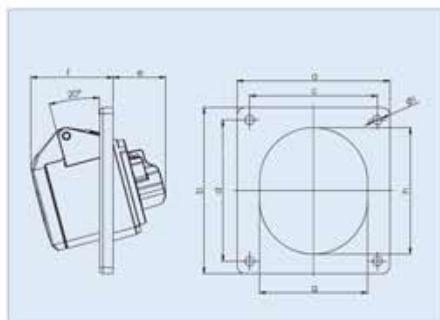
## Panel-mounted socket outlet, angled 15°

splash-proof IP44

- screw terminals
- in three parts

All panel-mounted socket outlets are also available with **nickel-plated** contacts. Add a "V" instead of the "S" to the article number e.g. F31V133.

Voltage	110 V~	230 V~	400 V~	440 V~	500 V~	>50-500 V~	>50-500 V~		
Frequency	50/60 Hz	50/60 Hz	50/60 Hz	50/60 Hz	50/60 Hz	100-300 Hz	301-500 Hz		
Designation	4h	3p = 6h 4p/5p = 9h	3p = 9h 4p/5p = 6h	11h	7h	10h	2h		
Ampere	Poles	Article no.	Article no.	Article no.	Article no.	Article no.	Article no.	Packing unit	
16	3	F31S133	F31S233	F31S333		F31S533	F31S833	F31S933	10
16	4	F41S133	F41S233	F41S333	F41S433	F41S533	F41S833	F41S933	10
32	3	F32S133	F32S233	F32S333		F32S533	F32S833	F32S933	10
32	4	F42S133	F42S233	F42S333	F42S433	F42S533	F42S833	F42S933	10



Poles	3	4	5	3	4	5
Ampere	16		32			
Flange a	92	92	92	92	92	92
Flange b	100	100	100	100	100	100
Hole spacing c	77	77	77	77	77	77
Hole spacing d	85	85	85	85	85	85
e	30	33	38	38	38	45
f	49	49	49	59	59	59
g	70	70	70	77	77	77
h	77	77	77	88	88	88
i	5,5	5,5	5,5	5,5	5,5	5,5
Weight [g/each]	121	141	169	195	219	230

## Panel-mounted socket outlet, angled 20°

splash-proof IP44

- screwless connection technology (plug2power)
- in three parts

All panel-mounted socket outlets are also available with **nickel-plated** contacts. Add a "V" instead of the "S" to the article number e.g. F31VL1F.



Voltage	110 V~	230 V~	400 V~	500 V~	>50-500 V~	>50-500 V~		
Frequency	50/60 Hz	50/60 Hz	50/60 Hz	50/60 Hz	100-300 Hz	301-500 Hz		
Designation	4h	3p = 6h 4p/5p = 9h	3p = 9h 4p/5p = 6h	7h	10h	2h		
Ampere	Poles	Article no.	Article no.	Article no.	Article no.	Article no.	Packing unit	
16	3	F31SL1F	F31SL2F	F31SL3F	F31SL5F	F31SL8F	F31SL9F	10
16	4	F41SL1F	F41SL2F	F41SL3F	F41SL5F	F41SL8F	F41SL9F	10
16	5	F51SL1F	F51SL2F	F51SL3F	F51SL5F	F51SL8F	F51SL9F	10
32	3	F32SL1F	F32SL2F	F32SL3F	F32SL5F	F32SL8F	F32SL9F	10
32	4	F42SL1F	F42SL2F	F42SL3F	F42SL5F	F42SL8F	F42SL9F	10
32	5	F52SL1F	F52SL2F	F52SL3F	F52SL5F	F52SL8F	F52SL9F	10



# CEE Panel-mounted socket outlets, angled

according to IEC 60309, EN 60309, VDE 0623

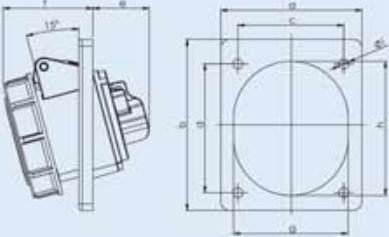


## Panel-mounted socket outlet, angled 15°

watertight IP67

- screw terminals
- in three parts

All panel-mounted socket outlets are also available with **nickel-plated** contacts. Add a "V" instead of the "S" to the article number e.g. F31V181.

	Poles	3	4
	Ampere	16	
	Flange a	80	80
	Flange b	97	97
	Hole spacing c	60	60
	Hole spacing d	73	73
	e	30	33
	f	54	54
	g	70	70
	h	77	77
	i	5,5	5,5
	Weight [g/each]	157	174

Voltage	110 V~	230 V~	400 V~	440 V~	500 V~	>50-500 V~	>50-500 V~		
Frequency	50/60 Hz	50/60 Hz	50/60 Hz	50/60 Hz	50/60 Hz	100-300 Hz	301-500 Hz		
Designation	4h	3p = 6h 4p/5p = 9h	3p = 9h 4p/5p = 6h	11h	7h	10h	2h		
Ampere	Poles	Article no.	Article no.	Article no.	Article no.	Article no.	Article no.	Packing unit	
16	3	F31S181	F31S281	F31S381		F31S581	F31S881	F31S981	10
16	4	F41S181	F41S281	F41S381	F41S481	F41S581	F41S881	F41S981	10

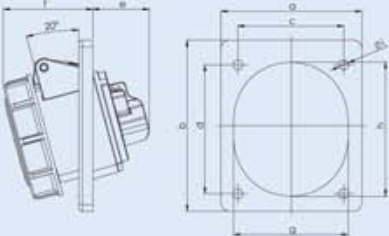


## Panel-mounted socket outlet, angled 20°

watertight IP67

- screwless connection technology (plug2power)
- in three parts

All panel-mounted socket outlets are also available with **nickel-plated** contacts. Add a "V" instead of the "S" to the article number e.g. F31VL1D.

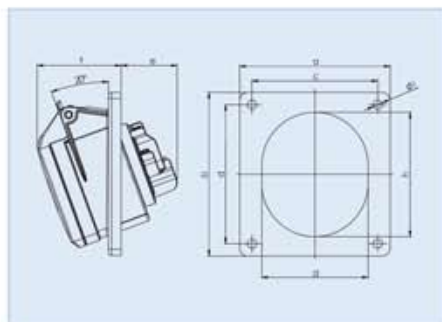
	Poles	3	4	5	3	4	5
	Ampere	16			32		
	Flange a	80	80	80	80	80	80
	Flange b	97	97	97	97	97	97
	Hole spacing c	60	60	60	60	60	60
	Hole spacing d	73	73	73	73	73	73
	e	30	33	39	51	51	51
	f	54	54	54	60	60	61
	g	70	70	65	65	65	70
	h	77	77	76	75	75	80
	i	5,5	5,5	5,5	5,5	5,5	5,5
	Weight [g/each]	157	174	168	224	248	278

Voltage	110 V~	230 V~	400 V~	500 V~	>50-500 V~	>50-500 V~		
Frequency	50/60 Hz	50/60 Hz	50/60 Hz	50/60 Hz	100-300 Hz	301-500 Hz		
Designation	4h	3p = 6h 4p/5p = 9h	3p = 9h 4p/5p = 6h	7h	10h	2h		
Ampere	Poles	Article no.	Article no.	Article no.	Article no.	Article no.	Packing unit	
16	3	F31SL1D	F31SL2D	F31SL3D	F31SL5D	F31SL8D	F31SL9D	10
16	4	F41SL1D	F41SL2D	F41SL3D	F41SL5D	F41SL8D	F41SL9D	10
16	5	F51SL1D	F51SL2D	F51SL3D	F51SL5D	F51SL8D	F51SL9D	10
32	3	F32SL1D	F32SL2D	F32SL3D	F32SL5D	F32SL8D	F32SL9D	10
32	4	F42SL1D	F42SL2D	F42SL3D	F42SL5D	F42SL8D	F42SL9D	10
32	5	F52SL1D	F52SL2D	F52SL3D	F52SL5D	F52SL8D	F52SL9D	10



# CEE Panel-mounted socket outlets, angled

according to IEC 60309, EN 60309, VDE 0623



Poles	5	5
Ampere	16	32
Flange a	92	92
Flange b	100	100
Hole spacing c	77	77
Hole spacing d	85	85
e	36	41
f	49	59
g	70	77
h	77	88
i	5,5	5,5
Weight [g/each]	175	247

## Panel-mounted socket outlet, angled 20°

splash-proof IP44

- screw terminals

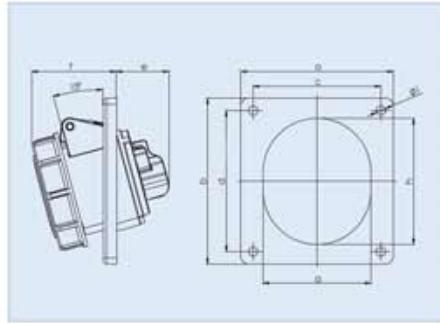
All panel-mounted socket outlets are also available with **nickel-plated** contacts. Add a "V" instead of the "S" to the article number e.g. F51V133.

		110 V~	230 V~	400 V~	500 V~	>50-500 V~	>50-500 V~	
		50/60 Hz	50/60 Hz	50/60 Hz	50/60 Hz	100-300 Hz	301-500 Hz	
		4h	3p = 6h 4p/5p = 9h	3p = 9h 4p/5p = 6h	7h	10h	2h	
Ampere	Poles	Article no.	Article no.	Article no.	Article no.	Article no.	Article no.	Packing unit
16	5	F51S133	F51S233	<b>F51S333</b>	F51S533	F51S833	F51S933	10
32	5	F52S133	F52S233	<b>F52S333</b>	F52S533	F52S833	F52S933	10



# CEE Panel-mounted socket outlets, angled

according to IEC 60309, EN 60309, VDE 0623



Poles	3	4	5	3	4	5
Ampere	16			32		
Flange a	92	92	92	92	92	92
Flange b	100	100	100	100	100	100
Hole spacing c	77	77	77	77	77	77
Hole spacing d	85	85	85	85	85	85
e	30	33	36	38	38	41
f	54	54	54	65	65	65
g	70	70	70	77	77	77
h	77	77	77	88	88	88
i	5,5	5,5	5,5	5,5	5,5	5,5
Weight [g/each]	152	172	206	226	250	278

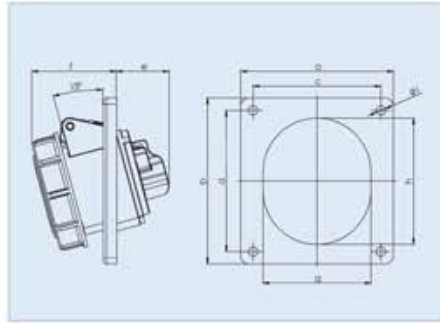
## Panel-mounted socket outlet, angled 15°

watertight IP67

- screw terminals
- in three parts

All panel-mounted socket outlets are also available with **nickel-plated** contacts. Add a "V" instead of the "S" to the article number e.g. F31V183.

Voltage		110 V~	230 V~	400 V~	440 V~	500 V~	>50-500 V~	>50-500 V~	
Frequency		50/60 Hz	50/60 Hz	50/60 Hz	50/60 Hz	50/60 Hz	100-300 Hz	301-500 Hz	
Designation		4h	3p = 6h 4p/5p = 9h	3p = 9h 4p/5p = 6h	11h	7h	10h	2h	
Ampere	Poles	Article no.	Article no.	Article no.	Article no.	Article no.	Article no.	Article no.	Packing unit
16	3	F31S183	F31S283	F31S383		F31S583	F31S883	F31S983	10
16	4	F41S183	F41S283	F41S383	F41S483	F41S583	F41S883	F41S983	10
16	5	F51S183	F51S283	F51S383		F51S583	F51S883	F51S983	10
32	3	F32S183	F32S283	F32S383		F32S583	F32S883	F32S983	10
32	4	F42S183	F42S283	F42S383	F42S483	F42S583	F42S883	F42S983	10
32	5	F52S183	F52S283	F52S383		F52S583	F52S883	F52S983	10



Poles	3	4	5	3	4	5
Ampere	16			32		
Flange a	92	92	92	92	92	92
Flange b	100	100	100	100	100	100
Hole spacing c	77	77	77	77	77	77
Hole spacing d	85	85	85	85	85	85
e	30	33	36	38	38	41
f	54	54	54	65	65	65
g	70	70	70	77	77	77
h	77	77	77	88	88	88
i	5,5	5,5	5,5	5,5	5,5	5,5
Weight [g/each]	152	172	206	226	250	278

## Panel-mounted socket outlet, angled 15°

watertight IP67

- screwless connection technology (plug2power)
- in three parts

All panel-mounted socket outlets are also available with **nickel-plated** contacts. Add a "V" instead of the "S" to the article number e.g. F31VL1G.

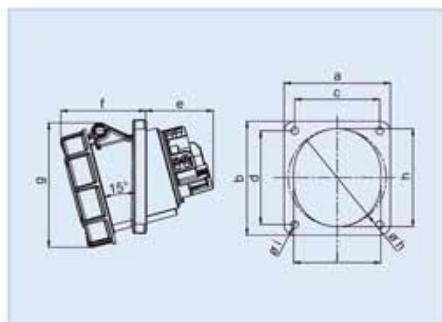


Voltage		110 V~	230 V~	400 V~	500 V~	>50-500 V~	>50-500 V~	
Frequency		50/60 Hz	50/60 Hz	50/60 Hz	50/60 Hz	100-300 Hz	301-500 Hz	
Designation		4h	3p = 6h 4p/5p = 9h	3p = 9h 4p/5p = 6h	7h	10h	2h	
Ampere	Poles	Article no.	Article no.	Article no.	Article no.	Article no.	Article no.	Packing unit
16	3	F31SL1G	F31SL2G	F31SL3G	F31SL5G	F31SL8G	F31SL9G	10
16	4	F41SL1G	F41SL2G	F41SL3G	F41SL5G	F41SL8G	F41SL9G	10
16	5	F51SL1G	F51SL2G	F51SL3G	F51SL5G	F51SL8G	F51SL9G	10
32	3	F32SL1G	F32SL2G	F32SL3G	F32SL5G	F32SL8G	F32SL9G	10
32	4	F42SL1G	F42SL2G	F42SL3G	F42SL5G	F42SL8G	F42SL9G	10
32	5	F52SL1G	F52SL2G	F52SL3G	F52SL5G	F52SL8G	F52SL9G	10



# CEE Panel-mounted socket outlets, angled

according to IEC 60309, EN 60309, VDE 0623



Poles	3 <sup>a</sup>	4 <sup>a</sup>	5 <sup>a</sup>	3 <sup>b</sup>	4 <sup>b</sup>	5 <sup>b</sup>	3 <sup>c</sup>	4 <sup>c</sup>	5 <sup>c</sup>
Ampere	63			63			63		
Flange a	100	100	100	100	100	100	106	106	106
Flange b	112	112	112	107	107	107	110	110	110
Hole spacing c	80	80	80	77	77	77	90	90	90
Hole spacing d	88	88	88	85	85	85	90	90	90
e	64	64	64	64	64	64	64	64	64
f	80	80	80	80	80	80	80	80	80
g	119	119	119	119	119	119	119	119	119
h	92	92	92	92	92	92	92	92	92
i	7	7	7	7	7	7	7	7	7
j	82	82	82	82	82	82	82	82	82
Weight [g/each]	498	529	675	494	525	671	500	532	678

## Panel-mounted socket outlet, angled 15°

watertight IP67

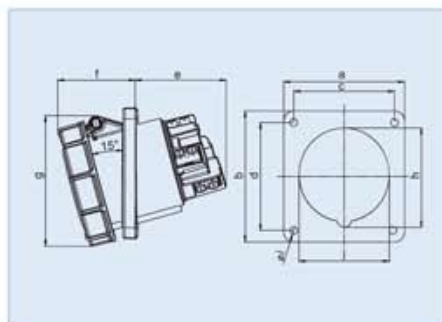
- HighPower version
- with pilot contact
- screw terminals

<sup>a</sup> with flange 112 x 100 mm

<sup>b</sup> with flange 107 x 100 mm

<sup>c</sup> with flange 110 x 106 mm

Voltage		110 V~	230 V~	400 V~	440 V~	500 V~	>50-500 V~	>50-500 V~	Packing unit
Frequency		50/60 Hz	50/60 Hz	50/60 Hz	50/60 Hz	50/60 Hz	100-300 Hz	301-500 Hz	
Designation		4h	3p = 6h 4p/5p = 9h	3p = 9h 4p/5p = 6h	11h	7h	10h	2h	
Ampere	Poles	Article no.	Article no.	Article no.	Article no.	Article no.	Article no.	Article no.	
63	3 <sup>a</sup>	F33S186	F33S286	F33S386		F33S586	F33S886	F33S986	2
63	4 <sup>a</sup>	F43S186	F43S286	F43S386	F43S486	F43S586	F43S886	F43S986	2
63	5 <sup>a</sup>	F53S186	F53S286	F53S386		F53S586	F53S886	F53S986	2
63	3 <sup>b</sup>	F33S184	F33S284	F33S384		F33S584	F33S884	F33S984	2
63	4 <sup>b</sup>	F43S184	F43S284	F43S384	F43S484	F43S584	F43S884	F43S984	2
63	5 <sup>b</sup>	F53S184	F53S284	<b>F53S384</b>		F53S584	F53S884	F53S984	2
63	3 <sup>c</sup>	F33S185	F33S285	F33S385		F33S585	F33S885	F33S985	2
63	4 <sup>c</sup>	F43S185	F43S285	F43S385	F43S485	F43S585	F43S885	F43S985	2
63	5 <sup>c</sup>	F53S185	F53S285	F53S385		F53S585	F53S885	F53S985	2



Poles	3 <sup>a</sup>	4 <sup>a</sup>	5 <sup>a</sup>	3 <sup>b</sup>	4 <sup>b</sup>	5 <sup>b</sup>
Ampere	125			125		
Flange a	120	120	120	114	114	114
Flange b	130	130	130	114	114	114
Hole spacing c	100	100	100	90	90	90
Hole spacing d	108	108	108	90	90	90
e	92	92	92	92	92	92
f	77	77	77	77	77	77
g	130	130	130	130	130	130
h	102	102	102	102	102	102
i	7	7	7	7	7	7
j	90	90	90	90	90	90
Weight [g/each]	804	892	999	792	880	987

## Panel-mounted socket outlet, angled 15°

watertight IP67

- HighPower version
- with pilot contact
- screw terminals

<sup>a</sup> with flange 130 x 120 mm

<sup>b</sup> with flange 114 x 114 mm

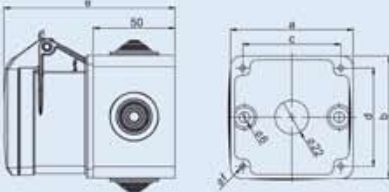
Voltage		110 V~	230 V~	400 V~	440 V~	500 V~	>50-500 V~	>50-500 V~	Packing unit
Frequency		50/60 Hz	50/60 Hz	50/60 Hz	50/60 Hz	50/60 Hz	100-300 Hz	301-500 Hz	
Designation		4h	3p = 6h 4p/5p = 9h	3p = 9h 4p/5p = 6h	11h	7h	10h	2h	
Ampere	Poles	Article no.	Article no.	Article no.	Article no.	Article no.	Article no.	Article no.	
125	3 <sup>a</sup>	F34S187	F34S287	F34S387		F34S587	F34S887	F34S987	2
125	4 <sup>a</sup>	F44S187	F44S287	F44S387	F44S487	F44S587	F44S887	F44S987	2
125	5 <sup>a</sup>	F54S187	F54S287	F54S387		F54S587	F54S887	F54S987	2
125	3 <sup>b</sup>	F34S188	F34S288	F34S388		F34S588	F34S888	F34S988	2
125	4 <sup>b</sup>	F44S188	F44S288	F44S388	F44S488	F44S588	F44S888	F44S988	2
125	5 <sup>b</sup>	F54S188	F54S288	<b>F54S388</b>		F54S588	F54S888	F54S988	2



## CEE Surface-mounted socket outlet

according to IEC 60309, EN 60309, VDE 0623



	<b>Poles</b>	<b>3</b>	<b>4</b>	<b>5</b>	<b>3</b>	<b>4</b>	<b>5</b>
	<b>Ampere</b>	<b>16</b>			<b>32</b>		
<b>a and b</b>	75	75	75	75	75	75	75
<b>c and d</b>	60	60	60	60	60	60	60
<b>e</b>	105	105	105	115	115	115	115
<b>f</b>	3,3	3,3	3,3	3,3	3,3	3,3	3,3
<b>Weight [g/each]</b>	190	205	220	260	270	295	295

**Surface-mounted socket outlet, complete with appliance inlet**  
splash-proof IP44

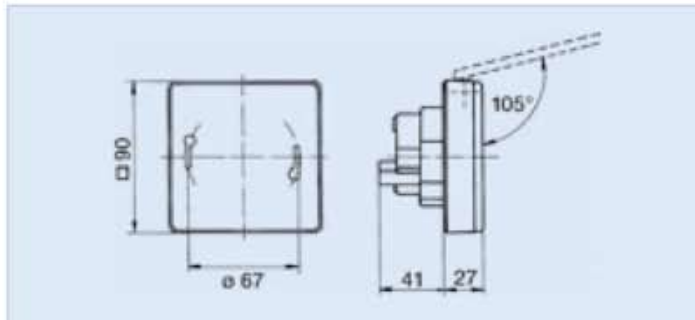
- screw terminals
- suitable for appliance inlets, straight, 16 and 32 A
- with 2,4 or without self-sealing grommets

32 A and special clock face positions upon request

		230 V~	400 V~	Number of the self-sealing grommets	Packing unit
		50/60 Hz	50/60 Hz		
		6h	6h		
Ampere	Poles	Article no.	Article no.		
16	3	AP31S20		0	10
16	4		AP41S30	0	10
16	5		AP51S30	0	10
16	3	AP31S21		2	10
16	4		AP41S31	2	10
16	5		AP51S31	2	10
16	3	AP31S22		4	10
16	4		AP41S32	4	10
16	5		AP51S32	4	10

## CEE Flush-mounted socket outlet

according to IEC 60309, EN 60309, VDE 0623

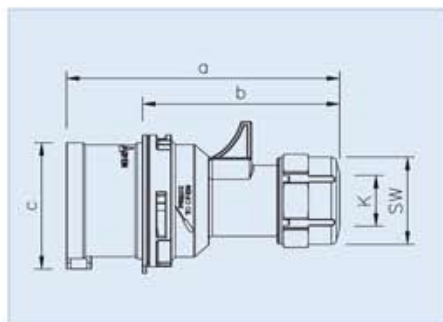


		400 V~	Packing unit
		50/60 Hz	
		6h	
Ampere	Poles	Article no.	
16	5	D 51.33	10

**Weight: 183 g/each**

**CEE Flush-mounted socket outlet**

splash-proof IP44  
shipment: with in-wall box



Poles	3	4	5	3	4	5
<b>Ampere</b>	16			32		
<b>a</b>	118	124	131	146	146	152
<b>b</b>	82	88	95	100	100	106
<b>c</b>	47	53	61	63	63	70
<b>K</b>	6-15	6-15	8-16	10-20	10-20	12-22
<b>SW</b>	38	38	42	50	50	50
<b>Weight [g/each]</b>	104	127	150	181	200	230

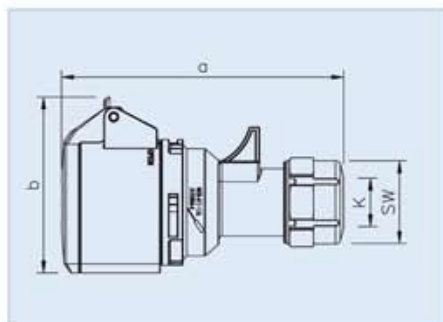
**Plug, black**  
splash-proof IP44

- screw terminals
- quick release locking system (turn2fix)

All plugs are also available with **nickel-plated** contacts. Add a "V" instead of the second "S" to the article number e.g. S31V20B.



		230 V~	400 V~		
		50/60 Hz	50/60 Hz		
		3p = 6h 4p/5p = 9h	3p = 9h 4p/5p = 6h		
Ampere	Poles	Article no.	Article no.	Packing unit	
16	3	S31S20B		10	
16	4		S41S30B	10	
16	5		S51S30B	10	
32	3	S32S20B		10	
32	4		S42S30B	10	
32	5		S52S30B	10	



Poles	3	4	5	3	4	5
<b>Ampere</b>	16			32		
<b>a</b>	129	135	142	159	159	165
<b>b</b>	76	80	89	92	92	98
<b>K</b>	6-15	6-15	8-16	10-20	10-20	12-22
<b>SW</b>	38	38	42	50	50	50
<b>Weight [g/each]</b>	137	161	183	225	244	278

**Connector, black**  
splash-proof IP44

- hinged lid with thumb grip
- screw terminals
- quick release locking system (turn2fix)

All connectors are also available with **nickel-plated** contacts. Add a "V" instead of the "S" to the article number e.g. K31V20B.



		230 V~	400 V~		
		50/60 Hz	50/60 Hz		
		3p = 6h 4p/5p = 9h	3p = 9h 4p/5p = 6h		
Ampere	Poles	Article no.	Article no.	Packing unit	
16	3	K31S20B		10	
16	4		K41S30B	10	
16	5		K51S30B	10	
32	3	K32S20B		10	
32	4		K42S30B	10	
32	5		K52S30B	10	

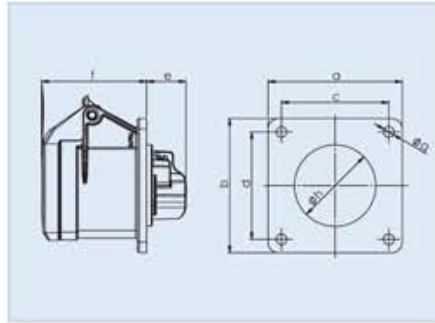




**Panel-mounted socket outlet, straight, black**  
splash-proof IP44

- screw terminals

All panel-mounted socket outlets are also available with **nickel-plated** contacts. Add a "V" instead of the "S" to the article number e.g. F31V20B.



Poles	3	4	5	3	4	5
<b>Ampere</b>	<b>16</b>			<b>32</b>		
<b>a and b</b>	70	70	70	70	70	70
<b>c and d</b>	56	56	56	56	56	56
<b>e</b>	21	21	21	23	23	23
<b>f</b>	55	55	55	67	67	67
<b>g</b>	5,5	5,5	5,5	5,5	5,5	5,5
<b>h</b>	43	45	55	55	55	58
<b>Weight [g/each]</b>	113	128	150	164	181	213

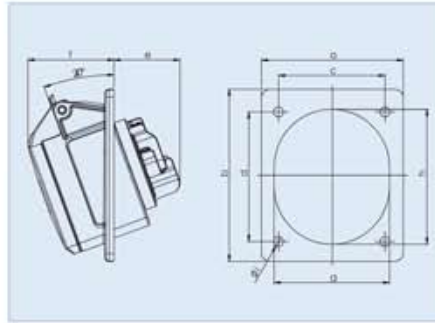
		230 V~	400 V~		
		50/60 Hz	50/60 Hz		
		3p = 6h 4p/5p = 9h	3p = 9h 4p/5p = 6h		
Ampere	Pole	Article no.	Article no.	Packing unit	
16	3	F31S20B		10	
16	4		F41S30B	10	
16	5		F51S30B	10	
32	3	F32S20B		10	
32	4		F42S30B	10	
32	5		F52S30B	10	



**Panel-mounted socket outlet, angled 20°, black**  
splash-proof IP44

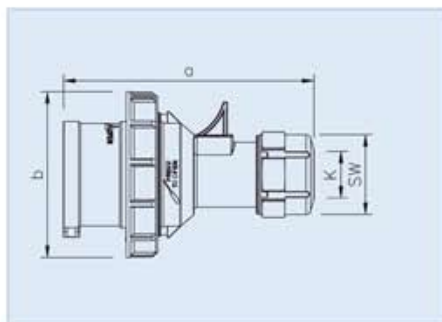
- screw terminals

All panel-mounted socket outlets are also available with **nickel-plated** contacts. Add a "V" instead of the "S" to the article number e.g. F31V22B.



Poles	3	4	5	3	4	5
<b>Ampere</b>	<b>16</b>			<b>32</b>		
<b>Flange a</b>	70	70	80	80	80	80
<b>Flange b</b>	85	85	97	97	97	97
<b>Hole spacing c</b>	50	50	60	60	60	60
<b>Hole spacing d</b>	65	65	73	73	73	73
<b>e</b>	38	38	39	51	51	51
<b>f</b>	47	47	48	50	50	52
<b>g</b>	51	56	65	65	65	70
<b>h</b>	61	67	76	75	75	80
<b>i</b>	5,5	5,5	5,5	5,5	5,5	5,5
<b>Weight [g/each]</b>	112	117	144	198	222	250

		230 V~	400 V~		
		50/60 Hz	50/60 Hz		
		3p = 6h 4p/5p = 9h	3p = 9h 4p/5p = 6h		
Ampere	Pole	Article no.	Article no.	Packing unit	
16	3	F31S22B		10	
16	4		F41S32B	10	
16	5		F51S32B	10	
32	3	F32S22B		10	
32	4		F42S32B	10	
32	5		F52S32B	10	



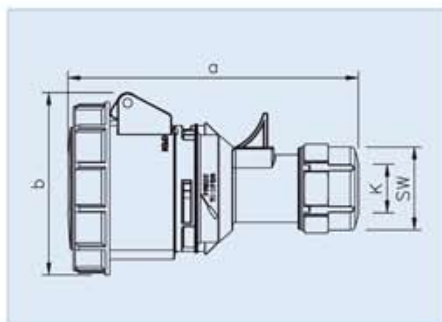
Poles	3	4	5	3	4	5
Ampere	16			32		
a	118	124	131	146	146	152
b	71	79	87	93	93	100
K	6-15	6-15	8-16	10-20	10-20	12-22
SW	38	38	42	50	50	50
Weight [g/each]	122	147	172	210	230	263

**Plug**  
bronze green, RAL 6031-F  
watertight IP67

- screw terminals
- quick release locking system (turn2fix)



		230 V~	400 V~		
		50/60 Hz	50/60 Hz		
		6h	6h		
Ampere	Poles	Article no.	Article no.	Packing unit	
16	3	S31V25G		10	
16	4		S41V35G	10	
16	5		S51V35G	10	
32	3	S32V25G		10	
32	4		S42V35G	10	
32	5		S52V35G	10	



Poles	3	4	5	3	4	5
Ampere	16			32		
a	133	139	145	162	162	168
b	78	84	92	96	96	102
K	6-15	6-15	8-16	10-20	10-20	12-22
SW	38	38	42	50	50	50
Weight [g/each]	156	185	215	266	285	323

**Connector**  
bronze green, RAL 6031-F  
watertight IP67

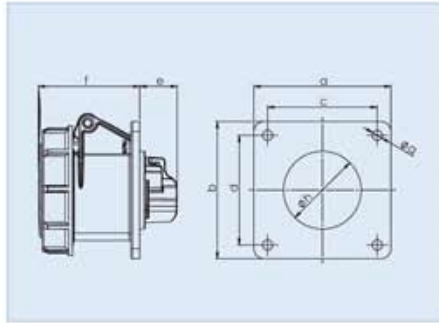
- screw terminals
- quick release locking system (turn2fix)



		230 V~	400 V~		
		50/60 Hz	50/60 Hz		
		6h	6h		
Ampere	Poles	Article no.	Article no.	Packing unit	
16	3	K31V25G		10	
16	4		K41V35G	10	
16	5		K51V35G	10	
32	3	K32V25G		10	
32	4		K42V35G	10	
32	5		K52V35G	10	

\* no military version





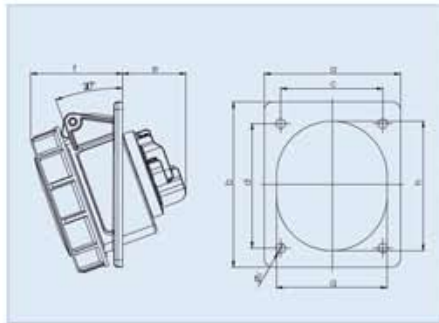
Poles	3	4	5	3	4	5
Ampere	16			32		
a and b	75	75	75	75	75	75
c and d	60	60	60	60	60	60
e	21	21	21	23	23	23
f	55	55	55	67	67	67
g	5,5	5,5	5,5	5,5	5,5	5,5
h	43	45	55	55	55	58
Weight [g/each]	134	153	166	200	217	250

Panel-mounted socket outlet, straight, bronze green, RAL 6031-F

watertight IP67

- screw terminals

Voltage		230 V~	400 V~	
Frequency		50/60 Hz	50/60 Hz	
Designation		6h	6h	
Ampere	Poles	Article no.	Article no.	Packing unit
16	3	F31V25G		10
16	4		F41V35G	10
16	5		F51V35G	10
32	3	F32V25G		10
32	4		F42V35G	10
32	5		F52V35G	10



Poles	3	4	5	3	4	5
Ampere	16			32		
Flange a	70	70	80	80	80	80
Flange b	85	85	97	97	97	97
Hole spacing c	50	50	60	60	60	60
Hole spacing d	65	65	73	73	73	73
e	38	38	39	51	51	51
f	49	50	54	60	60	61
g	51	56	65	65	65	70
h	61	67	76	75	75	80
i	5,5	5,5	5,5	5,5	5,5	5,5
Weight [g/each]	124	141	168	224	248	278

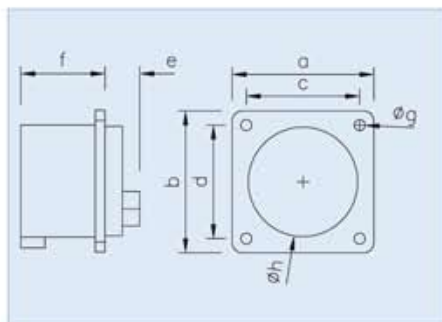
Panel-mounted socket outlet, angled 20°, bronze green, RAL 6031-F

watertight IP67

- screw terminals

Voltage		230 V~	400 V~	
Frequency		50/60 Hz	50/60 Hz	
Designation		6h	6h	
Ampere	Poles	Article no.	Article no.	Packing unit
16	3	F31V26G		10
16	4		F41V36G	10
16	5		F51V36G	10
32	3	F32V26G		10
32	4		F42V36G	10
32	5		F52V36G	10

\* no military version



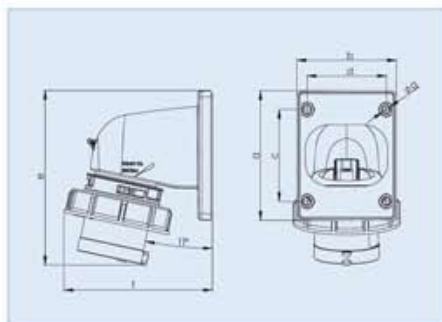
Poles	3	4	5	3	4	5
Ampere	16			32		
a and b	70	70	70	75	70	70
c and d	56	56	56	56	56	56
e	25	25	26	30	30	30
f	41	41	42	50	50	50
g	5	5	5	5	5	5
h	43	43	55	55	55	55
Weight [g/each]	87	100	112	140	160	178

**Appliance inlet, straight**  
bronze green, RAL 6031-F  
splash-proof IP44

- screw terminals

Notice acc. to EN 60309:  
for correct use, a retaining lug or  
retaining slot is necessary.

		230 V~	400 V~		
		50/60 Hz	50/60 Hz		
		6h	6h		
Ampere	Poles	Article no.	Article no.	Packing unit	
16	3	A31V23G		10	
16	4		A41V33G	10	
16	5		A51V33G	10	
32	3	A32V23G		10	
32	4		A42V33G	10	
32	5		A52V33G	10	



Poles	3	4	5	3	4	5
Ampere	16			32		
a	86	86	100	100	100	100
b	66	66	90	90	90	90
c	61	61	85	85	85	85
d	53	53	77	77	77	77
e	116	117	153	163	163	164
f	99	103	107	110	110	114
g	5	5	5	5	5	5
Weight [g/each]	146	165	212	231	251	275

**Angle appliance inlet,**  
bronze green, RAL 6031-F  
watertight IP67

- screw terminals
- quick release locking system (turn2fix)



		230 V~	400 V~		
		50/60 Hz	50/60 Hz		
		6h	6h		
Ampere	Poles	Article no.	Article no.	Packing unit	
16	3	A31V26G		10	
16	4		A41V36G	10	
16	5		A51V36G	10	
32	3	A32V26G		10	
32	4		A42V36G	10	
32	5		A52V36G	10	

\* no military version





## CEE Switched interlocked wall-mounted socket outlets

**Switch off a bit!**  
In addition to the high safety standards for the CEE components used and the high-performance Miniature circuit breakers, these Wall-mounted socket outlets have a mechanical locking system for optimal safety.



**Wall-mounted socket outlets which can be switched off – everything under control in one step**

- enclosure in PC/ABS version
- mechanical locking:  
after insertion and switching on, the **plug is locked**  
after switching off and removal of the plug, the **switch is locked**
- On/Off switch 10kA accordance to EN 60947-3
- large connection space
- wired
- cable entry above or below
- wide number of versions from 16 to 63A can be supplied
- wiring can be led through for 16 A and 32 A
- can be locked with padlock (40 mm) in the switched-off position
- from wiring space, protected long hole wall mounting





# CEE Switched interlocked wall-mounted socket outlets

mechanically locked, lockable with padlock

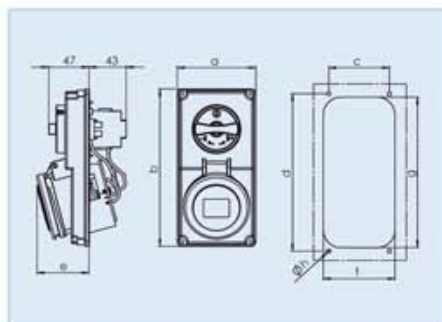
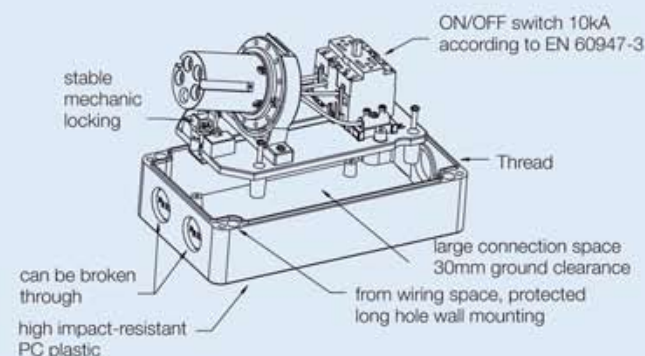
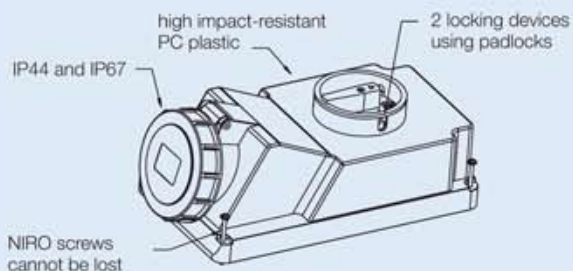
**Advantages:**

- enclosure in PC/ABS version
- compact and space-saving construction form
- usable as flange version on distributors and cabinets
- wired
- can be locked with a padlock when switched off (40 mm)
- mechanical locking:  
after insertion and switching on, the **plug is locked**  
after switching off and removing the plug, **the switch is locked**
- large connection space
- wiring can be led through for 16 A and 32 A

**Technical data:**

- wall box or mounting socket can be switched off
- 16 A and 32 A; 3, 4 and 5 poles
- IP44 and IP67
- On/Off switch 10kA
- large connection space
- tested according to EN 60309

**Version: 16 A and 32 A**



Poles	3	4	5	3	4	5
<b>Ampere</b>	<b>16</b>			<b>32</b>		
<b>a</b>	90	90	90	90	90	90
<b>b</b>	180	180	180	180	180	180
<b>c</b>	79	79	79	79	79	79
<b>d</b>	169	169	169	169	169	169
<b>e</b>	57	59	60	66	66	67
<b>f</b>	82	82	82	82	82	82
<b>g</b>	172	172	172	172	172	172
<b>h</b>	4,4	4,4	4,4	4,4	4,4	4,4
<b>Switch contacts</b>	2	3	4	2	3	4
<b>Weight [g/each]</b>	463	524	562	521	579	621

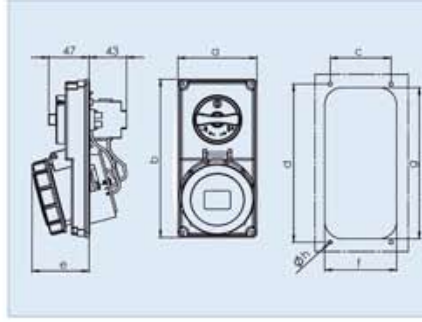
**Wall-mounted socket outlet splash-proof IP44**

- flange version for installation
- mechanically locked
- all components are mounted on the top

		110 V~	230 V~	400 V~	440 V~	500 V~	
		50/60 Hz	50/60 Hz	50/60 Hz	50/60 Hz	50/60 Hz	
		4h	3p = 6h 4p/5p = 9h	3p = 9h 4p/5p = 6h	11h	7h	
Ampere	Poles	Article no.	Article no.	Article no.	Article no.	Article no.	Packing unit
16	3	C31S100	C31S200	C31S300		C31S500	1
16	4	C41S100	C41S200	C41S300	C41S400	C41S500	1
16	5	C51S100	C51S200	C51S300		C51S500	1
32	3	C32S100	C32S200	C32S300		C32S500	1
32	4	C42S100	C42S200	C42S300	C42S400	C42S500	1
32	5	C52S100	C52S200	C52S300		C52S500	1

# CEE Switched interlocked wall-mounted socket outlets

mechanically locked, lockable with padlock

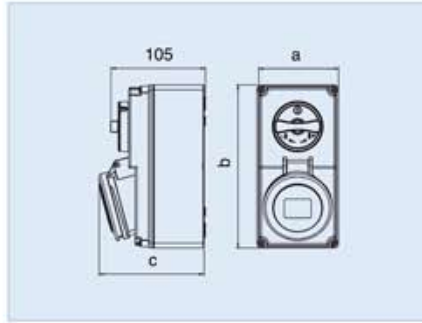


Poles	3	4	5	3	4	5
<b>Ampere</b>	<b>16</b>			<b>32</b>		
a	90	90	90	90	90	90
b	180	180	180	180	180	180
c	79	79	79	79	79	79
d	169	169	169	169	169	169
e	61	62	65	68	68	70
f	82	82	82	82	82	82
g	172	172	172	172	172	172
h	4,4	4,4	4,4	4,4	4,4	4,4
<b>Switch contacts</b>	2	3	4	2	3	4
<b>Weight [g/each]</b>	463	524	562	521	579	621

**Wall-mounted socket outlet**  
watertight IP67

- flange version for installation
- mechanically locked
- all components are mounted on the top

Voltage		110 V~	230 V~	400 V~	440 V~	500 V~	Packing unit
Frequency		50/60 Hz	50/60 Hz	50/60 Hz	50/60 Hz	50/60 Hz	
Designation		4h	3p = 6h 4p/5p = 9h	3p = 9h 4p/5p = 6h	11h	7h	
Ampere	Poles	Article no.	Article no.	Article no.	Article no.	Article no.	
16	3	C31S150	C31S250	C31S350		C31S550	1
16	4	C41S150	C41S250	C41S350	C41S450	C41S550	1
16	5	C51S150	C51S250	C51S350		C51S550	1
32	3	C32S150	C32S250	C32S350		C32S550	1
32	4	C42S150	C42S250	C42S350	C42S450	C42S550	1
32	5	C52S150	C52S250	C52S350		C52S550	1



Poles	3	4	5	3	4	5
<b>Ampere</b>	<b>16</b>			<b>32</b>		
a	90	90	90	90	90	90
b	180	180	180	180	180	180
c	115	116	117	123	123	124
<b>Switch contacts</b>	2	3	4	2	3	4
<b>Weight [g/each]</b>	596	657	695	654	712	754

**Wall-mounted socket outlet**  
splash-proof IP44

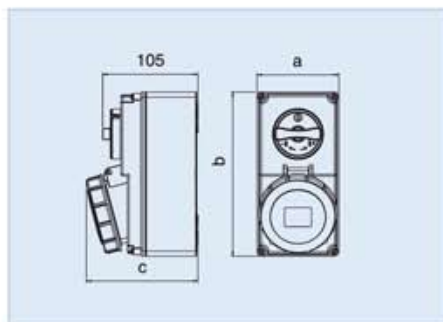
- mechanically locked
- all components are mounted on the top

Voltage		110 V~	230 V~	400 V~	440 V~	500 V~	Packing unit
Frequency		50/60 Hz	50/60 Hz	50/60 Hz	50/60 Hz	50/60 Hz	
Designation		4h	3p = 6h 4p/5p = 9h	3p = 9h 4p/5p = 6h	11h	7h	
Ampere	Poles	Article no.	Article no.	Article no.	Article no.	Article no.	
16	3	C31S101	C31S201	C31S301		C31S501	1
16	4	C41S101	C41S201	C41S301	C41S401	C41S501	1
16	5	C51S101	C51S201	C51S301		C51S501	1
32	3	C32S101	C32S201	C32S301		C32S501	1
32	4	C42S101	C42S201	C42S301	C42S401	C42S501	1
32	5	C52S101	C52S201	C52S301		C52S501	1



# CEE Switched interlocked wall-mounted socket outlets

mechanically locked, lockable with padlock

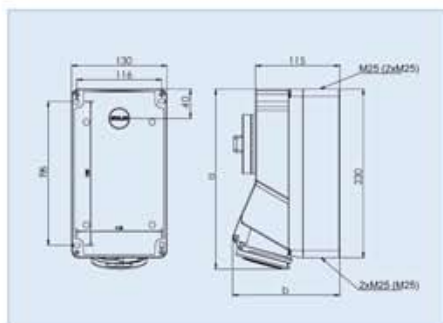


Poles	3	4	5	3	4	5
Ampere	16			32		
a	90	90	90	90	90	90
b	180	180	180	180	180	180
c	119	120	122	125	125	128
Switch contacts	2	3	4	2	3	4
Weight [g/each]	596	657	695	654	712	754

**Wall-mounted socket outlet**  
watertight IP67

- mechanically locked
- all components are mounted on the top

Voltage		110 V~	230 V~	400 V~	440 V~	500 V~	
Frequency		50/60 Hz	50/60 Hz	50/60 Hz	50/60 Hz	50/60 Hz	
Designation		4h	3p = 6h 4p/5p = 9h	3p = 9h 4p/5p = 6h	11h	7h	
Ampere	Poles	Article no.	Article no.	Article no.	Article no.	Article no.	Packing unit
16	3	C31S151	C31S251	C31S351		C31S551	1
16	4	C41S151	C41S251	C41S351	C41S451	C41S551	1
16	5	C51S151	C51S251	C51S351		C51S551	1
32	3	C32S151	C32S251	C32S351		C32S551	1
32	4	C42S151	C42S251	C42S351	C42S451	C42S551	1
32	5	C52S151	C52S251	C52S351		C52S551	1



Poles	3	4	5	3	4	5
Ampere	16			32		
a	248	249	250	253	253	254
b	146	146	146	150	150	157
M	3x25	3x25	3x25	3x25	3x25	3x25
AC 22A	20A	20A	20A	32A	32A	32A
Switch contacts	2	3	4	2	3	4
Weight [g/each]	1123	1143	1183	1203	1213	1263

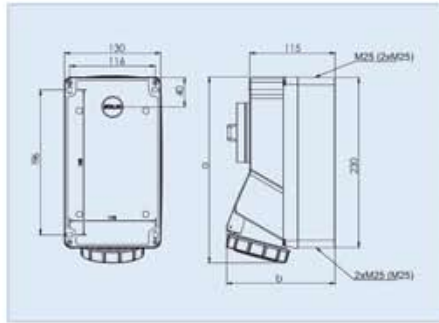
**Wall-mounted socket outlet**  
splash-proof IP44

- mechanically locked
- cable entry above, below or behind
- all components are mounted on the bottom

Voltage		110 V~	230 V~	400 V~	440 V~	500 V~	
Frequency		50/60 Hz	50/60 Hz	50/60 Hz	50/60 Hz	50/60 Hz	
Designation		4h	3p = 6h 4p/5p = 9h	3p = 9h 4p/5p = 6h	11h	7h	
Ampere	Poles	Article no.	Article no.	Article no.	Article no.	Article no.	Packing unit
16	3	C31S102	C31S202	C31S302		C31S502	1
16	4	C41S102	C41S202	C41S302	C41S402	C41S502	1
16	5	C51S102	C51S202	C51S302		C51S502	1
32	3	C32S102	C32S202	C32S302		C32S502	1
32	4	C42S102	C42S202	C42S302	C42S402	C42S502	1
32	5	C52S102	C52S202	C52S302		C52S502	1

# CEE Switched interlocked wall-mounted socket outlets

mechanically locked, lockable with padlock

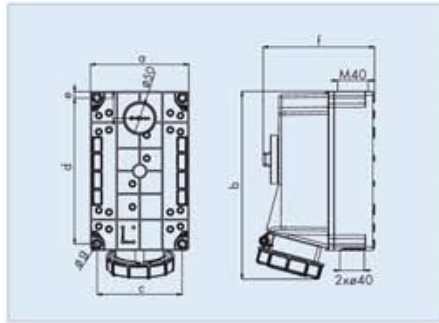


Poles	3	4	5	3	4	5
<b>Ampere</b>	16			32		
<b>a</b>	248	249	250	253	253	254
<b>b</b>	146	146	146	150	150	157
<b>M</b>	3x25	3x25	3x25	3x25	3x25	3x25
<b>AC 22A</b>	20A	20A	20A	32A	32A	32A
<b>Switch contacts</b>	2	3	4	2	3	4
<b>Weight [g/each]</b>	1130	1150	1190	1210	1220	1270

**Wall-mounted socket outlet**  
watertight IP67

- mechanically locked
- cable entry above, below or behind
- all components are mounted on the bottom

Voltage		110 V~	230 V~	400 V~	440 V~	500 V~	Packing unit
Frequency		50/60 Hz	50/60 Hz	50/60 Hz	50/60 Hz	50/60 Hz	
Designation		4h	3p = 6h 4p/5p = 9h	3p = 9h 4p/5p = 6h	11h	7h	
Ampere	Poles	Article no.	Article no.	Article no.	Article no.	Article no.	
16	3	C31S152	C31S252	C31S352		C31S552	1
16	4	C41S152	C41S252	C41S352	C41S452	C41S552	1
16	5	C51S152	C51S252	C51S352		C51S552	1
32	3	C32S152	C32S252	C32S352		C32S552	1
32	4	C42S152	C42S252	C42S352	C42S452	C42S552	1
32	5	C52S152	C52S252	C52S352		C52S552	1



Poles	3	4	5
<b>Ampere</b>	63		
<b>a</b>	162	162	162
<b>b</b>	310	310	310
<b>c</b>	140	140	140
<b>d</b>	240	240	240
<b>e</b>	11	11	11
<b>f</b>	184	184	184
<b>g</b>	9	9	9
<b>Weight [g/each]</b>	1810	1944	2083

**Wall-mounted socket outlet**  
watertight IP67

- HighPower version
- mechanically locked
- cable entry above, below or behind
- housing can be rotated 180°
- all components are mounted on the bottom

Voltage		110 V~	230 V~	400 V~	440 V~	500 V~	Packing unit
Frequency		50/60 Hz	50/60 Hz	50/60 Hz	50/60 Hz	50/60 Hz	
Designation		4h	3p = 6h 4p/5p = 9h	3p = 9h 4p/5p = 6h	11h	7h	
Ampere	Poles	Article no.	Article no.	Article no.	Article no.	Article no.	
63	3	C33S153	C33S253	C33S353		C33S553	1
63	4	C43S153	C43S253	C43S353	C43S453	C43S553	1
63	5	C53S153	C53S253	C53S353		C53S553	1

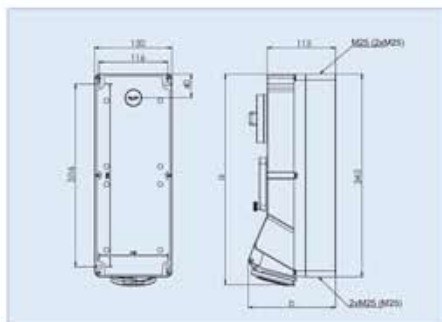


# CEE Switched interlocked wall-mounted socket outlets with DIN rail

mechanically locked, lockable with padlock

**Advantages:**

- enclosure in PC/ABS version
- compact and space-saving construction form
- usable as flange version on distributors and cabinets
- wired
- rotating handle can be locked with padlock (40mm) when turned off
- mechanical locking: after insertion and switching on, **the plug is locked** after switching off and removing the plug, **the switch is locked**
- large connection space
- wiring can be looped through for 16 A and 32 A
- long version with flap window for 5 or 6 modules
- integrated DIN rail EN 50022 for all standard fuses, as well as Miniature circuit breakers, RCCBs, etc. with cap installation size: 45 mm
- pre-wired up to DIN rail
- other configuration (switch below, flap window above) upon request!



Poles	3	4	5	3	4	5
Ampere	16			32		
a	358	359	360	363	363	364
b	146	146	146	150	150	157
M	3x25	3x25	3x25	3x25	3x25	3x25
AC 22A	20A	20A	20A	32A	32A	32A
Switch contacts	2	3	4	2	3	4
Weight [g/each]	1483	1603	1643	1663	1673	1723

**Wall-mounted socket outlet, with DIN rail**

splash-proof IP44

- mechanically locked
- cable entry above, below or behind
- with DIN rail and window for 5 modules
- all components are mounted on the bottom

Voltage		110 V~	230 V~	400 V~	440 V~	500 V~	Packing unit
Frequency		50/60 Hz	50/60 Hz	50/60 Hz	50/60 Hz	50/60 Hz	
Designation		4h	3p = 6h 4p/5p = 9h	3p = 9h 4p/5p = 6h	11h	7h	
Ampere	Poles	Article no.	Article no.	Article no.	Article no.	Article no.	
16	3	C31S110	C31S210	C31S310		C31S510	1
16	4	C41S110	C41S210	C41S310	C41S410	C41S510	1
16	5	C51S110	C51S210	C51S310		C51S510	1
32	3	C32S110	C32S210	C32S310		C32S510	1
32	4	C42S110	C42S210	C42S310	C42S410	C42S510	1
32	5	C52S110	C52S210	C52S310		C52S510	1



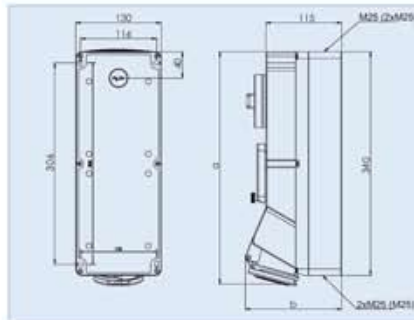


# CEE Switched interlocked wall-mounted socket outlets with Neozed fuse base

according to IEC 60309, EN 60309, VDE 0623

**Advantages:**

- enclosure in PC/ABS version
- compact and space-saving construction form
- usable as flange version on distributors and cabinets
- wired
- rotating handle can be locked with padlock (40mm) when switched off
- mechanical locking: after insertion and switching on, the **plug is locked** after switching off and removing the plug, the **switch is locked**
- large connection space
- wiring can be looped through for 16 A and 32 A
- long version with flap window
- integrated DIN rail EN 50022
- fuse  
in version 16 A/32 A:  
Neozed D01, D02; > 400 V: cylindrical fuse 14x51  
in version 63 A:  
fuse up to 400V with Neozed D02
- wired for connection
- other configuration (switch below, window above) upon request!



Poles	3	4	5	3	4	5
Ampere	16			32		
a	358	359	360	363	363	364
b	146	146	146	150	150	157
M	3x25	3x25	3x25	3x25	3x25	3x25
AC 22A	20A	20A	20A	32A	32A	32A
Switch contacts	2	3	4	2	3	4
Weight [g/each]	1793	1813	1853	1873	1883	1933

**Wall-mounted socket outlet splash-proof IP44**

- mechanically locked
- with Neozed fuse base, for > 400V cylindrical fuse component 14 x 51
- up to 3 x M25
- all components are mounted on the bottom

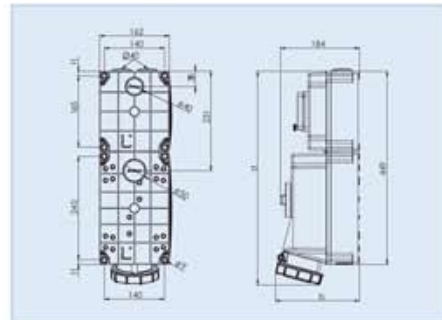
Voltage		110 V~	230 V~	400 V~	440 V~	500 V~	Packing unit
Frequency		50/60 Hz	50/60 Hz	50/60 Hz	50/60 Hz	50/60 Hz	
Designation		4h	3p = 6h 4p/5p = 9h	3p = 9h 4p/5p = 6h	11h	7h	
Ampere	Poles	Article no.	Article no.	Article no.	Article no.	Article no.	
16	3	C31S120	C31S220	C31S320		C31S520	1
16	4	C41S120	C41S220	C41S320	C41S420	C41S520	1
16	5	C51S120	C51S220	C51S320		C51S520	1
32	3	C32S120	C32S220	C32S320		C32S520	1
32	4	C42S120	C42S220	C42S320	C42S420	C42S520	1
32	5	C52S120	C52S220	C52S320		C52S520	1





# CEE Switched interlocked wall-mounted socket outlets protected with MCBs

according to IEC 60309, EN 60309, VDE 0623



Poles	3	4	5
Ampere	63		
a	496	496	496
b	195	195	195
AC 22A	63A	63A	63A
Switch contacts	2	3	4
Weight [g/each]	2707	2841	2980

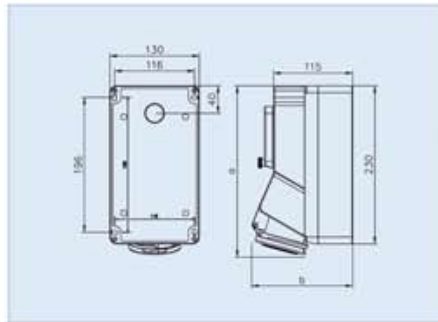
## Wall-mounted socket outlet watertight IP67

- HighPower version
- mechanically locked
- cable entry above or behind
- MCB fuse
- wired

Voltage		110 V~	230 V~	400 V~	440 V~	
Frequency		50/60 Hz	50/60 Hz	50/60 Hz	50/60 Hz	
Designation		4h	3p = 6h 4p/5p = 9h	3p = 9h 4p/5p = 6h	11h	
Ampere	Poles	Article no.	Article no.	Article no.	Article no.	Packing unit
63	3	B33S17	B33S27	B33S37		1
63	4	B43S17	B43S27	B43S37	B43S47	1
63	5	B53S17	B53S27	B53S37		1

# CEE Wall-mounted socket outlets with protection

according to IEC 60309, EN 60309, VDE 0623

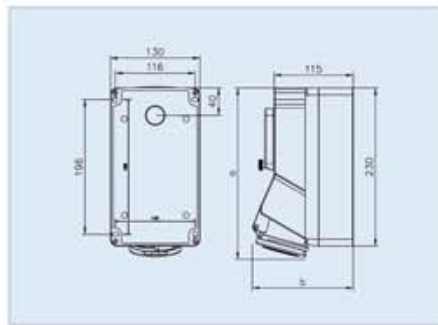


Poles	3	4	5	3	4	5
<b>Ampere</b>	16			32		
<b>a</b>	248	249	250	253	253	254
<b>b</b>	146	146	146	150	150	157
<b>M</b>	3x25	3x25	3x25	3x25	3x25	3x25
<b>Weight [g/each]</b>	1048	1057	1087	1125	1125	1162

**Wall-mounted socket outlet**  
splash-proof IP44

- with DIN rail for 5 modules
- watertight IP67 upon request

Voltage		110 V~	230 V~	400 V~	440 V~	500 V~	Packing unit
Frequency		50/60 Hz	50/60 Hz	50/60 Hz	50/60 Hz	50/60 Hz	
Designation		4h	3p = 6h 4p/5p = 9h	3p = 9h 4p/5p = 6h	11h	7h	
Ampere	Poles	Article no.	Article no.	Article no.	Article no.	Article no.	
16	3	B31S10	B31S20	B31S30		B31S50	1
16	4	B41S10	B41S20	B41S30	B41S40	B41S50	1
16	5	B51S10	B51S20	B51S30		B51S50	1
32	3	B32S10	B32S20	B32S30		B32S50	1
32	4	B42S10	B42S20	B42S30	B42S40	B42S50	1
32	5	B52S10	B52S20	B52S30		B52S50	1



Poles	3	4	5	3	4	5
<b>Ampere</b>	16			32		
<b>a</b>	248	249	250	253	253	254
<b>b</b>	146	146	146	150	150	157
<b>M</b>	3x25	3x25	3x25	3x25	3x25	3x25
<b>Weight [g/each]</b>	1158	1267	1297	1334	1334	1372

**Wall-mounted socket outlet**  
splash-proof IP44

- with Neozed fuse base, for 500 V cylindrical fuse 14 x 51

Voltage		110 V~	230 V~	400 V~	440 V~	500 V~	Packing unit
Frequency		50/60 Hz	50/60 Hz	50/60 Hz	50/60 Hz	50/60 Hz	
Designation		4h	3p = 6h 4p/5p = 9h	3p = 9h 4p/5p = 6h	11h	7h	
Ampere	Poles	Article no.	Article no.	Article no.	Article no.	Article no.	
16	3	B31S11	B31S21	B31S31		B31S51	1
16	4	B41S11	B41S21	B41S31	B41S41	B41S51	1
16	5	B51S11	B51S21	B51S31		B51S51	1
32	3	B32S11	B32S21	B32S31		B32S51	1
32	4	B42S11	B42S21	B42S31	B42S41	B42S51	1
32	5	B52S11	B52S21	B52S31		B52S51	1



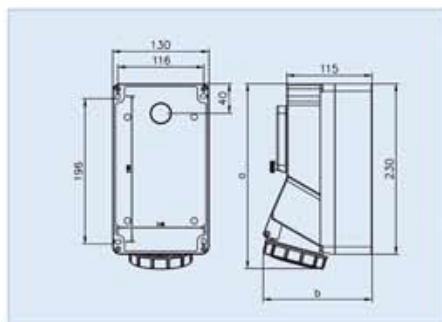
# CEE Wall-mounted socket outlets with protection

according to IEC 60309, EN 60309, VDE 0623



**Wall-mounted socket outlet**  
watertight IP67

- with Neozed fuse base, for 500 V cylindrical fuse 14 x 51



Poles	3	4	5	3	4	5
<b>Ampere</b>	<b>16</b>			<b>32</b>		
<b>a</b>	248	249	250	253	253	254
<b>b</b>	146	146	146	150	150	157
<b>M</b>	3x25	3x25	3x25	3x25	3x25	3x25
<b>Weight [g/each]</b>	1265	1274	1304	1341	1341	1379

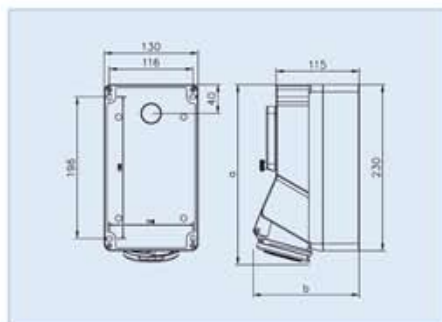
Voltage	110 V~	230 V~	400 V~	440 V~	500 V~		
Frequency	50/60 Hz	50/60 Hz	50/60 Hz	50/60 Hz	50/60 Hz		
Designation	4h	3p = 6h 4p/5p = 9h	3p = 9h 4p/5p = 6h	11h	7h		
Ampere	Poles	Article no.	Article no.	Article no.	Article no.	Packing unit	
16	3	B31S16	B31S26	B31S36		B31S56	1
16	4	B41S16	B41S26	B41S36	B41S46	B41S56	1
16	5	B51S16	B51S26	B51S36		B51S56	1
32	3	B32S16	B32S26	B32S36		B32S56	1
32	4	B42S16	B42S26	B42S36	B42S46	B42S56	1
32	5	B52S16	B52S26	B52S36		B52S56	1



**Wall-mounted socket outlet**  
splash-proof IP44

- with Miniature circuit breaker I<sub>N</sub> - C

watertight IP67 upon request

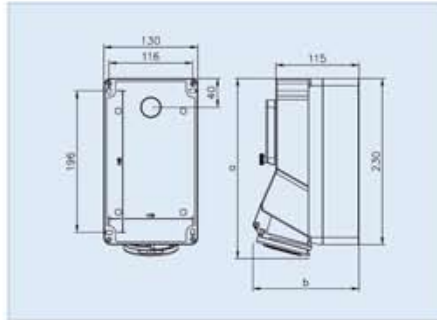


Poles	3	4	5	3	4	5
<b>Ampere</b>	<b>16</b>			<b>32</b>		
<b>a</b>	248	249	250	253	253	254
<b>b</b>	146	146	146	150	150	157
<b>M</b>	3x25	3x25	3x25	3x25	3x25	3x25
<b>Weight [g/each]</b>	1265	1274	1304	1341	1341	1379

Voltage	110 V~	230 V~	400 V~	440 V~		
Frequency	50/60 Hz	50/60 Hz	50/60 Hz	50/60 Hz		
Designation	4h	3p = 6h 4p/5p = 9h	3p = 9h 4p/5p = 6h	11h		
Ampere	Poles	Article no.	Article no.	Article no.	Packing unit	
16	3	B31S13	B31S23	B31S33	1	
16	4	B41S13	B41S23	B41S33	B41S43	1
16	5	B51S13	B51S23	B51S33	1	
32	3	B32S13	B32S23	B32S33	1	
32	4	B42S13	B42S23	B42S33	B42S43	1
32	5	B52S13	B52S23	B52S33	1	

# CEE Wall-mounted socket outlets with protection

according to IEC 60309, EN 60309, VDE 0623



Poles	3	4	5	3	4	5
Ampere	16			32		
a	248	249	250	253	253	254
b	146	146	146	150	150	157
M	3x25	3x25	3x25	3x25	3x25	3x25
Weight [g/each]	1265	1274	1304	1341	1341	1379

**Wall-mounted socket outlet**  
splash-proof IP44

- with RCCB  $I_{\Delta N}$  30 mA

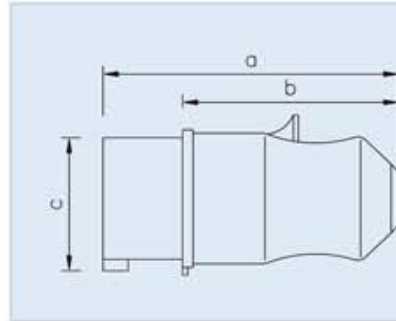
watertight IP67 upon request

		110 V~	230 V~	400 V~	440 V~		
		50/60 Hz	50/60 Hz	50/60 Hz	50/60 Hz		
		4h	3p = 6h 4p/5p = 9h	3p = 9h 4p/5p = 6h	11h		
Ampere	Poles	Article no.	Article no.	Article no.	Article no.	Packing unit	
16	3	B31S14	B31S24	B31S34		1	
16	4	B41S14	B41S24	B41S34	B41S44	1	
16	5	B51S14	B51S24	B51S34		1	
32	3	B32S14	B32S24	B32S34		1	
32	4	B42S14	B42S24	B42S34	B42S44	1	
32	5	B52S14	B52S24	B52S34		1	



Plugs and socket outlets 7-poles (6P+E) can be used for various purposes.  
The possibility of creating leading or lagging contacts using shortened pins expands the areas of possible use:

- star-delta connection
- Dahlander circuit (pole switching)
- controlling
- signalling
- monitoring
- regulating
- locking and much more



Poles	7	7	7
Ampere	16	32	
IP	44	44	67
a	135	169	169
b	98	100	100
c	54	21	21
Weight [g/each]	214	288	320

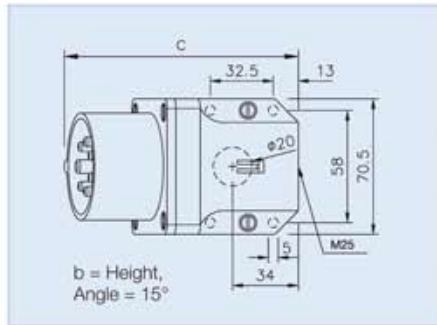
**Plug**

splash-proof IP44  
watertight IP67

- entry sleeve

All plugs are also available with **nickel-plated** contacts.  
Add a "V" instead of the second "S" to the article number e.g. S71V20.

Voltage		230 V~	400 V~	Degree of protection	Notice	Packing unit
Frequency		50/60 Hz	50/60 Hz			
Designation		9h	6h			
Ampere	Poles	Article no.	Article no.	IP		
16	7	S71S20	S71S30	44	short sleeve	10
32	7	S72S20	S72S30	44	cable gland	10
32	7	S72S25	S72S35	67	cable gland	10

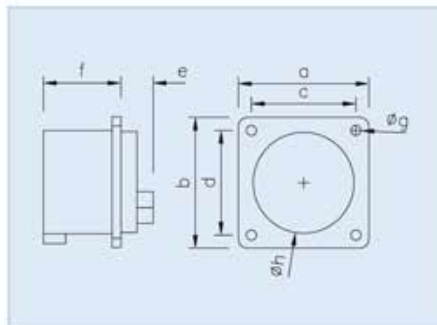


<b>Poles</b>	<b>7</b>	<b>7<sup>a</sup></b>
<b>Ampere</b>	<b>16</b>	<b>16</b>
<b>IP</b>	<b>44</b>	<b>44</b>
<b>b</b>	79	117
<b>c</b>	123	165
<b>M</b>	25	25
<b>Weight [g/each]</b>	236	345

**Wall-mounted inlet**  
splash-proof IP44

All wall-mounted inlets are also available with **nickel-plated** contacts.  
Add a "V" instead of the "S" to the article number e.g. G71V20.

		230 V~	400 V~		
		50/60 Hz	50/60 Hz		
		9h	6h		
Ampere	Poles	Article no.	Article no.	Notice	Packing unit
16	7	G71S20	G71S30		10
16	7 <sup>a</sup>	G71S21	G71S31	large housing, can be looped through	5



<b>Poles</b>	<b>7</b>
<b>Ampere</b>	<b>16</b>
<b>IP</b>	<b>44</b>
<b>a and b</b>	70
<b>c and d</b>	56
<b>e</b>	25
<b>f</b>	42
<b>g</b>	5
<b>h</b>	54
<b>Weight [g/each]</b>	145

**Appliance inlet, straight**  
splash-proof IP44

<sup>a</sup> flange = 75 x 75 mm,  
Hole spacing 60 x 60 mm

All appliance inlets are also available with **nickel-plated** contacts.  
Add a "V" instead of the "S" to the article number e.g. A71V22.

		230 V~	400 V~		
		50/60 Hz	50/60 Hz		
		9h	6h		
Ampere	Poles	Article no.	Article no.	Packing unit	
16	7	A71S22	A71S32	10	
16	7 <sup>a</sup>	A71S23	A71S33	10	





### Angle plug

splash-proof IP44

- short entry sleeve at the side

This angle plug is also available with **nickel-plated** contacts: article number S71V32.

	<b>Poles</b>	<b>7</b>
	<b>Ampere</b>	<b>16</b>
	<b>IP</b>	<b>44</b>
	<b>a</b>	101
	<b>b</b>	65
	<b>c</b>	98
	<b>Weight [g/each]</b>	146

<b>Voltage</b>		<b>400 V~</b>	
<b>Frequency</b>		<b>50/60 Hz</b>	
<b>Designation</b>		<b>6h</b>	
<b>Ampere</b>	<b>Poles</b>	<b>Article no.</b>	<b>Packing unit</b>
<b>16</b>	<b>7</b>	<b>S71S32</b>	<b>10</b>

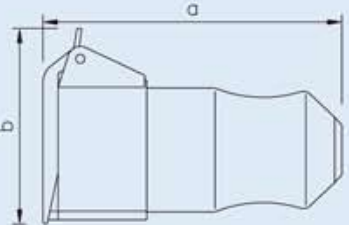


### Connector

splash-proof IP44  
watertight IP67

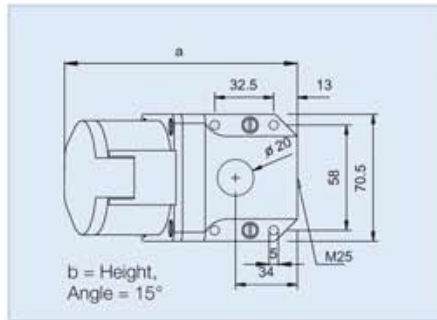
- entry sleeve

All connectors are also available with **nickel-plated** contacts. Add a "V" instead of the "S" to the article number e.g. K71V20.

	<b>Poles</b>	<b>7</b>	<b>7</b>	<b>7</b>
	<b>Ampere</b>	<b>16</b>	<b>32</b>	
	<b>IP</b>	<b>44</b>	<b>44</b>	<b>67</b>
	<b>a</b>	145	226	226
	<b>b</b>	90	99	99
	<b>Weight [g/each]</b>	236	320	388

<b>Voltage</b>		<b>230 V~</b>	<b>400 V~</b>	<b>Degree of protection</b>	<b>Notice</b>	<b>Packing unit</b>
<b>Frequency</b>		<b>50/60 Hz</b>	<b>50/60 Hz</b>			
<b>Designation</b>		<b>9h</b>	<b>6h</b>			
<b>Ampere</b>	<b>Poles</b>	<b>Article no.</b>	<b>Article no.</b>	<b>IP</b>		
<b>16</b>	<b>7</b>	K71S20	K71S30	44	short sleeve	<b>10</b>
<b>32</b>	<b>7</b>	K72S20	K72S30	44	cable gland	<b>10</b>
<b>32</b>	<b>7</b>	K72S25	K72S35	67	cable gland	<b>10</b>

# CEE Plugs and socket outlets – 7-poles



<b>Poles</b>	<b>7</b>	<b>7<sup>a</sup></b>	<b>7</b>	<b>7</b>
<b>Ampere</b>	<b>16</b>		<b>32</b>	
<b>IP</b>	<b>44</b>	<b>44</b>	<b>44</b>	<b>67</b>
<b>a</b>	129	170	143	162
<b>b</b>	96	135	104	110
<b>Hole spacing</b>	58 x 32,5	58 x 32,5	58 x 32,5	58 x 32,5
<b>M</b>	25	25	25	25
<b>Weight [g/each]</b>	268	374	340	340

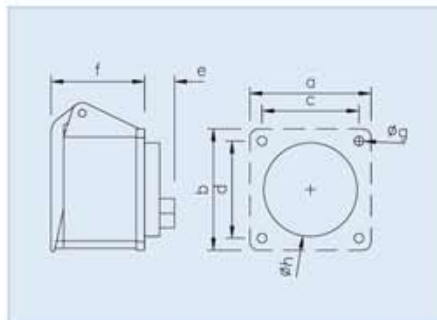
### Wall-mounted socket outlet

splash-proof IP44  
watertight IP67

- cable entry above

All wall-mounted socket outlets are also available with **nickel-plated** contacts.  
Add a "V" instead of the "S" to the article number e.g. D71V20.

		<b>230 V~</b>	<b>400 V~</b>	<b>Degree of protection</b>	<b>Notice</b>	<b>Packing unit</b>
		<b>50/60 Hz</b>	<b>50/60 Hz</b>			
		<b>9h</b>	<b>6h</b>			
<b>Ampere</b>	<b>Poles</b>	<b>Article no.</b>	<b>Article no.</b>	<b>IP</b>		<b>Packing unit</b>
<b>16</b>	<b>7</b>	D71S20	D71S30	44		<b>10</b>
<b>16</b>	<b>7<sup>a</sup></b>	D71S22	D71S32	44	large housing, can be looped through	<b>5</b>
<b>32</b>	<b>7</b>	D72S20	D72S30	44		<b>5</b>
<b>32</b>	<b>7</b>	D72S25	D72S35	67		<b>5</b>



<b>Poles</b>	<b>7</b>	<b>7</b>	<b>7</b>
<b>Ampere</b>	<b>16</b>	<b>32</b>	
<b>a and b</b>	70	75	75
<b>c and d</b>	56	60	60
<b>e</b>	28	19	19
<b>f</b>	45	62	65
<b>g</b>	5,5	5,5	5,5
<b>h</b>	56	60	60
<b>Weight [g/each]</b>	179	305	325

### Panel-mounted socket outlet, straight

splash-proof IP44  
watertight IP67

All panel-mounted socket outlets are also available with **nickel-plated** contacts.  
Add a "V" instead of the "S" to the article number e.g. F71V201.

		<b>230 V~</b>	<b>400 V~</b>	<b>Degree of protection</b>	<b>Packing unit</b>
		<b>50/60 Hz</b>	<b>50/60 Hz</b>		
		<b>9h</b>	<b>6h</b>		
<b>Ampere</b>	<b>Poles</b>	<b>Article no.</b>	<b>Article no.</b>	<b>IP</b>	<b>Packing unit</b>
<b>16</b>	<b>7</b>	F71S201	F71S301	44	<b>5</b>
<b>32</b>	<b>7</b>	F72S200	F72S300	44	<b>5</b>
<b>32</b>	<b>7</b>	F72S250	F72S350	67	<b>5</b>



- enclosure in PC/ABS version
- nickel-plated contacts
- container wall-mounted socket outlets with window for 5 modules (cap installation size 45 mm)
- mechanical locking: after insertion and switching on, the **plug is locked** after switching off and removing the plug, **the switch is locked**
- all components are mounted on the base
- large connection space
- wiring can be looped through
- wired
- can be locked with a padlock when switched off (40 mm)
- other configuration (switch below, window above) upon request

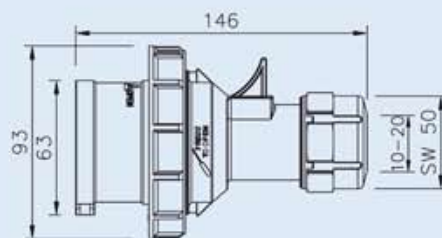
For an exact description, see "Switched interlocked wall-mounted socket outlets" from page 80.



**Container plug**  
watertight IP67

- screw terminals
- quick release locking system (turn2fix)
- 32A 4p 3h 440V
- nickel-plated contacts

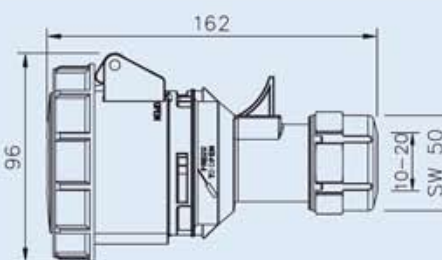
Packing unit: 10 pieces  
**Article no. S42V05**



**Container connector**  
watertight IP67

- screw terminals
- quick release locking system (turn2fix)
- 32A 4p 3h 440V
- nickel-plated contacts

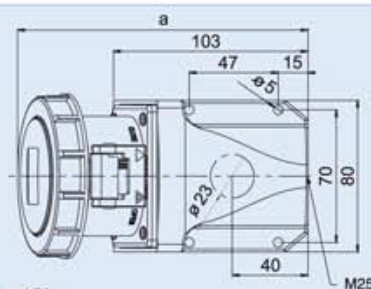
Packing unit: 10 pieces  
**Article no. K42V05**



**Container wall-mounted socket outlet**  
watertight IP67

- screw terminals
- quick release locking system (turn2fix)
- 32A 4p 3h 440V
- nickel-plated contacts

Packing unit: 5 pieces  
**Article no. D42V05**



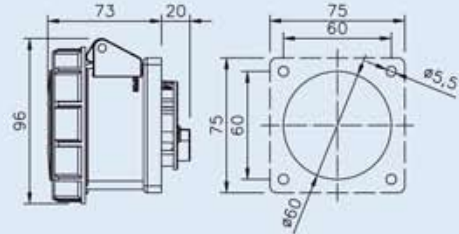
b = Height, Angle = 15°



**Container panel-mounted socket outlet, straight**  
watertight IP67

- screw terminals
- quick release locking system (turn2fix)
- 32A 4p 3h 440V
- nickel-plated contacts

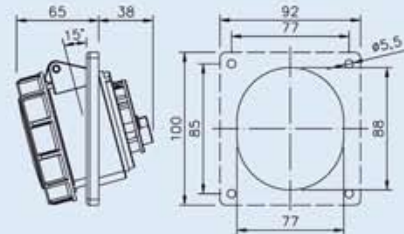
Packing unit: 10 pieces  
**Article no.** F42V050



**Container panel-mounted socket outlet, angled**  
watertight IP67

- screw terminals
- quick release locking system (turn2fix)
- 32A 4p 3h 440V

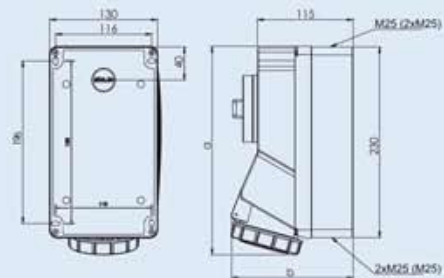
Packing unit: 10 pieces  
**Article no.** F42V070



**Container wall-mounted socket outlet**  
watertight IP67

- 32A 4p 3h 440V
- nickel-plated contacts
- up to 3 x M25
- with mechanical locking
- lockable with padlock

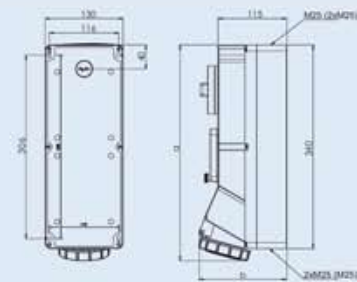
Packing unit: 1 piece  
**Article no.** C42S052



**Container wall-mounted socket outlet**  
watertight IP67

- 32A 4p 3h 440V
- nickel-plated contacts
- with fuse element D02-3p 440V
- up to 3 x M25
- with mechanical locking
- lockable with padlock

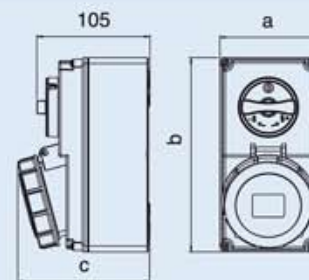
Packing unit: 1 piece  
**Article no.** C42S070



**Container wall-mounted socket outlet**  
watertight IP67

- 32A 4p 3h 440V
- with mechanical locking
- lockable with padlock

Packing unit: 1 piece  
**Article no.** C42S051





## CEE Multiple socket outlets

according to IEC 60309, EN 60309, VDE 0623



**Multiple socket outlet \***  
splash-proof IP44

- quick release locking system (turn2fix)
- nickel-plated contacts
- also available in 110 V

**turn2fix**

**Input:**  
1 CEE plug 16A 3p 230V  
**Output:**  
3 CEE socket outlets 16A 3p 230V

Packing unit: 5 pieces  
**Article no.** 3K3120E



**Multiple socket outlet \***  
watertight IP67

- quick release locking system (turn2fix)
- nickel-plated contacts
- also available in 110 V

**turn2fix**

**Input:**  
1 CEE plug 16A 3p 230V  
**Output:**  
3 CEE socket outlets 16A 3p 230V

Packing unit: 5 pieces  
**Article no.** 3K3125E



**Multiple socket outlet \***  
splash-proof IP44

- quick release locking system (turn2fix)
- nickel-plated contacts
- also available with CEE 7/V, Danish and British protective contact socket

**turn2fix**

**Input:**  
1 CEE plug 16A 3p 230V  
**Output:**  
2 CEE socket outlets 16A 3p 230V  
1 SCHUKO socket outlet 16A 250V

Packing unit: 5 pieces  
**Article no.** Z30.07



**Multiple socket outlet**  
splash-proof IP44

- screw terminals
- quick release locking system (turn2fix)
- nickel-plated contacts
- also available in 110 V

**turn2fix**

**Input:**  
1 x turn2fix cable gland  
pre-wired to terminals  
**Output:**  
3 CEE socket outlets 16A 3p 230V

Packing unit: 5 pieces  
**Article no.** 3K3120

\* Export version (not permitted in Germany and Austria!)

## CEE Multiple socket outlets

according to IEC 60309, EN 60309, VDE 0623



**Multiple socket outlet**  
watertight IP67

- screw terminals
- quick release locking system (turn2fix)
- nickel-plated contacts
- also available in 110 V

**turn2fix**

**Input:**

1 x turn2fix-cable gland

**Output:**

3 CEE socket outlets 16A 3p 230V

Packing unit: 5 pieces

**Article no.** 3K3125



**Multiple socket outlet with connecting cable**  
splash-proof IP44  
watertight IP67

- quick release locking system (turn2fix)
- nickel-plated contacts
- also available in 110 V

**turn2fix**

**Input:**

1.5 m cable with plug

16A 3p 230V

**Output:**

3 CEE socket outlets 16A 3p 230V

**splash-proof IP44:**

Packing unit: 5 pieces

**Article no.** 1733000

**watertight IP67:**

Packing unit: 5 pieces

**Article no.** 1733005



## CEE Adapter

acc. to IEC 60309, EN 60309, VDE 0623



**Adapter**

splash-proof IP44

**Input:**

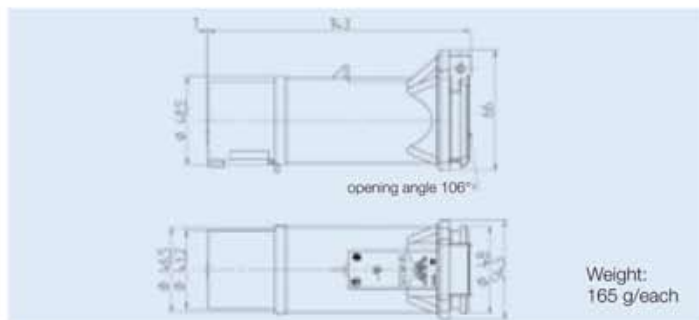
CEE plug 3 pole, 16 A, 230 V,  
6h blue

**Output:**

socket outlet 1461965  
acc. to SEV 5934 - type 23 / 16A

Packing unit: 5 pieces

**Article no.** SEVK23S



**Adapter**

splash-proof IP44

**Input:**

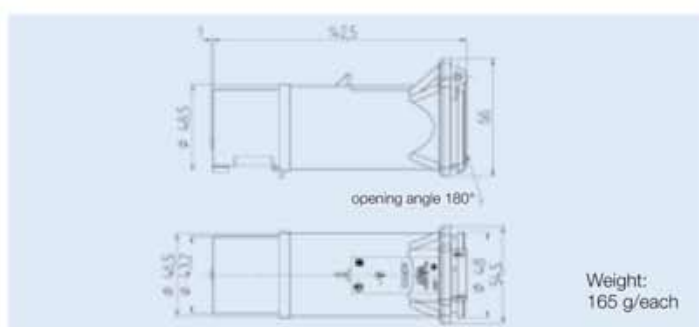
CEE plug 3 pole, 16A, 230V,  
6h blue

**Output:**

SCHUKO socket outlet 1461050

Packing unit: 5 pieces

**Article no.** ADP050



**Adapter**

splash-proof IP44

**Input:**

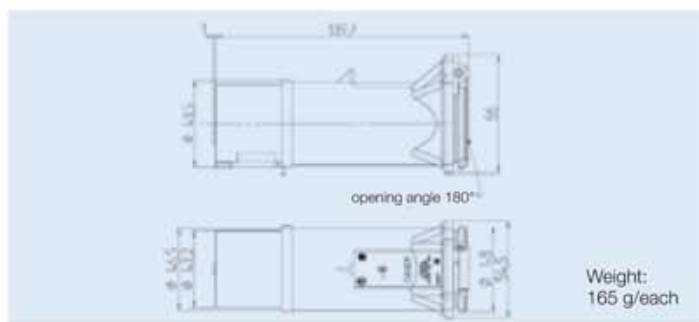
CEE plug 3 pole, 16 A, 230 V,  
6h blue

**Output:**

socket outlet 1462052  
with earthing system acc. to CEE/V  
and higher protection cover  
(child protection)

Packing unit: 5 pieces

**Article no.** ADP052



## CEE Adapter

according to IEC 60309, EN 60309, VDE 0623



**Adapter \***  
**Protective contact plug**  
**2 earthing systems/**  
**CEE socket outlet**  
IP20

- nickel-plated contacts

**Input:**  
1 Plug 16A 2p + E 250V  
(with 2 earthing systems)  
**Output:**  
1 CEE socket outlet 16A 3p 230V

Packing unit: 10 pieces  
**Article no.** ADPS312

**turn2fix**



**Adapter \***  
**Protective contact plug**  
**Italian/CEE socket outlet**  
IP20

- nickel-plated contacts

**Input:**  
1 Italian plug P17  
**Output:**  
1 CEE socket outlet 16A 3p 230V

Packing unit: 10 pieces  
**Article no.** ADPI312

**turn2fix**



**Adapter \***  
**CEE plug 16A 3p/**  
**Protective contact socket outlet**  
**Italian**  
IP20

- CEE plug with nickel-plated contacts

**Input:**  
1 CEE plug 16A 3p 230V  
**Output:**  
2 Italian socket outlets P17/11

Packing unit: 10 pieces  
**Article no.** ADP752

**turn2fix**



**Adapter \***  
**CEE-Plug 16A 3p/**  
**Protective contact socket outlet**  
**Italian**  
IP20

- CEE plug with nickel-plated contacts

**Input:**  
1 CEE plug 16A 3p 230V  
**Output:**  
1 Italian socket outlet P30/17

Packing unit: 10 pieces  
**Article no.** ADP751

**turn2fix**



## CEE Inlet with switch

according to IEC 60309, EN 60309, VDE 0623



**CEE ON/OFF switch ML0 - Plug 16A 5p 400V**

splash-proof IP44

**Cable gland:**  
M25 13-18 mm

**without status display**

Packing unit: 1 piece

**Article no.** E51S30

**with status display**

Packing unit: 1 piece

**Article no.** E51S31



**CEE ON/OFF switch ML0 - Plug 32A 5p 400V**

splash-proof IP44

**Cable gland:**  
M32 18-25 mm

**without status display**

Packing unit: 1 piece

**Article no.** E52S30

**with status display**

Packing unit: 1 piece

**Article no.** E52S31



**CEE ON/OFF switch ML0 - Plug 16A 5p 400V with phase inverter**

splash-proof IP44

**Cable gland:**  
M25 13-18 mm

**without status display**

Packing unit: 1 piece

**Article no.** E51S30P

**with status display**

Packing unit: 1 piece

**Article no.** E51S31P

**with rotary field control**

Packing unit: 1 piece

**Article no.** E51S32P



**CEE ON/OFF switch ML0 - Plug 32A 5p 400V with phase inverter**

splash-proof IP44

**Cable gland:**  
M32 18-25 mm

**without status display**

Packing unit: 1 piece

**Article no.** E52S30P

**with status display**

Packing unit: 1 piece

**Article no.** E52S31P

**with rotary field control**

Packing unit: 1 piece

**Article no.** E52S32P

\* Export version (not permitted in Germany and Austria!)

## CEE Inlet with switch

according to IEC 60309, EN 60309, VDE 0623



**CEE Reversing switch CA10 - Plug 16A 5p 400V**

splash-proof IP44

**Cable gland:**  
M25 13-18 mm

**without status display**

Packing unit: 1 piece

**Article no.** E51S30W

**with status display**

Packing unit: 1 piece

**Article no.** E51S31W



**CEE Reversing switch CA10 - Plug 32A 5p 400V**

splash-proof IP44

**Cable gland:**  
M32 18-25 mm

**without status display**

Packing unit: 1 piece

**Article no.** E52S30W

**with status display**

Packing unit: 1 piece

**Article no.** E52S31W



## CEE Low-voltage plugs and socket outlets

**Safety is of the utmost importance, especially for operations under difficult conditions. Protective extra-low voltage is a possible measure, whereby the highest nominal value for AC voltage is limited to 50 V.**

Plug connections for low voltages are used especially for work in an environment of conductive materials such as in or on tanks, pipes, containers, metal scaffolding and under other similar conditions where freedom of movement is limited.

Choose the highest quality, and thus products from ABL SURSUM.



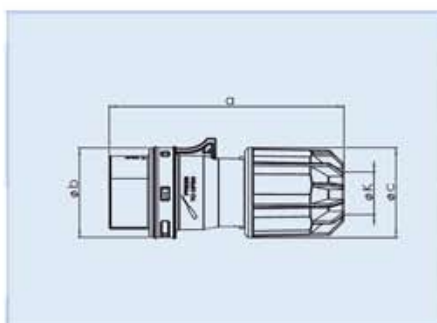
The turn2fix low-voltage series contains a complete range of plugs, connectors and mounting sockets that are suitable for any installation and were especially developed for the conditions listed above. Connecting the cable is fast, safe and can be done without tools.

### Advantages:

- screwless centric strain relief for quick installation with user-friendly screw connection
- quick and easy cable entry
- strain relief and sealing of the cable by tightly turning the screw connection
- 100% sealing of the cable entry
- large connection space
- multi-ramp locking system
- suitable for cable types with diameters from 8 to 24 mm

# CEE Low-voltage plugs and socket outlets

according to IEC 60309, EN 60309, VDE 0623



Poles	2	3	2	3
Ampere	16		32	
a	135	135	135	135
b	51	51	51	51
c	51	51	51	51
K	8-24	8-24	8-24	8-24
Weight [g/each]	142	154	142	154

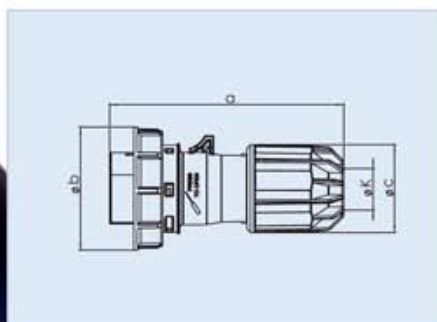
## Plug

splash-proof IP44

- screw terminals
- quick release locking system (turn2fix)
- nickel-plated contacts

**turn2fix**

Voltage	24 V~	42 V~	24/42 V~	24/42 V~	24/42 V~	24/42 V~	24/42 V~	24/42 V=	
Frequency	50/60 Hz	50/60 Hz	100-200 Hz	300 Hz	400 Hz	401-500 Hz		DC	
Designation	without auxiliary notch	12h	4h	2h	3h	11h		10h	
Ampere	Pole	Article no.	Article no.	Article no.	Article no.	Article no.	Article no.	Article no.	Packing unit
16	2	S01S20	S01S60	S01S10	S01S90	S01S00	S01S40	S01S80	10
16	3	S11S20	S11S60	S11S10	S11S90	S11S00	S11S40	S11S80	10
32	2	S02S20	S02S60	S02S10	S02S90	S02S00	S02S40	S02S80	10
32	3	S12S20	S12S60	S12S10	S12S90	S12S00	S12S40	S12S80	10



Poles	2	3	2	3
Ampere	16		32	
a	135	135	135	135
b	71	71	71	71
c	51	51	51	51
K	8-24	8-24	8-24	8-24
Weight [g/each]	157	169	157	169

## Plug

watertight IP67

- screw terminals
- quick release locking system (turn2fix)
- nickel-plated contacts

**turn2fix**

Voltage	24 V~	42 V~	24/42 V~	24/42 V~	24/42 V~	24/42 V~	24/42 V=		
Frequency	50/60 Hz	50/60 Hz	100-200 Hz	300 Hz	400 Hz	401-500 Hz		DC	
Designation	without auxiliary notch	12h	4h	2h	3h	11h		10h	
Ampere	Pole	Article no.	Article no.	Article no.	Article no.	Article no.	Article no.	Article no.	Packing unit
16	2	S01S25	S01S65	S01S15	S01S95	S01S05	S01S45	S01S85	10
16	3	S11S25	S11S65	S11S15	S11S95	S11S05	S11S45	S11S85	10
32	2	S02S25	S02S65	S02S15	S02S95	S02S05	S02S45	S02S85	10
32	3	S12S25	S12S65	S12S15	S12S95	S12S05	S12S45	S12S85	10





	<b>Poles</b>	<b>2</b>	<b>3</b>	<b>2</b>	<b>3</b>
	<b>Ampere</b>	<b>16</b>		<b>32</b>	
	<b>a</b>	150	150	150	150
	<b>b</b>	75	75	75	75
	<b>c</b>	51	51	51	51
	<b>K</b>	8-24	8-24	8-24	8-24
	<b>Weight [g/each]</b>	177	196	177	196

**Connector**

splash-proof IP44

- screw terminals
- quick release locking system (turn2fix)
- nickel-plated contacts



		24 V~	42 V~	24/42 V~	24/42 V~	24/42 V~	24/42 V~	24/42 V=	
		50/60 Hz	50/60 Hz	100-200 Hz	300 Hz	400 Hz	401-500 Hz	DC	
		without auxiliary notch	12h	4h	2h	3h	11h	10h	
Ampere	Poles	Article no.	Article no.	Article no.	Article no.	Article no.	Article no.	Article no.	Packing unit
16	2	K01S20	K01S60	K01S10	K01S90	K01S00	K01S40	K01S80	10
16	3	K11S20	K11S60	K11S10	K11S90	K11S00	K11S40	K11S80	10
32	2	K02S20	K02S60	K02S10	K02S90	K02S00	K02S40	K02S80	10
32	3	K12S20	K12S60	K12S10	K12S90	K12S00	K12S40	K12S80	10



	<b>Poles</b>	<b>2</b>	<b>3</b>	<b>2</b>	<b>3</b>
	<b>Ampere</b>	<b>16</b>		<b>32</b>	
	<b>a</b>	150	150	150	150
	<b>b</b>	78	78	78	78
	<b>c</b>	51	51	51	51
	<b>K</b>	8-24	8-24	8-24	8-24
	<b>Weight [g/each]</b>	195	214	195	214

**Connector**

watertight IP67

- screw terminals
- quick release locking system (turn2fix)
- nickel-plated contacts



		24 V~	42 V~	24/42 V~	24/42 V~	24/42 V~	24/42 V~	24/42 V=	
		50/60 Hz	50/60 Hz	100-200 Hz	300 Hz	400 Hz	401-500 Hz	DC	
		without auxiliary notch	12h	4h	2h	3h	11h	10h	
Ampere	Poles	Article no.	Article no.	Article no.	Article no.	Article no.	Article no.	Article no.	Packing unit
16	2	K01S25	K01S65	K01S15	K01S95	K01S05	K01S45	K01S85	10
16	3	K11S25	K11S65	K11S15	K11S95	K11S05	K11S45	K11S85	10
32	2	K02S25	K02S65	K02S15	K02S95	K02S05	K02S45	K02S85	10
32	3	K12S25	K12S65	K12S15	K12S95	K12S05	K12S45	K12S85	10



	<b>Poles</b>	<b>2</b>	<b>2</b>
	<b>Ampere</b>	<b>16</b>	<b>32</b>
	<b>Flange a</b>	60	60
	<b>Flange b</b>	70	70
	<b>Hole spacing c</b>	47	47
	<b>Hole spacing d</b>	53	53
	<b>e</b>	19	19
	<b>f</b>	28	28
	<b>g</b>	5	5
	<b>h</b>	43	43
<b>Weight [g/each]</b>	112	112	

**Panel-mounted socket outlet,  
straight**

splash-proof IP44

All panel-mounted socket outlets are also available with **nickel-plated** contacts. Add a "V" instead of the "S" to the article number e.g. F01V202.

		24 V~	42 V~	24/42 V~	24/42 V~	24/42 V~	24/42 V~	24/42 V=	
		50/60 Hz	50/60 Hz	100-200 Hz	300 Hz	400 Hz	401-500 Hz	DC	
		without auxiliary notch	12h	4h	2h	3h	11h	10h	
Ampere	Pole	Article no.	Article no.	Article no.	Article no.	Article no.	Article no.	Article no.	Packing unit
16	2	F01S202	F01S602	F01S102	F01S902	F01S002	F01S402	F01S802	10
32	2	F02S202	F02S602	F02S102	F02S902	F02S002	F02S402	F02S802	10



	<b>Poles</b>	<b>3</b>	<b>3</b>
	<b>Ampere</b>	<b>16</b>	<b>32</b>
	<b>a and b</b>	55	55
	<b>c and d</b>	41	41
	<b>e</b>	19	19
	<b>f</b>	45	45
	<b>g</b>	5	5
	<b>h</b>	43	43
	<b>Weight [g/each]</b>	132	132

**Panel-mounted socket outlet,  
straight**

splash-proof IP44

All panel-mounted socket outlets are also available with **nickel-plated** contacts. Add a "V" instead of the "S" to the article number e.g. F11V204.

		24 V~	42 V~	24/42 V~	24/42 V~	24/42 V~	24/42 V~	24/42 V=	
		50/60 Hz	50/60 Hz	100-200 Hz	300 Hz	400 Hz	401-500 Hz	DC	
		without auxiliary notch	12h	4h	2h	3h	11h	10h	
Ampere	Pole	Article no.	Article no.	Article no.	Article no.	Article no.	Article no.	Article no.	Packing unit
16	3	F11S204	F11S604	F11S104	F11S904	F11S004	F11S404	F11S804	10
32	3	F12S204	F12S604	F12S104	F12S904	F12S004	F12S404	F12S804	10





	<b>Poles</b>	<b>2</b>	<b>3</b>	<b>2</b>	<b>3</b>
	<b>Ampere</b>	<b>16</b>		<b>32</b>	
	<b>a and b</b>	55	55	55	55
	<b>c and d</b>	45	45	45	45
	<b>e</b>	19	19	19	19
	<b>f</b>	41	41	41	41
	<b>g</b>	5	5	5	5
	<b>h</b>	43	43	43	43
	<b>Weight [g/each]</b>	112	132	112	132

**Panel-mounted socket outlet,  
straight**

splash-proof IP44

All panel-mounted socket outlets are also available with **nickel-plated** contacts. Add a "V" instead of the "S" to the article number e.g. F01V203.

		24 V~	42 V~	24/42 V~	24/42 V~	24/42 V~	24/42 V~	24/42 V~		
		50/60 Hz	50/60 Hz	100-200 Hz	300 Hz	400 Hz	401-500 Hz	DC		
		without auxiliary notch	12h	4h	2h	3h	11h	10h		
Ampere	Poles	Article no.	Article no.	Article no.	Article no.	Article no.	Article no.	Article no.	Article no.	Packing unit
16	2	F01S203	F01S603	F01S103	F01S903	F01S003	F01S403	F01S803		10
16	3	F11S203	F11S603	F11S103	F11S903	F11S003	F11S403	F11S803		10
32	2	F02S203	F02S603	F02S103	F02S903	F02S003	F02S403	F02S803		10
32	3	F12S203	F12S603	F12S103	F12S903	F12S003	F12S403	F12S803		10



	<b>Poles</b>	<b>2</b>	<b>3</b>	<b>2</b>	<b>3</b>
	<b>Ampere</b>	<b>16</b>		<b>32</b>	
	<b>a</b>	54	54	54	54
	<b>b</b>	60	60	60	60
	<b>c</b>	44	44	44	44
	<b>d</b>	44	44	44	44
	<b>e</b>	16	16	16	16
	<b>f</b>	51	51	51	51
	<b>g</b>	6	6	6	6
	<b>h</b>	42	42	42	42
	<b>Weight [g/each]</b>	119	138	119	138

**Panel-mounted socket outlet,  
straight**

splash-proof IP44

- screw terminals
- quick release locking system (turn2fix)
- nickel-plated contacts



		24 V~	42 V~	24/42 V~	24/42 V~	24/42 V~	24/42 V~	24/42 V~		
		50/60 Hz	50/60 Hz	100-200 Hz	300 Hz	400 Hz	401-500 Hz	DC		
		without auxiliary notch	12h	4h	2h	3h	11h	10h		
Ampere	Poles	Article no.	Article no.	Article no.	Article no.	Article no.	Article no.	Article no.	Article no.	Packing unit
16	2	F01S214	F01S614	F01S114	F01S914	F01S014	F01S414	F01S814		10
16	3	F11S214	F11S614	F11S114	F11S914	F11S014	F11S414	F11S814		10
32	2	F02S214	F02S614	F02S114	F02S914	F02S014	F02S414	F02S814		10
32	3	F12S214	F12S614	F12S114	F12S914	F12S014	F12S414	F12S814		10



	<b>Poles</b>	<b>2</b>	<b>3</b>	<b>2</b>	<b>3</b>
	<b>Ampere</b>	<b>16</b>		<b>32</b>	
<b>a</b>	106	106	106	106	
<b>b</b>	77	77	77	77	
<b>Weight [g/each]</b>	158	174	158	174	

**Wall-mounted inlet**

splash-proof IP44

- cable entry above, below or behind

All wall-mounted inlets are also available with **nickel-plated** contacts.  
Add a "V" instead of the "S" to the article number e.g. G01V20.

		24 V~	42 V~	24/42 V~	24/42 V~	24/42 V~	24/42 V~	24/42 V=	
		50/60 Hz	50/60 Hz	100-200 Hz	300 Hz	400 Hz	401-500 Hz	DC	
		without auxiliary notch	12h	4h	2h	3h	11h	10h	
Ampere	Poles	Article no.	Article no.	Article no.	Article no.	Article no.	Article no.	Article no.	Packing unit
16	2	G01S20	G01S60	G01S10	G01S90	G01S00	G01S40	G01S80	10
16	3	G11S20	G11S60	G11S10	G11S90	G11S00	G11S40	G11S80	10
32	2	G02S20	G02S60	G02S10	G02S90	G02S00	G02S40	G02S80	10
32	3	G12S20	G12S60	G12S10	G12S90	G12S00	G12S40	G12S80	10



	<b>Poles</b>	<b>2</b>	<b>3</b>	<b>2</b>	<b>3</b>
	<b>Ampere</b>	<b>16</b>		<b>32</b>	
<b>a and b</b>	70	70	70	70	
<b>c and d</b>	56	56	56	56	
<b>e</b>	19	19	19	19	
<b>f</b>	28	28	28	28	
<b>g</b>	5	5	5	5	
<b>h</b>	43	43	43	43	
<b>Weight [g/each]</b>	74	86	74	86	

**Appliance inlet, straight**

splash-proof IP44

Notice acc. to EN 60309: for correct use, a retaining lug or retaining slot is necessary.

All appliance inlets are also available with **nickel-plated** contacts.  
Add a "V" instead of the "S" to the article number e.g. A01V22.

		24 V~	42 V~	24/42 V~	24/42 V~	24/42 V~	24/42 V~	24/42 V=	
		50/60 Hz	50/60 Hz	100-200 Hz	300 Hz	400 Hz	401-500 Hz	DC	
		without auxiliary notch	12h	4h	2h	3h	11h	10h	
Ampere	Poles	Article no.	Article no.	Article no.	Article no.	Article no.	Article no.	Article no.	Packing unit
16	2	A01S22	A01S62	A01S12	A01S92	A01S02	A01S42	A01S82	10
16	3	A11S22	A11S62	A11S12	A11S92	A11S02	A11S42	A11S82	10
32	2	A02S22	A02S62	A02S12	A02S92	A02S02	A02S42	A02S82	10
32	3	A12S22	A12S62	A12S12	A12S92	A12S02	A12S42	A12S82	10





	<b>Poles</b>	<b>2</b>	<b>3</b>	<b>2</b>	<b>3</b>
	<b>Ampere</b>	<b>16</b>		<b>32</b>	
	<b>a</b>	119	119	119	119
	<b>b</b>	84,5	84,5	84,5	84,5
<b>Weight [g/each]</b>		194	214	194	214

**Wall-mounted socket outlet**  
splash-proof IP44

- cable entry above, below or behind

All wall-mounted socket outlets are also available with **nickel-plated** contacts.

Add a "V" instead of the "S" to the article number e.g. D01V20.

		24 V~	42 V~	24/42 V~	24/42 V~	24/42 V~	24/42 V~	24/42 V=		
		50/60 Hz	50/60 Hz	100-200 Hz	300 Hz	400 Hz	401-500 Hz	DC		
		without auxiliary notch	12h	4h	2h	3h	11h	10h		
Ampere	Pole	Article no.	Article no.	Article no.	Article no.	Article no.	Article no.	Article no.	Article no.	Packing unit
16	2	D01S20	D01S60	D01S10	D01S90	D01S00	D01S40	D01S80		10
16	3	D11S20	D11S60	D11S10	D11S90	D11S00	D11S40	D11S80		10
32	2	D02S20	D02S60	D02S10	D02S90	D02S00	D02S40	D02S80		10
32	3	D12S20	D12S60	D12S10	D12S90	D12S00	D12S40	D12S80		10



	<b>Poles</b>	<b>2</b>	<b>3</b>	<b>2</b>	<b>3</b>	
	<b>Ampere</b>	<b>16</b>		<b>32</b>		
	<b>a and b</b>	70	70	70	70	
	<b>c and d</b>	56	56	56	56	
	<b>e</b>	19	19	19	19	
	<b>f</b>	40	40	40	40	
	<b>g</b>	5,5	5,5	5,5	5,5	
	<b>h</b>	43	43	43	43	
	<b>Weight [g/each]</b>		112	132	112	132

**Panel-mounted socket outlet, straight**

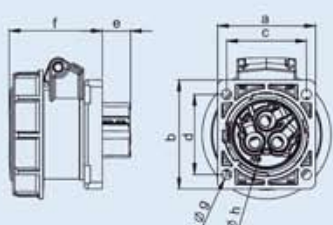
splash-proof IP44

All panel-mounted socket outlets are also available with **nickel-plated** contacts.

Add a "V" instead of the "S" to the article number e.g. F01V201.

		24 V~	42 V~	24/42 V~	24/42 V~	24/42 V~	24/42 V~	24/42 V=		
		50/60 Hz	50/60 Hz	100-200 Hz	300 Hz	400 Hz	401-500 Hz	DC		
		without auxiliary notch	12h	4h	2h	3h	11h	10h		
Ampere	Pole	Article no.	Article no.	Article no.	Article no.	Article no.	Article no.	Article no.	Article no.	Packing unit
16	2	F01S201	F01S601	F01S101	F01S901	F01S001	F01S401	F01S801		10
16	3	F11S201	F11S601	F11S101	F11S901	F11S001	F11S401	F11S801		10
32	2	F02S201	F02S601	F02S101	F02S901	F02S001	F02S401	F02S801		10
32	3	F12S201	F12S601	F12S101	F12S901	F12S001	F12S401	F12S801		10



	Poles	2	3	2	3
	Ampere	16		32	
a	54	54	54	54	
b	60	60	60	60	
c	44	44	44	44	
d	44	44	44	44	
e	16	16	16	16	
f	51	51	51	51	
g	6	6	6	6	
h	42	42	42	42	
<b>Weight [g/each]</b>	137	156	137	156	

**Panel-mounted socket outlet,  
straight**

watertight IP67

- screw terminals
- quick release locking system (turn2fix)
- nickel-plated contacts



		24 V~	42 V~	24/42 V~	24/42 V~	24/42 V~	24/42 V~	24/42 V=	
		50/60 Hz	50/60 Hz	100-200 Hz	300 Hz	400 Hz	401-500 Hz	DC	
		without auxiliary notch	12h	4h	2h	3h	11h	10h	
Ampere	Poles	Article no.	Article no.	Article no.	Article no.	Article no.	Article no.	Article no.	Packing unit
16	2	F01S254	F01S654	F01S154	F01S954	F01S054	F01S454	F01S854	10
16	3	F11S254	F11S654	F11S154	F11S954	F11S054	F11S454	F11S854	10
32	2	F02S254	F02S654	F02S154	F02S954	F02S054	F02S454	F02S854	10
32	3	F12S254	F12S654	F12S154	F12S954	F12S054	F12S454	F12S854	10



## Well equipped for safety when on the move

**Maximum mobility and optimal electric supply  
are two factors that are indivisible today.**

Those travelling with caravans, campers or boats do not want to do without comforts of home and want to utilise the modern features available at moorings and camping sites.

CEE plugs and socket outlets provide the ideal solution at the highest level of quality and safety for these special applications. Our products also prove themselves with their flexibility and versatility of use.

For caravans, campers and boats, ABL SURSUM also offers a complete range of products for all other types of supply available such as gas, water or even antenna signals.

We would be happy to show you all the possibilities.



# Caravan and boat Plugs and socket outlets



### Caravan wall-mounted inlet

splash-proof IP44

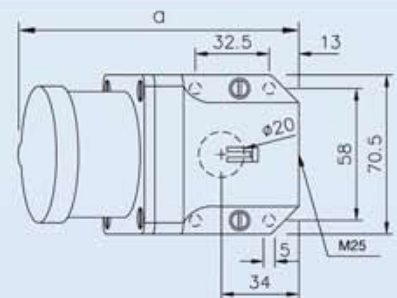
- with self-closing hinged lid with seal, 16A 3p 230V

**Article no.** G31S21

Packing unit: 10 pieces

#### **nickel-plated contacts:**

Article no. G31V21



b=Height  
Angle=15°  
a: 128 mm  
b: 92 mm  
Weight.: 240 gr



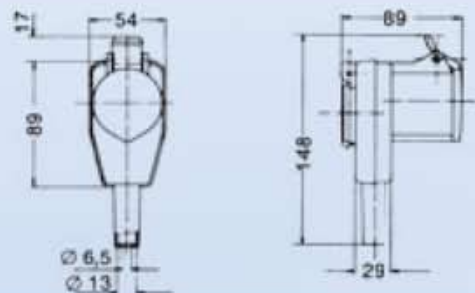
### Caravan angle connector

splash-proof IP44

- with integrated SCHUKO socket outlet 16A 3p 230V

**Article no.** 1072050

Packing unit: 10 pieces



### Caravan adapter

IP20

- SCHUKO plug with 2 earthing systems / CEE socket outlet
- nickel-plated contacts

**Article no.** ADPS312

Packing unit: 10 pieces

**turn2fix**

#### **Input:**

1 plug 16A 2p+E 250V  
(with 2 earthing systems)

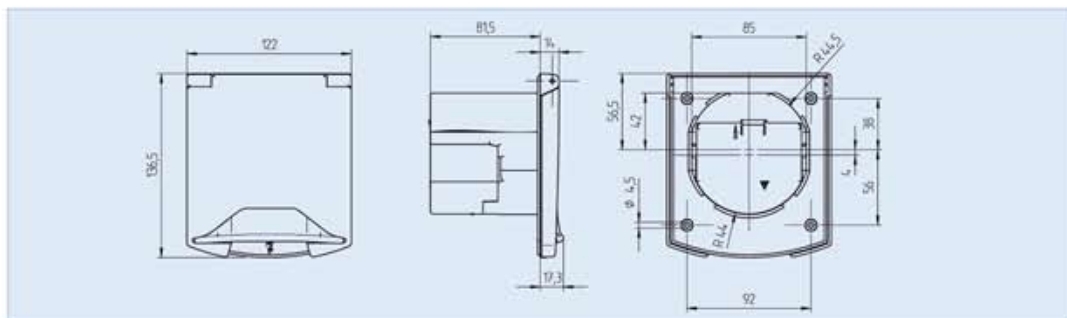
#### **Output:**

1 CEE socket outlet 16A 3p 230V





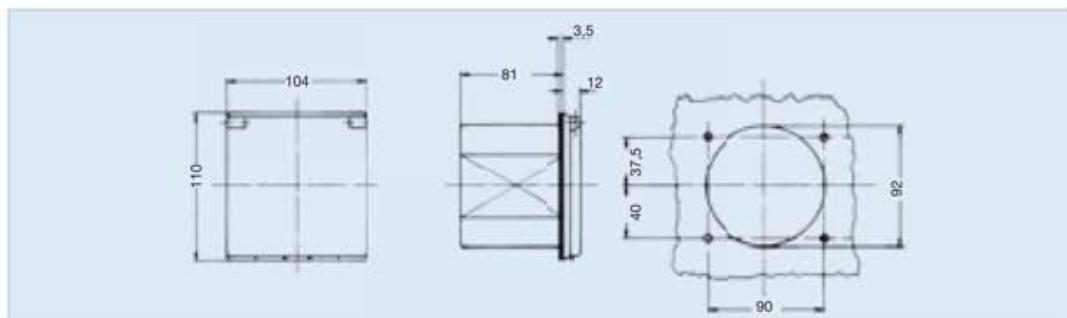
**Infeed plug**  
splash-proof IP44  
UV-resistant



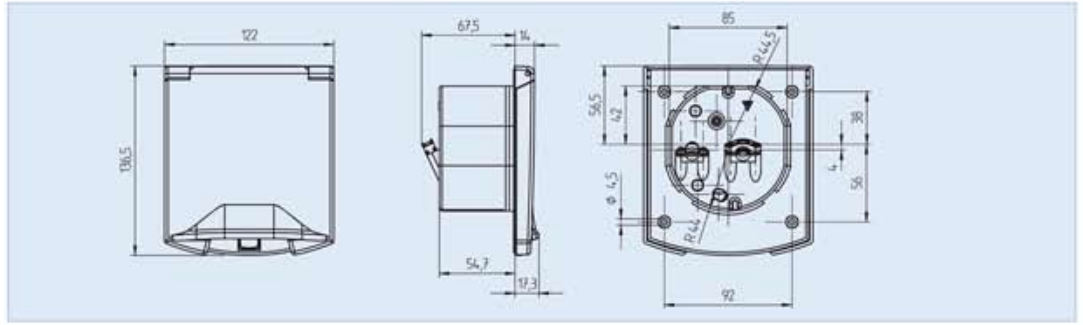
<b>Voltage</b>		<b>230 V~</b>			
<b>Designation</b>		<b>6h</b>			
<b>Ampere</b>	<b>Poles</b>	<b>Article no.</b>	<b>Colour</b>	<b>Weight [g/each]</b>	<b>Packing unit</b>
16	3	1164200	black	264	10
16	3	1164010	white	264	10



**Infeed plug**  
splash-proof IP44



<b>Voltage</b>		<b>230 V~</b>			
<b>Designation</b>		<b>6h</b>			
<b>Ampere</b>	<b>Poles</b>	<b>Article no.</b>	<b>Colour</b>	<b>Weight [g/each]</b>	<b>Packing unit</b>
16	3	1154200	black	213	10
16	3	1154210	white	213	10

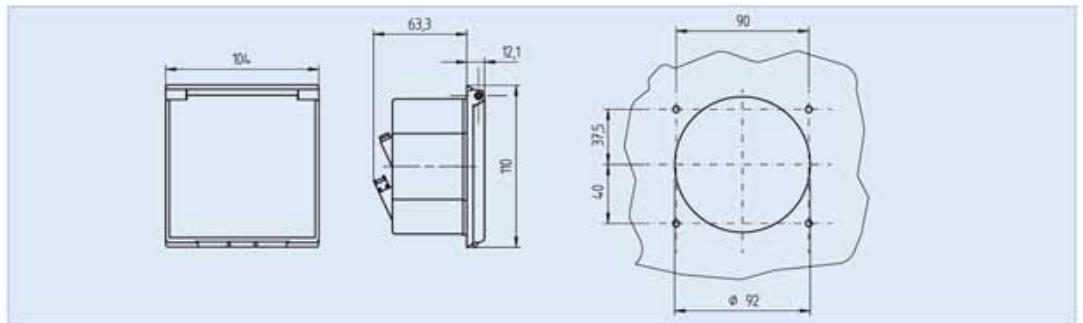


**Multifunctional socket**  
splash-proof IP44

12 V DC socket outlet  
SAT socket outlet  
Antenna socket outlet  
SCHUKO socket outlet or  
socket outlet according to CEE 7/V  
UV-resistant

Type of socket outlet 230V	Ampere	Volt	Article no.	Colour	Weight [g/each]	Packing unit
<b>SCHUKO</b>	16	230	1165010	white	274	10
<b>Socket outlet acc. to CEE 7/V</b>	16	230	1165017	white	274	10
<b>British Standard acc. to 1363</b>	13	250	1165500	white	274	10

other country specific socket outlets available upon request



**Multifunctional socket**  
splash-proof IP44

12 V DC socket outlet  
SAT socket outlet  
Antenna socket outlet  
SCHUKO socket outlet

Type of socket 230V	Ampere	Volt	Article no.	Colour	Weight [g/each]	Packing unit
SCHUKO	16	230	1155010	white	185	10



## Where innovation is a tradition

Setting market standards with new developments has always been a fundamental concern for ABL SURSUM. Such is the idea behind the SCHUKO system, to this day one of the most popular plug connection systems in the world and the creation of ABL founder Albert Büttner.

The first screw-in circuit breaker with an electromagnetic release was created at SURSUM, founded in 1912 by Wilhelm Leyhausen. These two inventions were the prelude to a series of innovative developments which have given the two companies a central role in the annals of consumer electronics for decades.

In 1986 the two traditional medium-sized companies merged; plug connection specialist ABL and circuit breaker specialist SURSUM formed one highly productive company – now known as ABL SURSUM Bayerische Elektrozubehör GmbH & Co.KG.



## The product range of ABL SURSUM



Regardless of whether you need building installation, industrial installation, switchgear manufacturing or cable pre-assembly: Whatever you need, you can be sure that you will find the right solution in our extensive range of approx. 7,000 products.

If you need a specific solution, let us know – our experts will find it!

### New products for new market requirements

Even today, ABL SURSUM is continuously developing new innovative market-driven products to ensure constant development of installation technology.

We meet the daily installation demands for ever more effectiveness and speed with our screwless clamping technology "plug2power", to be found in our **miniature circuit breakers, our distribution boards, CEE plug connections, socket outlets and outlet boxes.**

Our new generation of miniature circuit breakers, with their completely new design and technology, are divided into the three product ranges S, SL and T, and allow us to offer you numerous advantages in terms of functionality, compatibility, and quality. This has created an ideal complete system for the wide-ranging installation requirements for both craftsmen and industry. These products are so attractive because of the low height, clear design, clearly legible labels and the new mounting system, which allows for removing from a busbar combination - below ("singlefix") with the S and SL series and both above and below with the T series ("twinfix").



Miniature circuit breakers are also available as UL 508 and CSA-22.2 No.14 versions with the B, C, D, E, G and Z characteristics.







**RCCBs, RCBOs**

ABL SURSUM offers an extensive range of RCCBs to provide protection from dangerous shock currents or as fire-protection measures.

Regardless of whether you need a short-time delayed switch-off e.g. for the operation of suppressor capacitors or need a selective switch-off, whether it needs to be sensitive to pulsating current or universal current, you will find what you need in our range.

Combined RCBOs offer the possibility of implementing these person and line protection measures in one device.



**DIN rail panel products**

Off and toggle switches, 1 or multiple poles, with or without light signals, buttons, SCHUKO sockets for DIN-rails, installation/storage/control and time relays, mechanical impulse switches, touch dimmers, network activators, installation contactors, staircase lighting timers, time switches and transformers – our range of DIN rail panel products is as varied as the requirements of modern domestic installation.

**MADE IN GERMANY** 



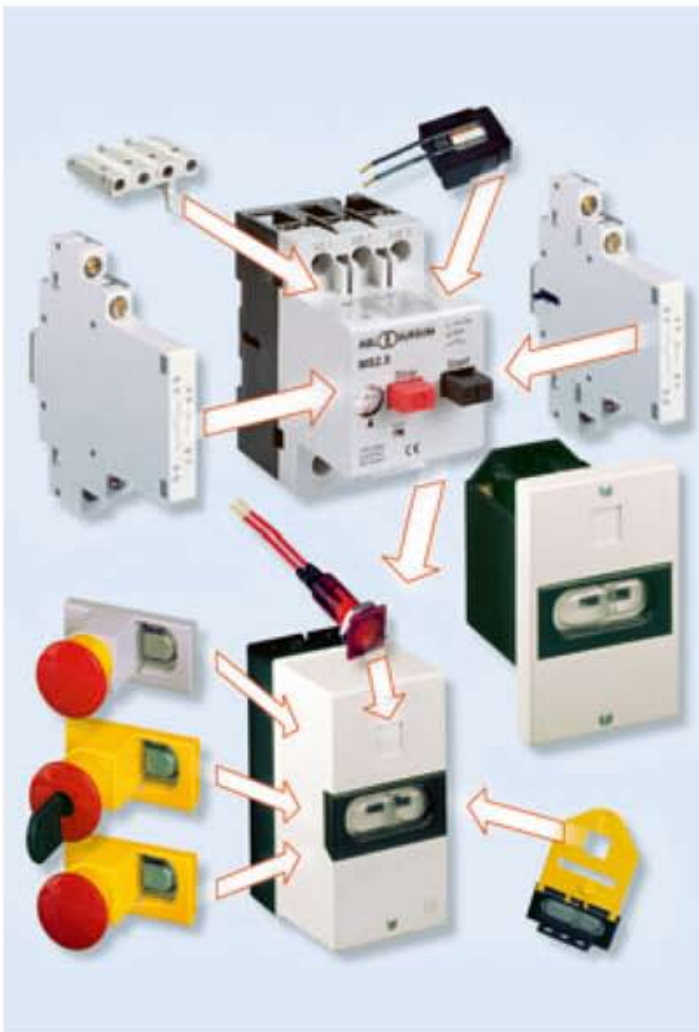
Article no.	Page	Article no.	Page	Article no.	Page
1072050	115	A31S34	36	A33S97	38
1154200	116	A31S36	37	A34S15	38
1154210	116	A31S51	37	A34S17	38
1155010	117	A31S52	35	A34S25	38
1164010	116	A31S53	36	A34S27	38
1164200	116	A31S54	36	A34S35	38
1165010	117	A31S56	37	A34S37	38
1165017	117	A31S81	37	A34S55	38
1165500	117	A31S82	35	A34S57	38
1733000	101	A31S83	36	A34S85	38
1733005	101	A31S84	36	A34S87	38
3K3120	100	A31S86	37	A34S95	38
3K3120E	100	A31S91	37	A34S97	38
3K3125	101	A31S92	35	A41S11	37
3K3125E	100	A31S93	36	A41S12	35
A01S02	109	A31S94	36	A41S13	36
A01S12	109	A31S96	37	A41S14	36
A01S22	109	A31V23G	78	A41S16	37
A01S42	109	A31V26G	78	A41S21	37
A01S62	109	A32S11	37	A41S21P	42
A01S82	109	A32S12	35	A41S22	35
A01S92	109	A32S16	37	A41S23	36
A02S02	109	A32S21	37	A41S24	36
A02S12	109	A32S22	35	A41S26	37
A02S22	109	A32S26	37	A41S26P	42
A02S42	109	A32S31	37	A41S31	37
A02S62	109	A32S32	35	A41S31P	42
A02S82	109	A32S36	37	A41S32	35
A02S92	109	A32S51	37	A41S33	36
A11S02	109	A32S52	35	A41S34	36
A11S12	109	A32S56	37	A41S36	37
A11S22	109	A32S81	37	A41S36P	42
A11S42	109	A32S82	35	A41S51	37
A11S62	109	A32S86	37	A41S52	35
A11S82	109	A32S91	37	A41S53	36
A11S92	109	A32S92	35	A41S54	36
A12S02	109	A32S96	37	A41S56	37
A12S12	109	A32V23G	78	A41S81	37
A12S22	109	A32V26G	78	A41S82	35
A12S42	109	A33S15	38	A41S83	36
A12S62	109	A33S16	39	A41S84	36
A12S82	109	A33S17	38	A41S86	37
A12S92	109	A33S25	38	A41S91	37
A31S11	37	A33S26	39	A41S92	35
A31S12	35	A33S27	38	A41S93	36
A31S13	36	A33S35	38	A41S94	36
A31S14	36	A33S36	39	A41S96	37
A31S16	37	A33S37	38	A41V33G	78
A31S21	37	A33S55	38	A41V36G	78
A31S22	35	A33S56	39	A42S11	37
A31S23	36	A33S57	38	A42S12	35
A31S24	36	A33S85	38	A42S16	37
A31S26	37	A33S86	39	A42S21	37
A31S31	37	A33S87	38	A42S21P	42
A31S32	35	A33S95	38	A42S22	35
A31S33	36	A33S96	39	A42S26	37





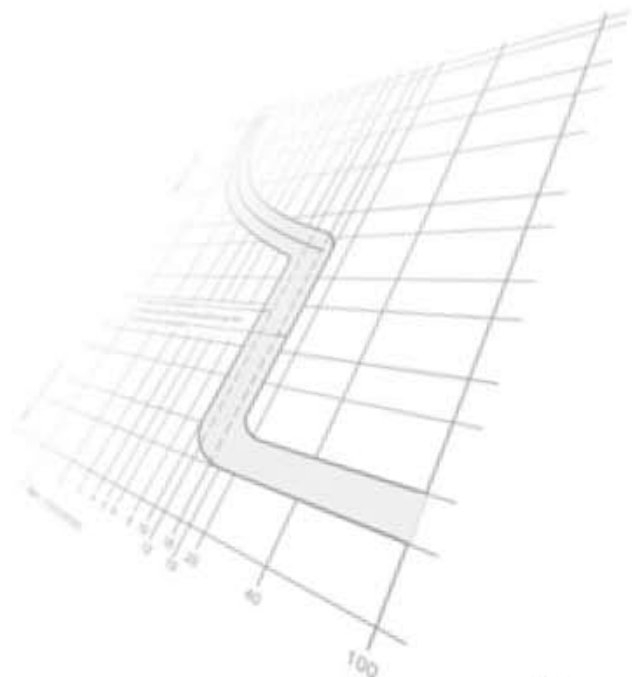
### Distribution boards

And to make sure that these DIN rail panel products can be installed in a proper manner and more importantly as specified, we of course also supply distribution boards in different sizes and versions.



### Motor protective circuit breakers

Motor protective circuit breakers to be installed internally or externally, in MS or MA versions for all kinds of purposes, each with extensive system accessories - as well as transformer protective circuit breakers, are also an important part of ABL SURSUM's catalogue.





**Socket outlet combinations, socket outlet cases, free-standing distribution units and power cubes**

Large variation for a large variety of different uses is what sets this extensive ABL SURSUM product range apart.

Almost unlimited combination possibilities with CEE and SCHUKO socket outlets in the degrees of protection IP44 and IP67, as well as the protection provided by high performance RCCBs and miniature circuit breakers, can be manufactured for almost every individual need.

And with the sockets available in many different country versions, our combinations are also very well suited for international use.

These combinations from ABL SURSUM are available in different versions: stationary, mobile and for suspension. The housings are made of high-quality thermoplastics in different qualities or from solid rubber and combine excellent mechanical, thermal and electric characteristics.



**Floor socket outlets**

Rooms are more and more often planned down to the smallest detail. Our exclusive Design socket outlets are made from cast-aluminium-bronze and fit ideally into all sophisticated office and living quarters and come in different sizes and colours.

We also supply floor socket outlets in die-cast aluminium.





## Article number directory

Article no.	Page	Article no.	Page	Article no.	Page	Article no.	Page
A42S26P	42	A51S26	37	A53S16	39	B31S23	92
A42S31	37	A51S31	37	A53S17	38	B31S24	93
A42S31P	42	A51S31P	42	A53S25	38	B31S26	92
A42S32	35	A51S32	35	A53S26	39	B31S30	91
A42S36	37	A51S32P	41	A53S27	38	B31S31	91
A42S36P	42	A51S33	36	A53S35	38	B31S33	92
A42S51	37	A51S34	35	A53S36	39	B31S34	93
A42S52	35	A51S36	37	A53S37	38	B31S36	92
A42S56	37	A51S36P	42	A53S55	38	B31S50	91
A42S81	37	A51S51	37	A53S56	39	B31S51	91
A42S82	35	A51S52	35	A53S57	38	B31S56	92
A42S86	37	A51S53	36	A53S85	38	B32S10	91
A42S91	37	A51S54	35	A53S86	39	B32S11	91
A42S92	35	A51S56	37	A53S87	38	B32S13	92
A42S96	37	A51S81	37	A53S95	38	B32S14	93
A42V33G	78	A51S82	35	A53S96	39	B32S16	92
A42V36G	78	A51S83	36	A53S97	38	B32S20	91
A43S15	38	A51S84	35	A54S15	38	B32S21	91
A43S16	39	A51S86	37	A54S17	38	B32S23	92
A43S17	38	A51S91	37	A54S25	38	B32S24	93
A43S25	38	A51S92	35	A54S27	38	B32S26	92
A43S26	39	A51S93	36	A54S35	38	B32S30	91
A43S27	38	A51S94	35	A54S37	38	B32S31	91
A43S35	38	A51S96	37	A54S55	38	B32S33	92
A43S36	39	A51V33G	78	A54S57	38	B32S34	93
A43S37	38	A51V36G	78	A54S85	38	B32S36	92
A43S55	38	A52S11	37	A54S87	38	B32S50	91
A43S56	39	A52S12	35	A54S95	38	B32S51	91
A43S57	38	A52S14	35	A54S97	38	B32S56	92
A43S85	38	A52S16	37	A71S22	95	B33S16	89
A43S86	39	A52S21	37	A71S23	95	B33S17	90
A43S87	38	A52S22	35	A71S32	95	B33S26	89
A43S95	38	A52S24	35	A71S33	95	B33S27	90
A43S96	39	A52S26	37	ADP050	102	B33S36	89
A43S97	38	A52S31	37	ADP052	102	B33S37	90
A44S15	38	A52S31P	42	ADP751	103	B41S10	91
A44S17	38	A52S32	35	ADP752	103	B41S11	91
A44S25	38	A52S32P	41	ADPI312	103	B41S13	92
A44S27	38	A52S34	35	ADPS312	103	B41S14	93
A44S35	38	A52S36	37	ADPS312	115	B41S16	92
A44S37	38	A52S36P	42	AP31S20	73	B41S20	91
A44S55	38	A52S51	37	AP31S21	73	B41S21	91
A44S57	38	A52S52	35	AP31S22	73	B41S23	92
A44S85	38	A52S54	35	AP41S30	73	B41S24	93
A44S87	38	A52S56	37	AP41S31	73	B41S26	92
A44S95	38	A52S81	37	AP41S32	73	B41S30	91
A44S97	38	A52S82	35	AP51S30	73	B41S31	91
A51S11	37	A52S84	35	AP51S31	73	B41S33	92
A51S12	35	A52S86	37	AP51S32	73	B41S34	93
A51S13	36	A52S91	37	B31S10	91	B41S36	92
A51S14	35	A52S92	35	B31S11	91	B41S40	91
A51S16	37	A52S94	35	B31S13	92	B41S41	91
A51S21	37	A52S96	37	B31S14	93	B41S43	92
A51S22	35	A52V33G	78	B31S16	92	B41S44	93
A51S23	36	A52V36G	78	B31S20	91	B41S46	92
A51S24	35	A53S15	38	B31S21	91	B41S50	91



### SCHUKO plug connections

Naturally, the inventor of the SCHUKO system has a large selection of SCHUKO plug connections in its product range. This range of products is actually so extensive that even experts are constantly surprised!



Industrial Ethernet connections, socket outlets, outlet boxes, supply connections for boats and caravans, Perilex plug connections, international plug connections and so much more ... Describing a product range of over 7,000 articles would go beyond the scope of this publication.



Detailed information can be found at:  
[www.abl-sursum.com](http://www.abl-sursum.com)



Article no.	Page	Article no.	Page	Article no.	Page	Article no.	Page
B41S51	91	B52S20	91	C31S552	85	C41S150	83
B41S56	92	B52S21	91	C31S560	87	C41S151	84
B42S10	91	B52S23	92	C31S570	89	C41S152	85
B42S11	91	B52S24	93	C32S100	82	C41S160	87
B42S13	92	B52S26	92	C32S101	83	C41S170	89
B42S14	93	B52S30	91	C32S102	84	C41S200	82
B42S16	92	B52S31	91	C32S110	86	C41S201	83
B42S20	91	B52S33	92	C32S120	88	C41S202	84
B42S21	91	B52S34	93	C32S150	83	C41S210	86
B42S23	92	B52S36	92	C32S151	84	C41S220	88
B42S24	93	B52S50	91	C32S152	85	C41S250	83
B42S26	92	B52S51	91	C32S160	87	C41S251	84
B42S30	91	B52S56	92	C32S170	89	C41S252	85
B42S31	91	B53S16	89	C32S200	82	C41S260	87
B42S33	92	B53S17	90	C32S201	83	C41S270	89
B42S34	93	B53S26	89	C32S202	84	C41S300	82
B42S36	92	B53S27	90	C32S210	86	C41S301	83
B42S40	91	B53S36	89	C32S220	88	C41S302	84
B42S41	91	B53S37	90	C32S250	83	C41S310	86
B42S43	92	C31S100	82	C32S251	84	C41S320	88
B42S44	93	C31S101	83	C32S252	85	C41S350	83
B42S46	92	C31S102	84	C32S260	87	C41S351	84
B42S50	91	C31S110	86	C32S270	89	C41S352	85
B42S51	91	C31S120	88	C32S300	82	C41S360	87
B42S56	92	C31S150	83	C32S301	83	C41S370	89
B43S16	89	C31S151	84	C32S302	84	C41S400	82
B43S17	90	C31S152	85	C32S310	86	C41S401	83
B43S26	89	C31S160	87	C32S320	88	C41S402	84
B43S27	90	C31S170	89	C32S350	83	C41S410	86
B43S36	89	C31S200	82	C32S351	84	C41S420	88
B43S37	90	C31S201	83	C32S352	85	C41S450	83
B43S46	89	C31S202	84	C32S360	87	C41S451	84
B43S47	90	C31S210	86	C32S370	89	C41S452	85
B51S10	91	C31S220	88	C32S500	82	C41S460	87
B51S11	91	C31S250	83	C32S501	83	C41S470	89
B51S13	92	C31S251	84	C32S502	84	C41S500	82
B51S14	93	C31S252	85	C32S510	86	C41S501	83
B51S16	92	C31S260	87	C32S520	88	C41S502	84
B51S20	91	C31S270	89	C32S550	83	C41S510	86
B51S21	91	C31S300	82	C32S551	84	C41S520	88
B51S23	92	C31S301	83	C32S552	85	C41S550	83
B51S24	93	C31S302	84	C32S560	87	C41S551	84
B51S26	92	C31S310	86	C32S570	89	C41S552	85
B51S30	91	C31S320	88	C33S153	85	C41S560	87
B51S31	91	C31S350	83	C33S160	87	C41S570	89
B51S33	92	C31S351	84	C33S253	85	C42S051	99
B51S34	93	C31S352	85	C33S260	87	C42S052	99
B51S36	92	C31S360	87	C33S353	85	C42S070	99
B51S50	91	C31S370	89	C33S360	87	C42S100	82
B51S51	91	C31S500	82	C33S553	85	C42S101	83
B51S56	92	C31S501	83	C33S560	87	C42S102	84
B52S10	91	C31S502	84	C41S100	82	C42S110	86
B52S11	91	C31S510	86	C41S101	83	C42S120	88
B52S13	92	C31S520	88	C41S102	84	C42S150	83
B52S14	93	C31S550	83	C41S110	86	C42S151	84
B52S16	92	C31S551	84	C41S120	88	C42S152	85

Article no.	Page	Article no.	Page	Article no.	Page	Article no.	Page
C42S160	87	C51S120	88	C52S300	82	D12S90	110
C42S170	89	C51S150	83	C52S301	83	D31S10	48
C42S200	82	C51S151	84	C52S302	84	D31S11	49
C42S201	83	C51S152	85	C52S310	86	D31S12	50
C42S202	84	C51S160	87	C52S320	88	D31S15	49
C42S210	86	C51S170	89	C52S350	83	D31S20	48
C42S220	88	C51S200	82	C52S351	84	D31S21	49
C42S250	83	C51S201	83	C52S352	85	D31S22	50
C42S251	84	C51S202	84	C52S360	87	D31S231	52
C42S252	85	C51S210	86	C52S370	89	D31S232	52
C42S260	87	C51S220	88	C52S500	82	D31S233	53
C42S270	89	C51S250	83	C52S501	83	D31S234	53
C42S300	82	C51S251	84	C52S502	84	D31S240	54
C42S301	83	C51S252	85	C52S510	86	D31S242	55
C42S302	84	C51S260	87	C52S520	88	D31S243	55
C42S310	86	C51S270	89	C52S550	83	D31S244	55
C42S320	88	C51S300	82	C52S551	84	D31S245	55
C42S350	83	C51S301	83	C52S552	85	D31S25	49
C42S351	84	C51S302	84	C52S560	87	D31S30	48
C42S352	85	C51S310	86	C52S570	89	D31S31	49
C42S360	87	C51S320	88	C53S153	85	D31S32	50
C42S370	89	C51S350	83	C53S160	87	D31S35	49
C42S400	82	C51S351	84	C53S253	85	D31S50	48
C42S401	83	C51S352	85	C53S260	87	D31S51	49
C42S402	84	C51S360	87	C53S353	85	D31S52	50
C42S410	86	C51S370	89	C53S360	87	D31S55	49
C42S420	88	C51S500	82	C53S553	85	D31S80	48
C42S450	83	C51S501	83	C53S560	87	D31S81	49
C42S451	84	C51S502	84	D 51.33	73	D31S82	50
C42S452	85	C51S510	86	D01S00	110	D31S85	49
C42S460	87	C51S520	88	D01S10	110	D31S90	48
C42S470	89	C51S550	83	D01S20	110	D31S91	49
C42S500	82	C51S551	84	D01S40	110	D31S92	50
C42S501	83	C51S552	85	D01S60	110	D31S95	49
C42S502	84	C51S560	87	D01S80	110	D31SL10	48
C42S510	86	C51S570	89	D01S90	110	D31SL20	48
C42S520	88	C52S100	82	D02S00	110	D31SL30	48
C42S550	83	C52S101	83	D02S10	110	D31SL50	48
C42S551	84	C52S102	84	D02S20	110	D31SL80	48
C42S552	85	C52S110	86	D02S40	110	D31SL90	48
C42S560	87	C52S120	88	D02S60	110	D32S10	48
C42S570	89	C52S150	83	D02S80	110	D32S11	49
C43S153	85	C52S151	84	D02S90	110	D32S12	50
C43S160	87	C52S152	85	D11S00	110	D32S15	49
C43S253	85	C52S160	87	D11S10	110	D32S20	48
C43S260	87	C52S170	89	D11S20	110	D32S21	49
C43S353	85	C52S200	82	D11S40	110	D32S22	50
C43S360	87	C52S201	83	D11S60	110	D32S231	52
C43S453	85	C52S202	84	D11S80	110	D32S232	52
C43S460	87	C52S210	86	D11S90	110	D32S233	53
C43S553	85	C52S220	88	D12S00	110	D32S234	53
C43S560	87	C52S250	83	D12S10	110	D32S240	54
C51S100	82	C52S251	84	D12S20	110	D32S242	55
C51S101	83	C52S252	85	D12S40	110	D32S243	55
C51S102	84	C52S260	87	D12S60	110	D32S244	55
C51S110	86	C52S270	89	D12S80	110	D32S245	55



Article no.	Page	Article no.	Page	Article no.	Page	Article no.	Page
D32S25	49	D41S331	52	D42S35	49	D51S332	52
D32S30	48	D41S332	52	D42S40	48	D51S333	53
D32S31	49	D41S333	53	D42S42	50	D51S334	53
D32S32	50	D41S334	53	D42S45	49	D51S340	54
D32S35	49	D41S340	54	D42S50	48	D51S341	54
D32S50	48	D41S341	54	D42S51	49	D51S342	55
D32S51	49	D41S342	55	D42S52	50	D51S343	55
D32S52	50	D41S343	55	D42S55	49	D51S344	55
D32S55	49	D41S344	55	D42S80	48	D51S345	55
D32S80	48	D41S345	55	D42S81	49	D51S35	49
D32S81	49	D41S35	49	D42S82	50	D51S50	48
D32S82	50	D41S40	48	D42S85	49	D51S51	49
D32S85	49	D41S45	49	D42S90	48	D51S52	50
D32S90	48	D41S50	48	D42S91	49	D51S55	49
D32S91	49	D41S51	49	D42S92	50	D51S80	48
D32S92	50	D41S52	50	D42S95	49	D51S81	49
D32S95	49	D41S55	49	D42SL10	48	D51S82	50
D32SL10	48	D41S80	48	D42SL20	48	D51S85	49
D32SL20	48	D41S81	49	D42SL30	48	D51S90	48
D32SL30	48	D41S82	50	D42SL50	48	D51S91	49
D32SL50	48	D41S85	49	D42SL80	48	D51S92	50
D32SL80	48	D41S90	48	D42SL90	48	D51S95	49
D32SL90	48	D41S91	49	D42V05	98	D51SL10	48
D33S16	50	D41S92	50	D43S16	50	D51SL20	48
D33S17	51	D41S95	49	D43S17	51	D51SL30	48
D33S26	50	D41SL10	48	D43S26	50	D51SL50	48
D33S27	51	D41SL20	48	D43S27	51	D51SL80	48
D33S36	50	D41SL30	48	D43S36	50	D51SL90	48
D33S37	51	D41SL50	48	D43S37	51	D52S10	48
D33S56	50	D41SL80	48	D43S46	50	D52S11	49
D33S57	51	D41SL90	48	D43S47	51	D52S12	50
D33S86	50	D42S10	48	D43S56	50	D52S15	49
D33S87	51	D42S11	49	D43S57	51	D52S20	48
D33S96	50	D42S12	50	D43S86	50	D52S21	49
D33S97	51	D42S15	49	D43S87	51	D52S22	50
D34S17	51	D42S20	48	D43S96	50	D52S25	49
D34S27	51	D42S21	49	D43S97	51	D52S30	48
D34S37	51	D42S22	50	D44S17	51	D52S31	49
D34S57	51	D42S231	52	D44S27	51	D52S32	50
D34S87	51	D42S232	52	D44S37	51	D52S331	52
D34S97	51	D42S233	53	D44S47	51	D52S332	52
D41S10	48	D42S234	53	D44S57	51	D52S333	53
D41S11	49	D42S25	49	D44S87	51	D52S334	53
D41S12	50	D42S30	48	D44S97	51	D52S340	54
D41S15	49	D42S31	49	D51S10	48	D52S341	54
D41S20	48	D42S32	50	D51S11	49	D52S342	55
D41S21	49	D42S331	52	D51S12	50	D52S343	55
D41S22	50	D42S332	52	D51S15	49	D52S344	55
D41S231	52	D42S333	53	D51S20	48	D52S345	55
D41S232	52	D42S334	53	D51S21	49	D52S35	49
D41S233	53	D42S340	54	D51S22	50	D52S50	48
D41S234	53	D42S341	54	D51S25	49	D52S51	49
D41S25	49	D42S342	55	D51S30	48	D52S52	50
D41S30	48	D42S343	55	D51S31	49	D52S55	49
D41S31	49	D42S344	55	D51S32	50	D52S80	48
D41S32	50	D42S345	55	D51S331	52	D52S81	49

Article no.	Page	Article no.	Page	Article no.	Page	Article no.	Page
D52S82	50	F01S054	113	F02S801	110	F12S203	112
D52S85	49	F01S101	110	F02S802	111	F12S204	111
D52S90	48	F01S102	111	F02S803	112	F12S214	112
D52S91	49	F01S103	112	F02S814	112	F12S254	113
D52S92	50	F01S114	112	F02S854	113	F12S401	110
D52S95	49	F01S154	113	F02S901	110	F12S403	112
D52SL10	48	F01S201	110	F02S902	111	F12S404	111
D52SL20	48	F01S202	111	F02S903	112	F12S414	112
D52SL30	48	F01S203	112	F02S914	112	F12S454	113
D52SL50	48	F01S214	112	F02S954	113	F12S601	110
D52SL80	48	F01S254	113	F11S001	110	F12S603	112
D52SL90	48	F01S401	110	F11S003	112	F12S604	111
D53S16	50	F01S402	111	F11S004	111	F12S614	112
D53S17	51	F01S403	112	F11S014	112	F12S654	113
D53S26	50	F01S414	112	F11S054	113	F12S801	110
D53S27	51	F01S454	113	F11S101	110	F12S803	112
D53S36	50	F01S601	110	F11S103	112	F12S804	111
D53S37	51	F01S602	111	F11S104	111	F12S814	112
D53S56	50	F01S603	112	F11S114	112	F12S854	113
D53S57	51	F01S614	112	F11S154	113	F12S901	110
D53S86	50	F01S654	113	F11S201	110	F12S903	112
D53S87	51	F01S801	110	F11S203	112	F12S904	111
D53S96	50	F01S802	111	F11S204	111	F12S914	112
D53S97	51	F01S803	112	F11S214	112	F12S954	113
D54S17	51	F01S814	112	F11S254	113	F31S100	56
D54S27	51	F01S854	113	F11S401	110	F31S101	58
D54S37	51	F01S901	110	F11S403	112	F31S102	59
D54S57	51	F01S902	111	F11S404	111	F31S103	60
D54S87	51	F01S903	112	F11S414	112	F31S104	60
D54S97	51	F01S914	112	F11S454	113	F31S105	62
D71S20	97	F01S954	113	F11S601	110	F31S120	65
D71S22	97	F02S001	110	F11S603	112	F31S131	66
D71S30	97	F02S002	111	F11S604	111	F31S133	68
D71S32	97	F02S003	112	F11S614	112	F31S150	57
D72S20	97	F02S014	112	F11S654	113	F31S151	61
D72S25	97	F02S054	113	F11S801	110	F31S152	61
D72S30	97	F02S101	110	F11S803	112	F31S154	61
D72S35	97	F02S102	111	F11S804	111	F31S170	67
E51S30	104	F02S103	112	F11S814	112	F31S181	69
E51S30P	104	F02S114	112	F11S854	113	F31S183	71
E51S30W	105	F02S154	113	F11S901	110	F31S200	56
E51S31	104	F02S201	110	F11S903	112	F31S201	58
E51S31P	104	F02S202	111	F11S904	111	F31S202	59
E51S31W	105	F02S203	112	F11S914	112	F31S203	60
E51S32P	104	F02S214	112	F11S954	113	F31S204	60
E52S30	104	F02S254	113	F12S001	110	F31S205	62
E52S30P	104	F02S401	110	F12S003	112	F31S20B	75
E52S30W	105	F02S402	111	F12S004	111	F31S220	65
E52S31	104	F02S403	112	F12S014	112	F31S22B	75
E52S31P	104	F02S414	112	F12S054	113	F31S231	66
E52S31W	105	F02S454	113	F12S101	110	F31S233	68
E52S32P	104	F02S601	110	F12S103	112	F31S250	57
F01S001	110	F02S602	111	F12S104	111	F31S251	61
F01S002	111	F02S603	112	F12S114	112	F31S252	61
F01S003	112	F02S614	112	F12S154	113	F31S254	61
F01S014	112	F02S654	113	F12S201	110	F31S270	67



Article no.	Page	Article no.	Page	Article no.	Page	Article no.	Page
F31S281	69	F31S920	65	F31SL3G	71	F32S150	57
F31S283	71	F31S931	66	F31SL3K	63	F32S170	67
F31S300	56	F31S933	68	F31SL50	58	F32S183	71
F31S301	58	F31S950	57	F31SL51	56	F32S200	56
F31S302	59	F31S951	61	F31SL52	59	F32S201	58
F31S303	60	F31S952	61	F31SL53	65	F32S20B	75
F31S304	60	F31S954	61	F31SL54	62	F32S220	65
F31S305	62	F31S970	67	F31SL55	61	F32S22B	75
F31S320	65	F31S981	69	F31SL56	57	F32S233	68
F31S331	66	F31S983	71	F31SL57	61	F32S250	57
F31S333	68	F31SL10	58	F31SL58	67	F32S270	67
F31S350	57	F31SL11	56	F31SL59	61	F32S283	71
F31S351	61	F31SL12	59	F31SL5B	62	F32S300	56
F31S352	61	F31SL13	65	F31SL5C	66	F32S301	58
F31S354	61	F31SL14	62	F31SL5D	69	F32S320	65
F31S370	67	F31SL15	61	F31SL5F	68	F32S333	68
F31S381	69	F31SL16	57	F31SL5G	71	F32S350	57
F31S383	71	F31SL17	61	F31SL5K	63	F32S370	67
F31S500	56	F31SL18	67	F31SL80	58	F32S383	71
F31S501	58	F31SL19	61	F31SL81	56	F32S500	56
F31S502	59	F31SL1B	62	F31SL82	59	F32S501	58
F31S503	60	F31SL1C	66	F31SL83	65	F32S520	65
F31S504	60	F31SL1D	69	F31SL84	62	F32S533	68
F31S505	62	F31SL1F	68	F31SL85	61	F32S550	57
F31S520	65	F31SL1G	71	F31SL86	57	F32S570	67
F31S531	66	F31SL1K	63	F31SL87	61	F32S583	71
F31S533	68	F31SL20	58	F31SL88	67	F32S800	56
F31S550	57	F31SL21	56	F31SL89	61	F32S801	58
F31S551	61	F31SL22	59	F31SL8B	62	F32S820	65
F31S552	61	F31SL23	65	F31SL8C	66	F32S833	68
F31S554	61	F31SL24	62	F31SL8D	69	F32S850	57
F31S570	67	F31SL25	61	F31SL8F	68	F32S870	67
F31S581	69	F31SL26	57	F31SL8G	71	F32S883	71
F31S583	71	F31SL27	61	F31SL8K	63	F32S900	56
F31S800	56	F31SL28	67	F31SL90	58	F32S901	58
F31S801	58	F31SL29	61	F31SL91	56	F32S920	65
F31S802	59	F31SL2B	62	F31SL92	59	F32S933	68
F31S803	60	F31SL2C	66	F31SL93	65	F32S950	57
F31S804	60	F31SL2D	69	F31SL94	62	F32S970	67
F31S805	62	F31SL2F	68	F31SL95	61	F32S983	71
F31S820	65	F31SL2G	71	F31SL96	57	F32SL10	58
F31S831	66	F31SL2K	63	F31SL97	61	F32SL11	56
F31S833	68	F31SL30	58	F31SL98	67	F32SL16	57
F31S850	57	F31SL31	56	F31SL99	61	F32SL1C	66
F31S851	61	F31SL32	59	F31SL9B	62	F32SL1D	69
F31S852	61	F31SL33	65	F31SL9C	66	F32SL1F	68
F31S854	61	F31SL34	62	F31SL9D	69	F32SL1G	71
F31S870	67	F31SL35	61	F31SL9F	68	F32SL20	58
F31S881	69	F31SL36	57	F31SL9G	71	F32SL21	56
F31S883	71	F31SL37	61	F31SL9K	63	F32SL26	57
F31S900	56	F31SL38	67	F31V25G	77	F32SL2C	66
F31S901	58	F31SL39	61	F31V26G	77	F32SL2D	69
F31S902	59	F31SL3B	62	F32S100	56	F32SL2F	68
F31S903	60	F31SL3C	66	F32S101	58	F32SL2G	71
F31S904	60	F31SL3D	69	F32S120	65	F32SL30	58
F31S905	62	F31SL3F	68	F32S133	68	F32SL31	56

Article no.	Page	Article no.	Page	Article no.	Page	Article no.	Page
F42S200	56	F42SL2F	68	F43S584	72	F51S333	70
F42S201	58	F42SL2G	71	F43S585	72	F51S350	57
F42S220	65	F42SL30	58	F43S586	72	F51S370	67
F42S233	68	F42SL31	56	F43S856	63	F51S383	71
F42S250	57	F42SL36	57	F43S857	63	F51S500	56
F42S270	67	F42SL3C	66	F43S884	72	F51S501	58
F42S283	71	F42SL3D	69	F43S885	72	F51S503	60
F42S300	56	F42SL3F	68	F43S886	72	F51S520	65
F42S301	58	F42SL3G	71	F43S956	63	F51S533	70
F42S30B	75	F42SL50	58	F43S957	63	F51S550	57
F42S320	65	F42SL51	56	F43S984	72	F51S570	67
F42S32B	75	F42SL56	57	F43S985	72	F51S583	71
F42S333	68	F42SL5C	66	F43S986	72	F51S800	56
F42S350	57	F42SL5D	69	F44S157	64	F51S801	58
F42S370	67	F42SL5F	68	F44S187	72	F51S803	60
F42S383	71	F42SL5G	71	F44S188	72	F51S820	65
F42S400	56	F42SL80	58	F44S257	64	F51S833	70
F42S401	58	F42SL81	56	F44S287	72	F51S850	57
F42S420	65	F42SL86	57	F44S288	72	F51S870	67
F42S433	68	F42SL8C	66	F44S357	64	F51S883	71
F42S450	57	F42SL8D	69	F44S387	72	F51S900	56
F42S470	67	F42SL8F	68	F44S388	72	F51S901	58
F42S483	71	F42SL8G	71	F44S457	64	F51S903	60
F42S500	56	F42SL90	58	F44S487	72	F51S920	65
F42S501	58	F42SL91	56	F44S488	72	F51S933	70
F42S520	65	F42SL96	57	F44S557	64	F51S950	57
F42S533	68	F42SL9C	66	F44S587	72	F51S970	67
F42S550	57	F42SL9D	69	F44S588	72	F51S983	71
F42S570	67	F42SL9F	68	F44S857	64	F51SL10	58
F42S583	71	F42SL9G	71	F44S887	72	F51SL11	56
F42S800	56	F42V050	99	F44S888	72	F51SL16	57
F42S801	58	F42V070	99	F44S957	64	F51SL1C	66
F42S820	65	F42V35G	77	F44S987	72	F51SL1D	69
F42S833	68	F42V36G	77	F44S988	72	F51SL1F	68
F42S850	57	F43S156	63	F51S100	56	F51SL1G	71
F42S870	67	F43S157	63	F51S101	58	F51SL20	58
F42S883	71	F43S184	72	F51S103	60	F51SL21	56
F42S900	56	F43S185	72	F51S120	65	F51SL26	57
F42S901	58	F43S186	72	F51S133	70	F51SL2C	66
F42S920	65	F43S256	63	F51S150	57	F51SL2D	69
F42S933	68	F43S257	63	F51S170	67	F51SL2F	68
F42S950	57	F43S284	72	F51S183	71	F51SL2G	71
F42S970	67	F43S285	72	F51S200	56	F51SL30	58
F42S983	71	F43S286	72	F51S201	58	F51SL31	56
F42SL10	58	F43S356	63	F51S203	60	F51SL36	57
F42SL11	56	F43S357	63	F51S220	65	F51SL3C	66
F42SL16	57	F43S384	72	F51S233	70	F51SL3D	69
F42SL1C	66	F43S385	72	F51S250	57	F51SL3F	68
F42SL1D	69	F43S386	72	F51S270	67	F51SL3G	71
F42SL1F	68	F43S456	63	F51S283	71	F51SL50	58
F42SL1G	71	F43S457	63	F51S300	56	F51SL51	56
F42SL20	58	F43S484	72	F51S301	58	F51SL56	57
F42SL21	56	F43S485	72	F51S303	60	F51SL5C	66
F42SL26	57	F43S486	72	F51S30B	75	F51SL5D	69
F42SL2C	66	F43S556	63	F51S320	65	F51SL5F	68
F42SL2D	69	F43S557	63	F51S32B	75	F51SL5G	71



Article no.	Page	Article no.	Page	Article no.	Page	Article no.	Page
F51SL80	58	F52S933	70	F53S285	72	G02S40	109
F51SL81	56	F52S950	57	F53S286	72	G02S60	109
F51SL86	57	F52S970	67	F53S356	63	G02S80	109
F51SL8C	66	F52S983	71	F53S357	63	G02S90	109
F51SL8D	69	F52SL10	58	F53S384	72	G11S00	109
F51SL8F	68	F52SL11	56	F53S385	72	G11S10	109
F51SL8G	71	F52SL16	57	F53S386	72	G11S20	109
F51SL90	58	F52SL1C	66	F53S556	63	G11S40	109
F51SL91	56	F52SL1D	69	F53S557	63	G11S60	109
F51SL96	57	F52SL1F	68	F53S584	72	G11S80	109
F51SL9C	66	F52SL1G	71	F53S585	72	G11S90	109
F51SL9D	69	F52SL20	58	F53S586	72	G12S00	109
F51SL9F	68	F52SL21	56	F53S856	63	G12S10	109
F51SL9G	71	F52SL26	57	F53S857	63	G12S20	109
F51V35G	77	F52SL2C	66	F53S884	72	G12S40	109
F51V36G	77	F52SL2D	69	F53S885	72	G12S60	109
F52S100	56	F52SL2F	68	F53S886	72	G12S80	109
F52S101	58	F52SL2G	71	F53S956	63	G12S90	109
F52S120	65	F52SL30	58	F53S957	63	G31S10	32
F52S133	70	F52SL31	56	F53S984	72	G31S11	32
F52S150	57	F52SL36	57	F53S985	72	G31S12	33
F52S170	67	F52SL3C	66	F53S986	72	G31S20	32
F52S183	71	F52SL3D	69	F54S157	64	G31S21	115
F52S200	56	F52SL3F	68	F54S187	72	G31S21	32
F52S201	58	F52SL3G	71	F54S188	72	G31S22	33
F52S220	65	F52SL50	58	F54S257	64	G31S30	32
F52S233	70	F52SL51	56	F54S287	72	G31S31	32
F52S250	57	F52SL56	57	F54S288	72	G31S32	33
F52S270	67	F52SL5C	66	F54S357	64	G31S50	32
F52S283	71	F52SL5D	69	F54S387	72	G31S51	32
F52S300	56	F52SL5F	68	F54S388	72	G31S52	33
F52S301	58	F52SL5G	71	F54S557	64	G31S80	32
F52S30B	75	F52SL80	58	F54S587	72	G31S81	32
F52S320	65	F52SL81	56	F54S588	72	G31S82	33
F52S32B	75	F52SL86	57	F54S857	64	G31S90	32
F52S333	70	F52SL8C	66	F54S887	72	G31S91	32
F52S350	57	F52SL8D	69	F54S888	72	G31S92	33
F52S370	67	F52SL8F	68	F54S957	64	G32S10	32
F52S383	71	F52SL8G	71	F54S987	72	G32S11	32
F52S500	56	F52SL90	58	F54S988	72	G32S12	33
F52S501	58	F52SL91	56	F71S201	97	G32S20	32
F52S520	65	F52SL96	57	F71S301	97	G32S21	32
F52S533	70	F52SL9C	66	F72S200	97	G32S22	33
F52S550	57	F52SL9D	69	F72S250	97	G32S30	32
F52S570	67	F52SL9F	68	F72S300	97	G32S31	32
F52S583	71	F52SL9G	71	F72S350	97	G32S32	33
F52S800	56	F52V35G	77	G01S00	109	G32S50	32
F52S801	58	F52V36G	77	G01S10	109	G32S51	32
F52S820	65	F53S156	63	G01S20	109	G32S52	33
F52S833	70	F53S157	63	G01S40	109	G32S80	32
F52S850	57	F53S184	72	G01S60	109	G32S81	32
F52S870	67	F53S185	72	G01S80	109	G32S82	33
F52S883	71	F53S186	72	G01S90	109	G32S90	32
F52S900	56	F53S256	63	G02S00	109	G32S91	32
F52S901	58	F53S257	63	G02S10	109	G32S92	33
F52S920	65	F53S284	72	G02S20	109	G33S15	34

Article no.	Page	Article no.	Page	Article no.	Page	Article no.	Page
F32SL36	57	F33S985	72	F41S401	58	F41SL23	65
F32SL3C	66	F33S986	72	F41S402	59	F41SL26	57
F32SL3D	69	F34S157	64	F41S405	62	F41SL28	67
F32SL3F	68	F34S187	72	F41S420	65	F41SL2C	66
F32SL3G	71	F34S188	72	F41S431	66	F41SL2D	69
F32SL50	58	F34S257	64	F41S433	68	F41SL2F	68
F32SL51	56	F34S287	72	F41S450	57	F41SL2G	71
F32SL56	57	F34S288	72	F41S470	67	F41SL30	58
F32SL5C	66	F34S357	64	F41S481	69	F41SL31	56
F32SL5D	69	F34S387	72	F41S483	71	F41SL32	59
F32SL5F	68	F34S388	72	F41S500	56	F41SL33	65
F32SL5G	71	F34S557	64	F41S501	58	F41SL36	57
F32SL80	58	F34S587	72	F41S502	59	F41SL38	67
F32SL81	56	F34S588	72	F41S505	62	F41SL3C	66
F32SL86	57	F34S857	64	F41S520	65	F41SL3D	69
F32SL8C	66	F34S887	72	F41S531	66	F41SL3F	68
F32SL8D	69	F34S888	72	F41S533	68	F41SL3G	71
F32SL8F	68	F34S957	64	F41S550	57	F41SL50	58
F32SL8G	71	F34S987	72	F41S570	67	F41SL51	56
F32SL90	58	F34S988	72	F41S581	69	F41SL52	59
F32SL91	56	F41S100	56	F41S583	71	F41SL53	65
F32SL96	57	F41S101	58	F41S800	56	F41SL56	57
F32SL9C	66	F41S102	59	F41S801	58	F41SL58	67
F32SL9D	69	F41S105	62	F41S802	59	F41SL5C	66
F32SL9F	68	F41S120	65	F41S805	62	F41SL5D	69
F32SL9G	71	F41S131	66	F41S820	65	F41SL5F	68
F32V25G	77	F41S133	68	F41S831	66	F41SL5G	71
F32V26G	77	F41S150	57	F41S833	68	F41SL80	58
F33S156	63	F41S170	67	F41S850	57	F41SL81	56
F33S157	63	F41S181	69	F41S870	67	F41SL82	59
F33S184	72	F41S183	71	F41S881	69	F41SL83	65
F33S185	72	F41S200	56	F41S883	71	F41SL86	57
F33S186	72	F41S201	58	F41S900	56	F41SL88	67
F33S256	63	F41S202	59	F41S901	58	F41SL8C	66
F33S257	63	F41S205	62	F41S902	59	F41SL8D	69
F33S284	72	F41S220	65	F41S905	62	F41SL8F	68
F33S285	72	F41S231	66	F41S920	65	F41SL8G	71
F33S286	72	F41S233	68	F41S931	66	F41SL90	58
F33S356	63	F41S250	57	F41S933	68	F41SL91	56
F33S357	63	F41S270	67	F41S950	57	F41SL92	59
F33S384	72	F41S281	69	F41S970	67	F41SL93	65
F33S385	72	F41S283	71	F41S981	69	F41SL96	57
F33S386	72	F41S300	56	F41S983	71	F41SL98	67
F33S556	63	F41S301	58	F41SL10	58	F41SL9C	66
F33S557	63	F41S302	59	F41SL11	56	F41SL9D	69
F33S584	72	F41S305	62	F41SL12	59	F41SL9F	68
F33S585	72	F41S30B	75	F41SL13	65	F41SL9G	71
F33S586	72	F41S320	65	F41SL16	57	F41V35G	77
F33S856	63	F41S32B	75	F41SL18	67	F41V36G	77
F33S857	63	F41S331	66	F41SL1C	66	F42S100	56
F33S884	72	F41S333	68	F41SL1D	69	F42S101	58
F33S885	72	F41S350	57	F41SL1F	68	F42S120	65
F33S886	72	F41S370	67	F41SL1G	71	F42S133	68
F33S956	63	F41S381	69	F41SL20	58	F42S150	57
F33S957	63	F41S383	71	F41SL21	56	F42S170	67
F33S984	72	F41S400	56	F41SL22	59	F42S183	71



Article no.	Page	Article no.	Page	Article no.	Page	Article no.	Page
G33S25	34	G44S55	34	G71S21	95	K12S85	108
G33S35	34	G44S85	34	G71S30	95	K12S90	108
G33S55	34	G44S95	34	G71S31	95	K12S95	108
G33S85	34	G51S10	32	K01S00	108	K31S10	44
G33S95	34	G51S11	32	K01S05	108	K31S15	45
G34S15	34	G51S12	33	K01S10	108	K31S20	44
G34S25	34	G51S20	32	K01S15	108	K31S20B	74
G34S35	34	G51S21	32	K01S20	108	K31S25	45
G34S55	34	G51S22	33	K01S25	108	K31S30	44
G34S85	34	G51S30	32	K01S40	108	K31S35	45
G34S95	34	G51S30P	40	K01S45	108	K31S50	44
G41S10	32	G51S31	32	K01S60	108	K31S55	45
G41S11	32	G51S31P	40	K01S65	108	K31S80	44
G41S12	33	G51S32	33	K01S80	108	K31S85	45
G41S20	32	G51S50	32	K01S85	108	K31S90	44
G41S21	32	G51S51	32	K01S90	108	K31S95	45
G41S22	33	G51S52	33	K01S95	108	K31SL10	44
G41S30	32	G51S80	32	K02S00	108	K31SL15	45
G41S31	32	G51S81	32	K02S05	108	K31SL20	44
G41S32	33	G51S82	33	K02S10	108	K31SL25	45
G41S50	32	G51S90	32	K02S15	108	K31SL30	44
G41S51	32	G51S91	32	K02S20	108	K31SL35	45
G41S52	33	G51S92	33	K02S25	108	K31SL50	44
G41S80	32	G52S10	32	K02S40	108	K31SL55	45
G41S81	32	G52S11	32	K02S45	108	K31SL80	44
G41S82	33	G52S12	33	K02S60	108	K31SL85	45
G41S90	32	G52S20	32	K02S65	108	K31SL90	44
G41S91	32	G52S21	32	K02S80	108	K31SL95	45
G41S92	33	G52S22	33	K02S85	108	K31V25G	76
G42S10	32	G52S30	32	K02S90	108	K32S10	44
G42S11	32	G52S30P	40	K02S95	108	K32S15	45
G42S12	33	G52S31	32	K11S00	108	K32S20	44
G42S20	32	G52S31P	40	K11S05	108	K32S20B	74
G42S21	32	G52S32	33	K11S10	108	K32S25	45
G42S22	33	G52S50	32	K11S15	108	K32S30	44
G42S30	32	G52S51	32	K11S20	108	K32S35	45
G42S31	32	G52S52	33	K11S25	108	K32S50	44
G42S32	33	G52S80	32	K11S40	108	K32S55	45
G42S50	32	G52S81	32	K11S45	108	K32S80	44
G42S51	32	G52S82	33	K11S60	108	K32S85	45
G42S52	33	G52S90	32	K11S65	108	K32S90	44
G42S80	32	G52S91	32	K11S80	108	K32S95	45
G42S81	32	G52S92	33	K11S85	108	K32SL10	44
G42S82	33	G53S15	34	K11S90	108	K32SL15	45
G42S90	32	G53S25	34	K11S95	108	K32SL20	44
G42S91	32	G53S35	34	K12S00	108	K32SL25	45
G42S92	33	G53S55	34	K12S05	108	K32SL30	44
G43S15	34	G53S85	34	K12S10	108	K32SL35	45
G43S25	34	G53S95	34	K12S15	108	K32SL50	44
G43S35	34	G54S15	34	K12S20	108	K32SL55	45
G43S55	34	G54S25	34	K12S25	108	K32SL80	44
G43S85	34	G54S35	34	K12S40	108	K32SL85	45
G43S95	34	G54S55	34	K12S45	108	K32SL90	44
G44S15	34	G54S85	34	K12S60	108	K32SL95	45
G44S25	34	G54S95	34	K12S65	108	K32V25G	76
G44S35	34	G71S20	95	K12S80	108	K33S10	46

Article no.	Page	Article no.	Page	Article no.	Page	Article no.	Page
K33S15	46	K42S80	44	K51SL30	44	K72S25	96
K33S20	46	K42S85	45	K51SL35	45	K72S30	96
K33S25	46	K42S90	44	K51SL50	44	K72S35	96
K33S30	46	K42S95	45	K51SL55	45	S01S00	107
K33S35	46	K42SL10	44	K51SL80	44	S01S05	107
K33S50	46	K42SL15	45	K51SL85	45	S01S10	107
K33S55	46	K42SL20	44	K51SL90	44	S01S15	107
K33S80	46	K42SL25	45	K51SL95	45	S01S20	107
K33S85	46	K42SL30	44	K51V35G	76	S01S25	107
K33S90	46	K42SL35	45	K52S10	44	S01S40	107
K33S95	46	K42SL50	44	K52S15	45	S01S45	107
K34S15	47	K42SL55	45	K52S20	44	S01S60	107
K34S25	47	K42SL80	44	K52S25	45	S01S65	107
K34S35	47	K42SL85	45	K52S30	44	S01S80	107
K34S55	47	K42SL90	44	K52S30B	74	S01S85	107
K34S85	47	K42SL95	45	K52S35	45	S01S90	107
K34S95	47	K42V05	98	K52S50	44	S01S95	107
K41S10	44	K42V35G	76	K52S55	45	S02S00	107
K41S15	45	K43S10	46	K52S80	44	S02S05	107
K41S20	44	K43S15	46	K52S85	45	S02S10	107
K41S25	45	K43S20	46	K52S90	44	S02S15	107
K41S30	44	K43S25	46	K52S95	45	S02S20	107
K41S30B	74	K43S30	46	K52SL10	44	S02S25	107
K41S35	45	K43S35	46	K52SL15	45	S02S40	107
K41S40	44	K43S40	46	K52SL20	44	S02S45	107
K41S45	45	K43S45	46	K52SL25	45	S02S60	107
K41S50	44	K43S50	46	K52SL30	44	S02S65	107
K41S55	45	K43S55	46	K52SL35	45	S02S80	107
K41S80	44	K43S80	46	K52SL50	44	S02S85	107
K41S85	45	K43S85	46	K52SL55	45	S02S90	107
K41S90	44	K43S90	46	K52SL80	44	S02S95	107
K41S95	45	K43S95	46	K52SL85	45	S11S00	107
K41SL10	44	K44S15	47	K52SL90	44	S11S05	107
K41SL15	45	K44S25	47	K52SL95	45	S11S10	107
K41SL20	44	K44S35	47	K52V35G	76	S11S15	107
K41SL25	45	K44S45	47	K53S10	46	S11S20	107
K41SL30	44	K44S55	47	K53S15	46	S11S25	107
K41SL35	45	K44S85	47	K53S20	46	S11S40	107
K41SL50	44	K44S95	47	K53S25	46	S11S45	107
K41SL55	45	K51S10	44	K53S30	46	S11S60	107
K41SL80	44	K51S15	45	K53S35	46	S11S65	107
K41SL85	45	K51S20	44	K53S50	46	S11S80	107
K41SL90	44	K51S25	45	K53S55	46	S11S85	107
K41SL95	45	K51S30	44	K53S80	46	S11S90	107
K41V35G	76	K51S30B	74	K53S85	46	S11S95	107
K42S10	44	K51S35	45	K53S90	46	S12S00	107
K42S15	45	K51S50	44	K53S95	46	S12S05	107
K42S20	44	K51S55	45	K54S15	47	S12S10	107
K42S25	45	K51S80	44	K54S25	47	S12S15	107
K42S30	44	K51S85	45	K54S35	47	S12S20	107
K42S30B	74	K51S90	44	K54S55	47	S12S25	107
K42S35	45	K51S95	45	K54S85	47	S12S40	107
K42S40	44	K51SL10	44	K54S95	47	S12S45	107
K42S45	45	K51SL15	45	K71S20	96	S12S60	107
K42S50	44	K51SL20	44	K71S30	96	S12S65	107
K42S55	45	K51SL25	45	K72S20	96	S12S80	107



Article no.	Page	Article no.	Page	Article no.	Page	Article no.	Page
S12S85	107	S32SL20	26	S41SL20	26	S43S20	28
S12S90	107	S32SL25	27	S41SL22	30	S43S25	28
S12S95	107	S32SL30	26	S41SL25	27	S43S30	28
S31S10	26	S32SL35	27	S41SL27	31	S43S35	28
S31S15	27	S32SL50	26	S41SL30	26	S43S40	28
S31S20	26	S32SL55	27	S41SL32	30	S43S45	28
S31S20B	74	S32SL80	26	S41SL35	27	S43S50	28
S31S25	27	S32SL85	27	S41SL37	31	S43S55	28
S31S30	26	S32SL90	26	S41SL50	26	S43S80	28
S31S35	27	S32SL95	27	S41SL52	30	S43S85	28
S31S50	26	S32V25G	76	S41SL55	27	S43S90	28
S31S55	27	S33S10	28	S41SL57	31	S43S95	28
S31S80	26	S33S15	28	S41SL80	26	S44S15	29
S31S85	27	S33S20	28	S41SL82	30	S44S25	29
S31S90	26	S33S25	28	S41SL85	27	S44S35	29
S31S95	27	S33S30	28	S41SL87	31	S44S45	29
S31SL10	26	S33S35	28	S41SL90	26	S44S55	29
S31SL12	30	S33S50	28	S41SL92	30	S44S85	29
S31SL15	27	S33S55	28	S41SL95	27	S44S95	29
S31SL17	31	S33S80	28	S41SL97	31	S51S10	26
S31SL20	26	S33S85	28	S41V35G	76	S51S15	27
S31SL22	30	S33S90	28	S42S10	26	S51S20	26
S31SL25	27	S33S95	28	S42S15	27	S51S25	27
S31SL27	31	S34S15	29	S42S20	26	S51S30	26
S31SL30	26	S34S25	29	S42S20P	40	S51S30B	74
S31SL32	30	S34S35	29	S42S25	27	S51S30P	40
S31SL35	27	S34S55	29	S42S25P	40	S51S32	30
S31SL37	31	S34S85	29	S42S30	26	S51S32P	41
S31SL50	26	S34S95	29	S42S30B	74	S51S35	27
S31SL52	30	S41S10	26	S42S30P	40	S51S35P	40
S31SL55	27	S41S15	27	S42S35	27	S51S50	26
S31SL57	31	S41S20	26	S42S35P	40	S51S55	27
S31SL80	26	S41S20P	40	S42S40	26	S51S80	26
S31SL82	30	S41S22P	41	S42S45	27	S51S85	27
S31SL85	27	S41S25	27	S42S50	26	S51S90	26
S31SL87	31	S41S25P	40	S42S55	27	S51S95	27
S31SL90	26	S41S27P	41	S42S80	26	S51SL10	26
S31SL92	30	S41S30	26	S42S85	27	S51SL15	27
S31SL95	27	S41S30B	74	S42S90	26	S51SL20	26
S31SL97	31	S41S30P	40	S42S95	27	S51SL25	27
S31V25G	76	S41S32P	41	S42SL10	26	S51SL30	26
S32S10	26	S41S35	27	S42SL15	27	S51SL35	27
S32S15	27	S41S35P	40	S42SL20	26	S51SL50	26
S32S20	26	S41S37P	41	S42SL25	27	S51SL55	27
S32S20B	74	S41S40	26	S42SL30	26	S51SL80	26
S32S25	27	S41S45	27	S42SL35	27	S51SL85	27
S32S30	26	S41S50	26	S42SL50	26	S51SL90	26
S32S35	27	S41S55	27	S42SL55	27	S51SL95	27
S32S50	26	S41S80	26	S42SL80	26	S51V35G	76
S32S55	27	S41S85	27	S42SL85	27	S52S10	26
S32S80	26	S41S90	26	S42SL90	26	S52S15	27
S32S85	27	S41S95	27	S42SL95	27	S52S20	26
S32S90	26	S41SL10	26	S42V05	98	S52S25	27
S32S95	27	S41SL12	30	S42V35G	76	S52S30	26
S32SL10	26	S41SL15	27	S43S10	28	S52S30B	74
S32SL15	27	S41SL17	31	S43S15	28	S52S30P	40

Article no.	Page	Article no.	Page
S52S35	27	Z30.07	100
S52S35P	40		
S52S50	26		
S52S55	27		
S52S80	26		
S52S85	27		
S52S90	26		
S52S95	27		
S52SL10	26		
S52SL15	27		
S52SL20	26		
S52SL25	27		
S52SL30	26		
S52SL35	27		
S52SL50	26		
S52SL55	27		
S52SL80	26		
S52SL85	27		
S52SL90	26		
S52SL95	27		
S52V35G	76		
S53S10	28		
S53S15	28		
S53S20	28		
S53S25	28		
S53S30	28		
S53S35	28		
S53S50	28		
S53S55	28		
S53S80	28		
S53S85	28		
S53S90	28		
S53S95	28		
S54S15	29		
S54S25	29		
S54S35	29		
S54S55	29		
S54S85	29		
S54S95	29		
S71S20	94		
S71S30	94		
S71S32	96		
S72S20	94		
S72S25	94		
S72S30	94		
S72S35	94		
SEVK23S	102		
VD0163	43		
VD0164	43		
VD0165	43		
VD0323	43		
VD0325	43		
VD0633	43		
VD1253	43		
WS0633	43		
WS1253	43		



---

Blank lined writing area consisting of 20 horizontal grey bars.

## Notes

---

A series of 20 horizontal gray bars, each approximately 20 pixels high, spanning the width of the page. These bars are intended for taking notes.



Blank lined area for notes, consisting of 20 horizontal grey bars.

A series of 20 horizontal grey bars, each approximately 20 pixels high, spanning the width of the page. These bars are intended for writing notes.



2009/10



**ABL SURSUM**  
**Bayerische Elektrozubehör**  
**GmbH & Co. KG**

Ottensooser Strasse 22  
D-91207 Lauf / Pegnitz  
Germany

Postfach 10 02 47  
D-91192 Lauf / Pegnitz  
Germany

Telephone: +49 (0)9123 188-0  
Facsimile: +49 (0)9123 188-188

E-Mail: [info@abl-sursum.com](mailto:info@abl-sursum.com)  
Internet: [www.abl-sursum.com](http://www.abl-sursum.com)

**JD Auspice Co.,Ltd.**  
**TEL: 886-2-2595-9780**  
**FAX: 886-2-2595-9412**  
**[service@jdauspice.com](mailto:service@jdauspice.com)**  
**[www.jdauspice.com](http://www.jdauspice.com)**