

Switching Power Supply Type PSU 24 18 DIN Rail mounting

- Universal AC Input Full range
- Installation on DIN Rail 7.5 or 15mm
- Short circuit protection
- Overload protection
- High efficiency
- LED indicator for power on
- Led indication for DC low
- Internal input filter
- CE, TUV approved and cULus Listed



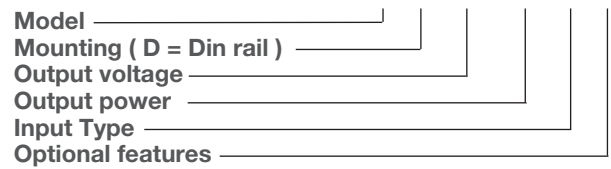
Product Description

The Switching power supplies PSU series are specially designed to be used in all automation application where the

Installation is on a DIN rail and compact dimensions and performance are a must.

Ordering Key

PS U 24 18 1 B



Input type: 1= single phase

Approvals



Optional Features

Description	code
Spring connectors	B

Output data

Output nominal voltage	24Vdc*	Transient recovery time	300 ms
Current	0.75A	Ripple and noise	50mVpp
Output voltage range	-10 to +20% of rated V.	Efficiency typ.	77%
Line regulation	± 1%	Output Voltage accuracy	± 1%
Load regulation	± 2%	Temperature coefficient	± 0.02%/°C
		Hold up Time Vi = 115Vac	20ms
		Hold up time Vi = 230Vac	75ms

Input data

Rated input voltage	100 - 240	Frequency range	47 - 63 Hz
Voltage range		Inrush current	
AC	90 - 265 Vac	Vi= 115Vac	10A
DC	120 - 370 Vdc	Vi= 230Vac	18A

* 5Vdc, 15Vdc and 12Vdc available, see specific data sheets

Switching Power Supply
Type PSU 24 18
DIN Rail mounting

Controls and Protections

Overload	110 - 135%	Output Short Circuit	Hiccup mode
Input Fuse	T2A/250Vac internal*	Dc out On, indicator	21.6Vdc
Overvoltage Protection	125 - 145%	Dc out low, indicator	8 – 21.6Vdc

General data (@ nominal line, full load, 25°C)

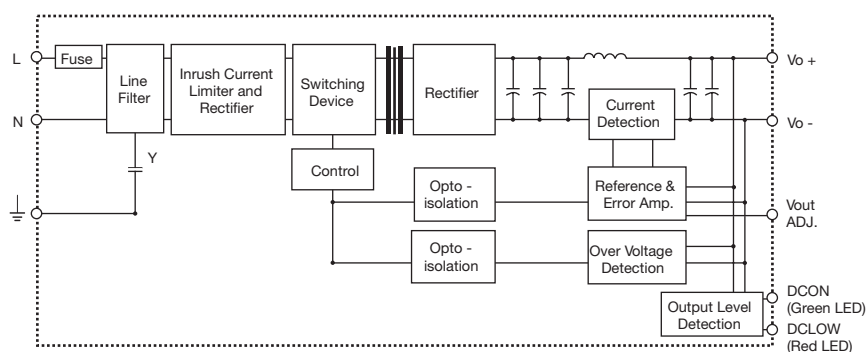
Ambient temperature	-10°C to 71°C	Cooling	Free air convection
Case temperature V/I nom	+85°C	Switching frequency	100kHz
Derating (>60°C to +71°C)	3%/°C	MTBF (MIL-HDBK-217F)	195.000h
Ambient humidity	20 - 90%RH	Case material	Plastic
Storage	-25°C to + 85°C	Dimensions L x W x D	99 x 22.5 x 115
Protection degree	IP20	Weight	150g

Approvals and EMC

Insulation voltage I / O	3.000Vac	CE	EN50081-1 / EN55022 Class B EN50082-1 / EN55024 EN61000-3-2 EN61000-3-3
Insulation resistance	100Mohm		
UL / cUL	UL508, UL60950-1, UL1310 Class2 Recognised		
TUV	EN60950-1		

* fuse not replaceable by user

Block diagrams

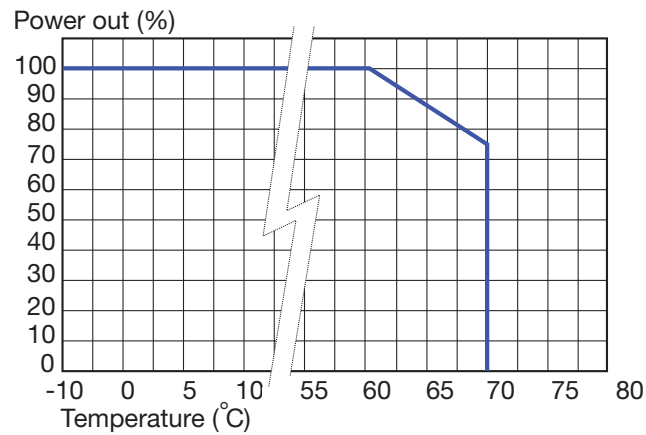


Pin assignement and front controls

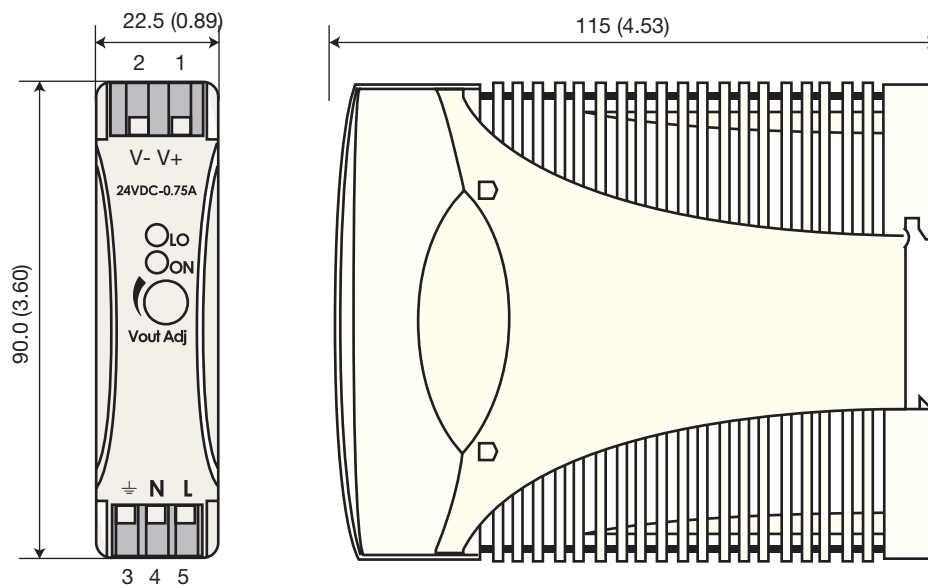
Pin No.	Designation	Description
1	V+	Positive output terminal
2	V-	Negative output terminal
3	GND	Ground terminal to minimise High frequency emissions
4	N	Neutral input (no polarity with DC input)
5	L	Phase input (no polarity with DC input)
	Vout ADJ.	Trimmer for fine output voltage adjustment
	ON	DC output ready LED
	LO	DC low indicator LED

Switching Power Supply
Type PS U 24 18
DIN Rail mounting

Derating Diagram



Mechanical Drawings



Installation

Ventilation and cooling

Normal convection
All sides 25mm free space
for cooling is recommended

Connector size range

Solid: 0.2 – 2mm²
(AWG24-14)
(use copper conductors only)