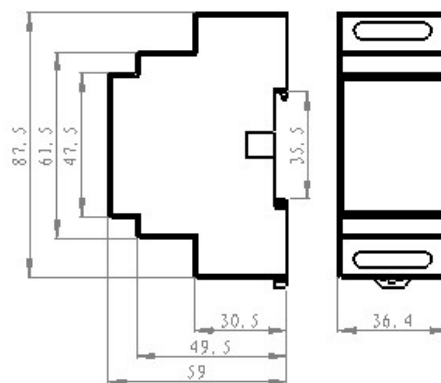
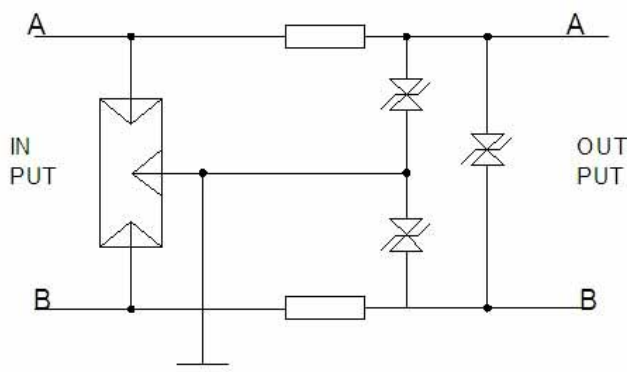


# 信號突波保護器 Type:SSP/24

- 1、突波保護器，適用於2對線保護線
- 2、用於防雷分區0B—2或後續分區
- 3、低電壓保護水平
- 4、直流供電電源保護
- 5、35mmDIN導軌安裝
- 6、限制電壓(突波消除能力)：在Cat. B (@3KA) 測試條件下  $\leq 75V$
- 7、符合IEC61643-21. ANSI/IEEE C62. 41-1991標準



## Technical Data



## Technical Data

|   |                    |
|---|--------------------|
| Model No.   | SSP/24             |
| Nominal line voltage (Un)   | 24V                |
| Max line voltage  | 28V                |
| Nominal Discharge Current (8/20 $\mu$ s,KA) In 10 times                 | 10kA               |
| Total Max. Discharge Current (8/20 $\mu$ s,KA) I <sub>max</sub> 1 time  | 20kA               |
| Impulse current (I <sub>imp</sub> ) (10/350 $\mu$ s KA) impulse 1 times | 5kA                |
| Nominal Current (A) I <sub>L</sub>                                      | 0.5A               |
| Protection level(U <sub>p</sub> ) 8/20 $\mu$ s impulse-3KA              | $\leq 75V$         |
| Series impedance per line (Ohm)   | 2.2 Ohm            |
| Insertion loss at 10MHz (dB)  | $\leq 3.0$         |
| Degree of protection  | IP20               |
| Mounting on   | 35 mm DIN-rail     |
| 接線方式  | 螺絲                 |
| 接線面積  | 1.5mm <sup>2</sup> |
| Enclosure Material  | UL94 V0            |
| Environment Temperature (°C)  | - 40~+80           |

Note: Subject to change without any notice.