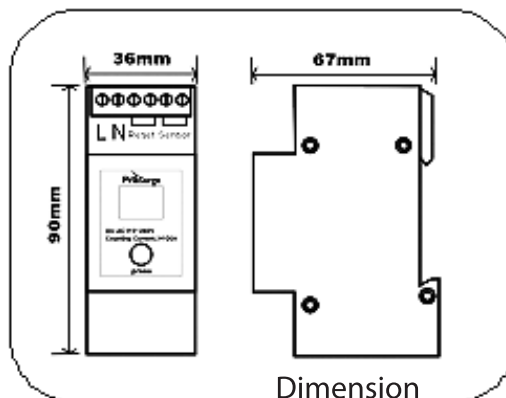


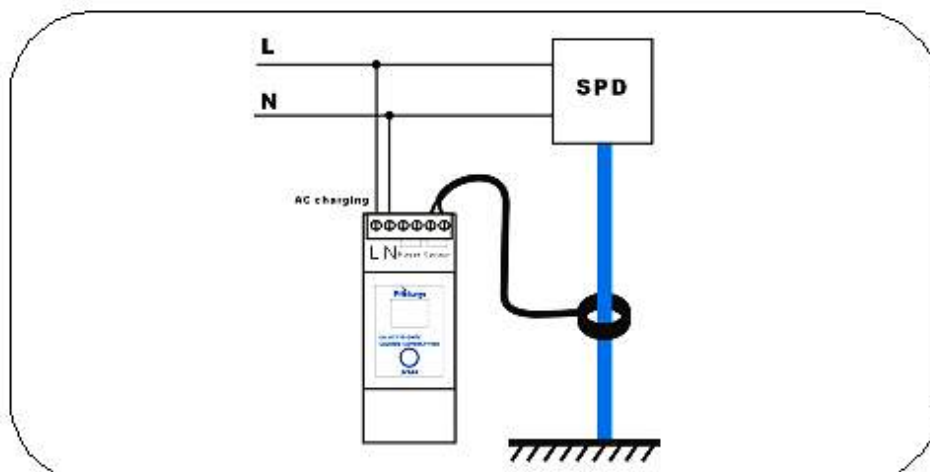
# Lightning Event Count



Lightning event counter is used for testing the lightning event in a certain area. Long service life and Maintenance free. Sensitive response and wide lightning current measuring range, Can be used together with all kinds of lightning protectors and equipment. Record surge or lightning event from trigger threshold 100A.

Type	ECL-A-9
Nominal Voltage	9VDC
Counting Current (rise time $\geq 8\mu\text{s}$ )	$\geq 100\text{A}$
Display Model	LCD
Indicator	Lightning Event 0~99
Reset	short-circuit tow terminals of "RESET"
Current Sample Mode	Inductive Probe
Working mode	Battery 7.2V, rechargeable
Operation temperature ( $^{\circ}\text{C}$ )	-20~+60
Mounting on	35 mm DIN rail
Dimension of counter (mm)	150x80.5x36,2 modules, DIN 43880
Screw torque	0.2Nm
Enclosure material	thermoplastic; extinguishing degree UL94 V-0

Install:



Note: Subject to change without any notice.