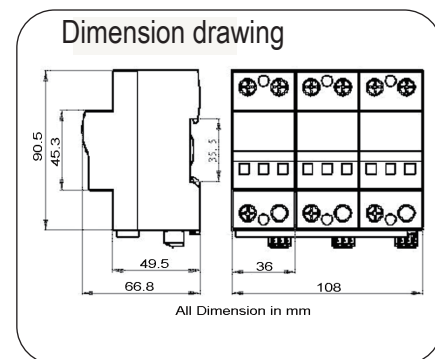
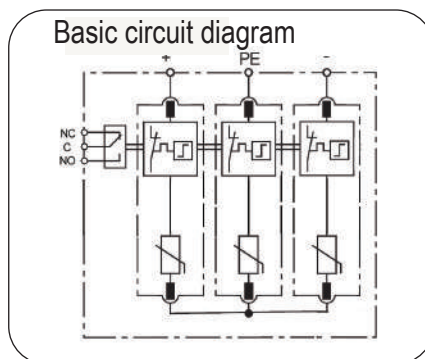


PV25-600-MVCDR



Common mode&Differential mode DC Surge arrester for PV/DC system protection against surges at the boundaries from lightning protection zone 0B-2 and higher.

Type	PV25-600-MVCDR
Nominal Voltage (Un)	600Vdc
Protection mode	Common mode+ Differential mode
In accordance with	EN50539-11:2012 ; IEC61643-11:2011; UL1449 3rd
Category IEC/VDE	I+II/ B+C
Max. continuous operating voltage (V) Ucpv	615Vdc
Nominal discharge current(8/20) In	25kA
Lightning impulse current(10/350) Iimp	25kA
Voltage protection level @ In	3.0kV
Response time	≤25 ns
Follow current	No
Backup fuse(only required if not already provided in mains)	250A gR/gPV (1100Vdc)
Operating temperature range	- 40°C ~ + 80°C
Cross-section of connection wire	Single-strand 35mm ² ; multi-strand 25mm ²
Mounting	35mm DIN-rail in accordance with EN 50022/DIN46277-3
Enclosure material	thermoplastic; extinguishing degree UL94 V-0
Degree of protection	IP20
Installation width	6 modules, DIN 43880
Thermal disconnector	Internal red - failure
Remote alarm contact	Yes
Approvals, Certifications	CE
Additional data for Remote Alarm Contacts	
Remote alarm contact type	Isolated Form C
Switching capability Un/In	AC: 250V/0.5A DC: 250V/0.1A; 125V/0.2A; 75V/0.5A
Max. Size of connecting wire	Max. 1.5mm ² (or # 16AWG)