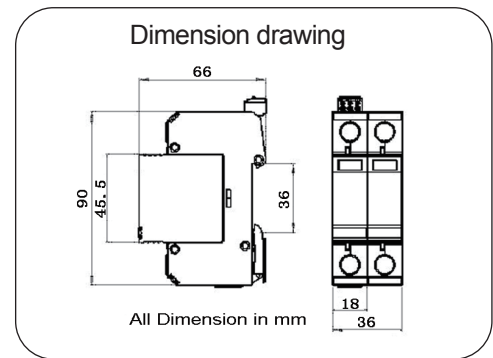
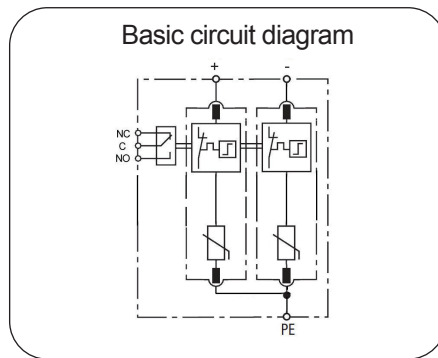


PV20/48-MVCR



Common mode DC Surge arrester for PV/DC system protection against surges at the boundaries from lightning protection zone 1-2 and higher.

Type	PV20/48-MVCR 48	
In accordance with	IEC61643-11:2011; UL1449 3rd	
Category IEC/VDE	II/ C	
Protection Mode	Common mode	
Nominal voltage (Vdc)	Un	48V
Max. continuous operating voltage (Vdc)	Uc	56V
Nominal discharge current(8/20)	In	10kA
Max. discharge current(8/20)	I _{max}	20kA
Voltage protection rating	Up	<280V
	VPR	<150V
Response time	≤25 ns	
Follow current	No	
Backup fuse(only required if not already provided in mains)	63A gR/gPV	
Operating temperature range	- 40°C ~ + 80°C	
Cross-section of connection wire	Single-strand 35mm ² ; multi-strand 25mm ²	
Mounting	35mm DIN-rail in accordance with EN 50022/DIN46277-3	
Enclosure material	thermoplastic; extinguishing degree UL94 V-0	
Degree of protection	IP20	
Installation width	2 modules, DIN 43880	
Thermal disconnecter	Internal green – normal ; red - failure	
Remote alarm contact	Yes	
Approvals, Certifications	CE	
Additional data for Remote Alarm Contacts		
Remote alarm contact type	Isolated Form C	
Switching capability Un/In	AC: 250V/0.5A DC: 250V/0.1A; 125V/0.2A; 75V/0.5A	
Max. Size of connecting wire	Max. 1.5mm ² (or # 16AWG)	

Note: Subject to change without any notice.