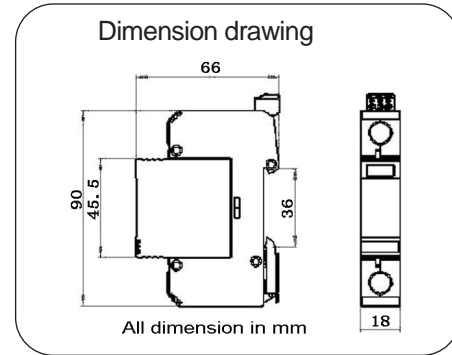
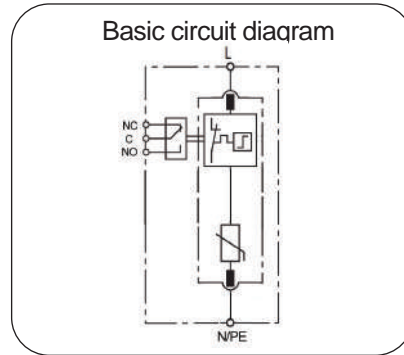


# RLMV20/150



Surge arrester for low-voltage power supply system protection against surges at the boundaries from lightning protection zone 2-3 and higher.

Type	RLMV20/150	
	150	
In accordance with	IEC61643-11:2011; UL1449 3rd	
Category IEC/VDE	III/ D	
Max. continuous operating voltage (AC/DC)	150/200	
Nominal discharge current(8/20) In	10kA	
Max. discharge current(8/20) I <sub>max</sub>	20kA	
Voltage protection level	@In	<0.8kV
	@VPR	<0.5kV
Response time	≤25 ns	
Follow current	No	
Backup fuse(only required if not already provided in mains)	63A gL/gG	
Operating temperature range	- 40°C ~ + 80°C	
Cross-section of connection wire	Single-strand 35mm <sup>2</sup> ; multi-strand 25mm <sup>2</sup>	
Mounting	35mm DIN-rail in accordance with EN 50022/DIN46277-3	
Enclosure material	thermoplastic; extinguishing degree UL94 V-0	
Degree of protection	IP20	
Installation width	1 modules, DIN 43880	
Thermal disconnecter	Internal green – normal ; red - failure	
Remote alarm contact	No	
Approvals, Certifications	CE, RoHS	
Additional data for Remote Alarm Contacts		
Remote alarm contact type	Isolated Form C	
Switching capability Un/I <sub>n</sub>	AC: 250V/0.5A DC: 250V/0.1A; 125V/0.2A; 75V/0.5A	
Max. Size of connecting wire	Max. 1.5mm <sup>2</sup> (or # 16AWG)	