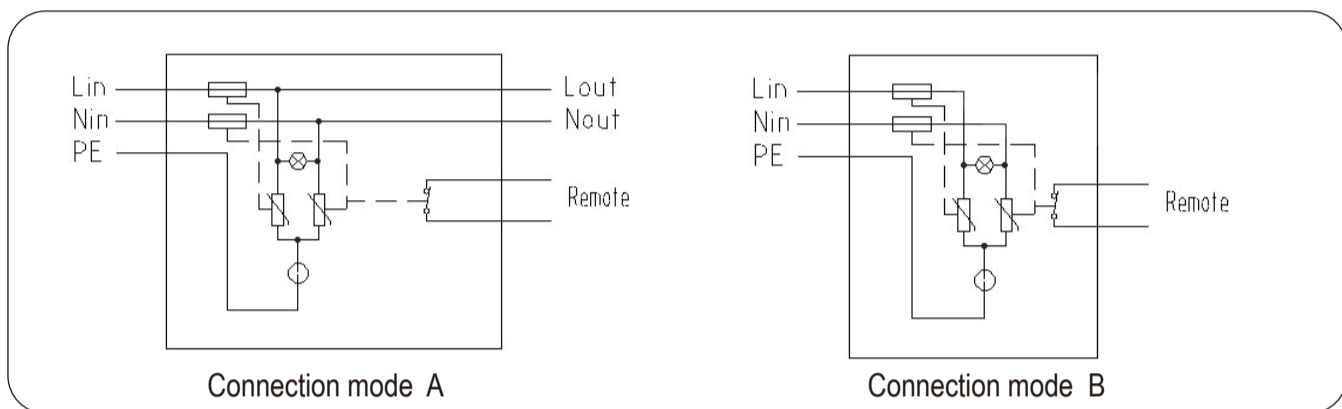
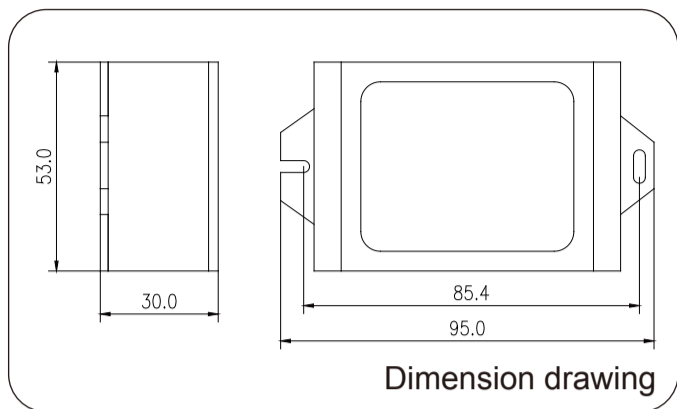


RL(2MV+G)/320-10/x



Basic circuit diagram

The JDA-RL (2MV+G)/xxx-10/x-L is comply to IEC61643-11 and UL 1449 3rd surge protection device (SPD) designed to protect single phase LED lighting applications. Offering full mode protection, LED status indication and with remote alarm contact.

Type	RL(2MV+G)/320-10/x	
In accordance with	IEC61643-11:2011; UL1449 3rd	
Category IEC/VDE/UL	II/ C	
Power system	220-277V single phase	
Max. continuous operating voltage L-N	320Vac/420Vdc	
Rated load Current	3A (Connection mode A only)	
Connection mode B	Protection Failure: Power supply Normal	
Connection mode A	Protection Failure : Power supply Off	
Mode of Protection	Full mode protection	
Nominal discharge current(8/20) In	5kA/Mode	
Max. discharge current(8/20) Imax	10kA/Mode	
Voltage protection level	L/N-PE @In	<1.5kV
	L/N-PE @VPR	<1.0kV
Response time	L-N	≤25 ns
	L/N-PE	≤100 ns
Follow current	No	
Backup fuse(only required if not already provided in mains)	32A gL/gG	
Thermal disconnecter	internal	
Protect Status Indication	Normal= Blue LED ON ; Replace=Blue LED Off	
Operating temperature range	- 40°C ~ + 70°C	
connection wire	16AWG(L=red; N=blue; PE=y/g)	
Mounting	wall or plate	
Degree of protection	IP20	
Dimension	90*53*30mm	
Altitude	≤3000m	
Relative Humidity	≤95% Non Condensing	
Remote alarm contact	NC	

Note: Subject to change without any notice.