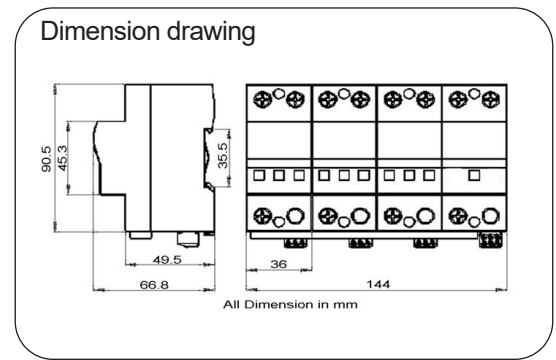
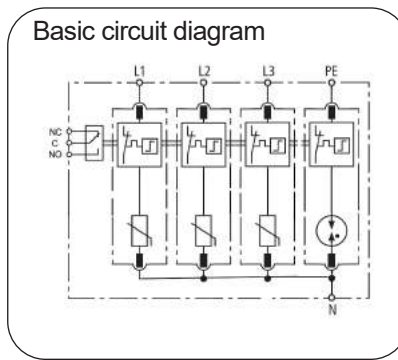


D3-80/xxx-3VG-R



Type 2 AC surge arrester designed for low-voltage power supply system protection against surges at the boundaries from lightning protection zone 1-2 and higher.

- Comply with IEC 61643-11, apply to TT and TN-S systems ("3+1" circuit).
- High Discharge Capacity with 8/20 us waveform, I_{max} 80kA
- Reliable supervision due to disconnection device
- Fast response
- Visual status indication and remote signal contact available.

Part No.	D1-80/175-3VG-R	D3-80/320-3VG-R	D3-80/385-3VG-R
In accordance with	IEC61643-11:2011; UL1449 3 rd		
Category IEC/VDE	II/ C		
Max. continuous operating voltage (AC/DC) U _c	L – N(AC/DC)	175/225	320/420
	N – PE (AC)	150	255
Nominal discharge current(8/20) I _n	L-N	40kA	
	N-PE	40kA	
Max. discharge current(8/20) I _{max}	L-N	80kA	
	N-PE	80kA	
Voltage protection level U _p	L-N@I _n	<0.8kV	<1.5kV
	L-N@V _{PR}	<0.6kV	<1.1kV
	N-PE (1.2/50)	<0.8kV	<1.5kV
Response time	L-N	≤25 ns	
	N-PE	≤100 ns	
Follow current	L-N	No	
	N-PE	Ifi: 100Arms @ 255Vac	
Backup fuse(only required if not already provided in mains)	200A gL/gG		
Operating temperature range	- 40°C ~ + 80°C		
Cross-section of connection wire	Single-strand 35mm ² ; multi-strand 25mm ²		
Mounting	35mm DIN-rail in accordance with EN 50022/DIN46277-3		
Enclosure material	thermoplastic; extinguishing degree UL94 V-0		
Degree of protection	IP20		
Installation width	8 modules, DIN 43880		
Thermal disconnecter	Internal red - failure		
Remote alarm contact	Optional		
Approvals, Certifications	CE		
Additional data for Remote Alarm Contacts			
Remote alarm contact type	Isolated Form C		
Switching capability U _n /I _n	AC: 250V/0.5A DC: 250V/0.1A; 125V/0.2A; 75V/0.5A		
Max. Size of connecting wire	Max. 1.5mm ² (or # 16AWG)		

Note: Subject to change without any notice.