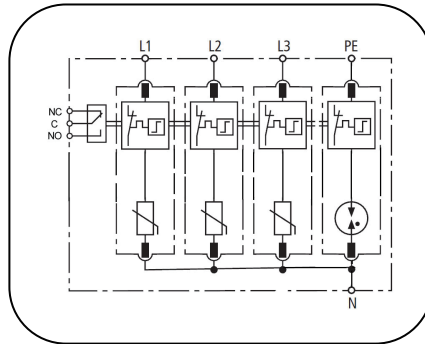
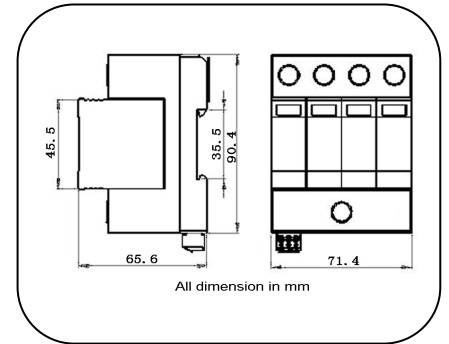


D3-40/385-3VG-R



Basic circuit diagram



Dimension drawing

Type 2 AC surge arrester designed for low-voltage power supply system protection against surges at the boundaries from lightning protection zone 1-2 and higher.

- Comply with IEC 61643-11, apply to TT and TN systems ("3+1" Circuit)
- Pluggable design, 4 poles, easy replaced without any tools.
- High Discharge Capacity with 8/20 us waveform, I_{max} 40kA
- Visual status indication and remote signal contact available.
- Applications-AC/DC Drives, LT Panels, MCC, PCC, CNC machines, PLC etc

Part No.	D3-40/385-3VG-R	
In accordance with	IEC61643-11:2011; UL14494th	
Category IEC/VDE	II/ C	
Max. continuous operating voltage U _c	L – N(AC/DC)	385/505
	N – PE(AC)	255
Nominal discharge current(8/20) I _n	L–N	20kA
	N-PE	20kA
Max. discharge current(8/20) I _{max}	L-N	40kA
	N-PE	40kA
Voltage protection level U _p	L–N@I _n	<1.8kV
	L–N@VPR	<1.3kV
	N–PE (1.2/50)	<1.5kV
Response time	L-N	≤25 ns
	N-PE	≤100 ns
Follow current	L-N	No
	N-PE	I _{fi} : 100Arms @ 255Vac
Backup fuse(only required if not already provided in mains)	125A gL/gG	
Operating temperature range	- 40°C ~ + 80°C	
Cross-section of connection wire	Single-strand 35mm ² ; multi-strand 25mm ²	
Mounting	35mm DIN-rail in accordance with EN 50022/DIN46277-3	
Enclosure material	thermoplastic; extinguishing degree UL94 V-0	
Degree of protection	IP20	
Installation width	4 modules, DIN 43880	
Thermal disconnecter	Internal green – normal ; red - failure	
Remote alarm contact	Yes	
Approvals, Certifications	CE	
Remote alarm contact type	Isolated Form C	
Switching capability Un/I _n	AC: 250V/0.5A DC: 250V/0.1A; 125V/0.2A; 75V/0.5A	
Max. Size of connecting wire	Max. 1.5mm ² (or # 16AWG)	

Note: Subject to change without any notice.