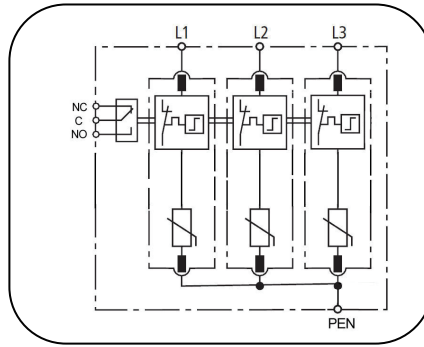
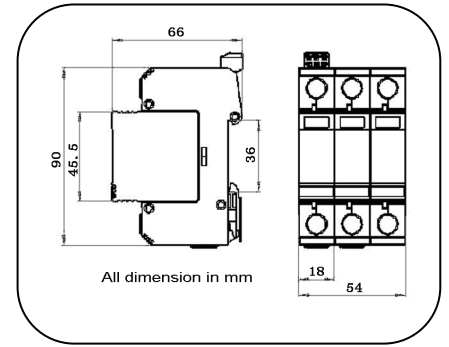


D3-50/420-3MV-R



Basic circuit diagram



Dimension drawing

Type 1 surge protective device especially designed for low-voltage power supply system at the boundaries from lightning protection zone 1-2 and higher.

- UL for type 1CA, passed intermediate current 100A, 500A, 1000A and short circuit current rating (SCCR) 200kA without external fuse or circuit breaker.
- ETL certified surge protector according to UL1449-4th
- Pluggable design with window fault indication
- Nominal discharge current I_n 20kA 8/20 per pole, max discharge current I_{max} 50kA 8/20 per pole
- High reliability due to global patented thermally protected MOV (TMOV) with special arc-extinguish device

Part No.	D3-50/420-3MV-R	
In accordance with	UL1449-4th	
Category IEC/VDE	Type1CA	
Max. continuous operating voltage MCOV (VAC/VDC)	420/560	510/670
Nominal discharge current(8/20) I_n	20kA	
Max. discharge current(8/20) I_{max}	50kA	
Voltage protection rating @ VPR	<1.5kV	<1.5kV
Response time	≤ 25ns	
Follow current	No	
Backup fuse(only required if not already provided in mains)	125A gL/gG	
Operating temperature range	- 40°C ~ + 80°C	
Cross-section of connection wire	Single-strand 35mm ² ; multi-strand 25mm ²	
Mounting	35mm DIN-rail in accordance with EN 50022/DIN46277-3	
Enclosure material	thermoplastic; extinguishing degree UL94 V0	
Degree of protection	IP20	
Installation width	3 modules, DIN 43880	
Thermal disconnecter	Internal green – normal ; red - failure	
Remote alarm contact	Yes	
Short circuit current rating (SCCR)	200kArms	
Approvals, Certifications	ETL/CE	
Remote alarm contact type	Isolated Form C	
Switching capability I_n/I_n	AC: 250V/0.5A DC: 250V/0.1A; 125V/0.2A; 75V/0.5A	
Max. Size of connecting wire	Max. 1.5mm ² (or # 16AWG)	

Note: Subject to change without any notice.