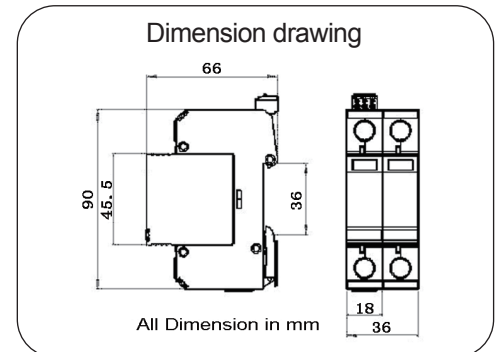
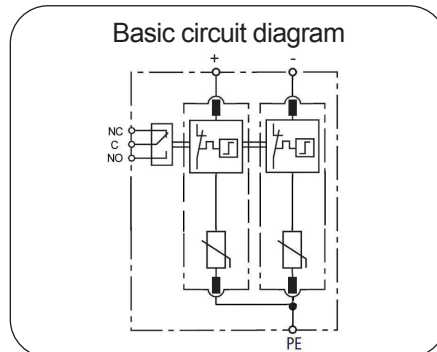
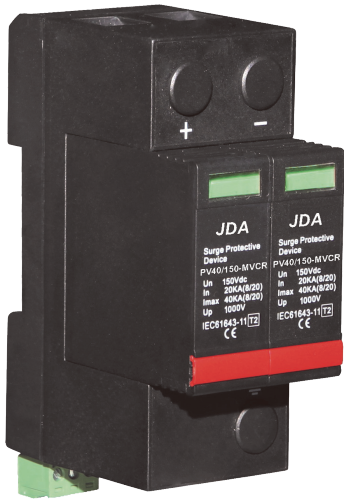


# PV40-150-MVCR



Type 2 surge arrester designed for low voltage DC system against surges at the boundaries from lightning protection zone 0B-2 and higher.

- ⊙ In accordance with IEC61643-11
- ⊙ DC SPD for common mode protection
- ⊙ Pluggable module design, easy replacement
- ⊙ High discharge current 40kA 8/20
- ⊙ Reliable supervision due to disconnection device
- ⊙ Fault indication by red indication flag in window
- ⊙ With remote alarm terminal optional

Part No.	PV40-150-MVCR	
In accordance with	IEC61643-11:2011	
Category IEC/VDE	II/ C	
Protection Mode	Common mode	
Nominal voltage (Vdc)	Un	150VDC
Max. continuous operating voltage (Vdc)	Ucpv	180VDC
Nominal discharge current(8/20)	In	20kA
Max. discharge current(8/20)	I <sub>max</sub>	40kA
Voltage protection rating	Up	<1.0kV
	VPR	<0.6kV
Response time	≤ 25ns	
Backup fuse(only required if not already provided in mains)	125A gR/gPV	
Operating temperature range	- 40°C ~ + 80°C	
Cross-section of connection wire	Single-strand 35mm <sup>2</sup> ; multi-strand 25mm <sup>2</sup>	
Mounting	35mm DIN-rail in accordance with EN 50022/DIN46277-3	
Enclosure material	thermoplastic; extinguishing degree UL94 V-0	
Degree of protection	IP20	
Installation width	2 modules, DIN 43880	
Thermal disconnecter	Internal green – normal ; red - failure	
Remote alarm contact	Yes	
Approvals, Certifications	CE	
Remote alarm contact type	Isolated Form C	
Switching capability Un/In	AC: 250V/0.5A DC: 250V/0.1A; 125V/0.2A; 75V/0.5A	
Max. Size of connecting wire	Max. 1.5mm <sup>2</sup> (or # 16AWG)	

Note: Subject to change without any notice.