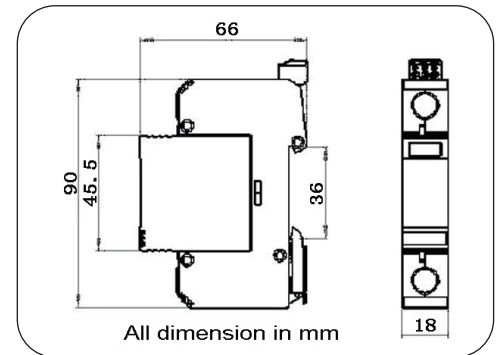
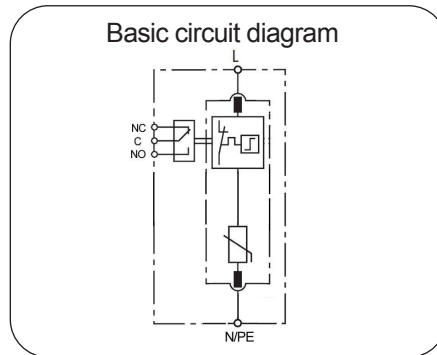


# MV80P/320-R



Type 2 AC surge arrester designed for low-voltage power supply system protection against surges at the boundaries from lightning protection zone 1-2 and higher.

- ⊙ Multi MOV technology
- ⊙ Individual fault window indication
- ⊙ slim 18mm, pluggable type design
- ⊙ I<sub>max</sub> 80kA 8/20, I<sub>n</sub> 40kA 8/20, UL1449 4th compliance
- ⊙ Reliable supervision due to disconnection device

Part No.	MV80P/320-R	
In accordance with	IEC61643-11:2011	
Category IEC/VDE	II/ C	
Max. continuous operating voltage (AC/DC) U <sub>c</sub>	320/420	
Nominal discharge current(8/20) I <sub>n</sub>	40kA	
Max. discharge current(8/20) I <sub>max</sub>	80kA	
Voltage protection level U <sub>p</sub>	@I <sub>n</sub>	<1.5kV
	@VPR	<1.1kV
Response time	≤ 25ns	
Follow current	No	
Backup fuse(only required if not already provided in mains)	200A gL/gG	
Operating temperature range	- 40°C ~ + 80°C	
Cross-section of connection wire	Single-strand 35mm <sup>2</sup> ; multi-strand 25mm <sup>2</sup>	
Mounting	35mm DIN-rail in accordance with EN 50022/DIN46277-3	
Enclosure material	thermoplastic; extinguishing degree UL94 V-0	
Degree of protection	IP20	
Installation width	1 module, DIN 43880	
Thermal disconnect	Internal red - failure	
Remote alarm contact	Yes	
Approvals, Certifications	CE	
Remote alarm contact type	Isolated Form C	
Switching capability U <sub>n</sub> /I <sub>n</sub>	AC: 250V/0.5A DC: 250V/0.1A; 125V/0.2A; 75V/0.5A	
Max. Size of connecting wire	Max. 1.5mm <sup>2</sup> (or # 16AWG)	

Note: Subject to change without any notice.