

## DC-Load break switch Model S5000 – 250A 1000V DC21B



\*\* Photo sample. Similar size and design, but different rating.  
New handle.

Standards. IEC 60947-1 & 3

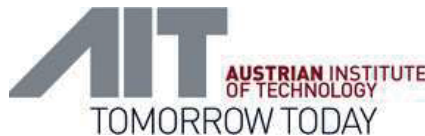
Quality Telergon, S.A.U.

ISO 9001 & 14001



Testing as per IEC 60947-3. Approvals

Austrian Institute of  
Technology



### Electrical data (according to IEC 60947-3)

Thermal current  $I_{th}(-30 \text{ to } 50 \text{ }^\circ\text{C})$  315 A

Rated insulation voltage  $U_i$  (V) 1000

Rated impulse withstand voltage  $U_{imp}$  (kV) 8

DC Rated operational current  $I_e$  (A)

Voltage (DC)	Category of operation	$I_e$
400 V	DC 21B	315
600 V	DC 21B	315
800 V	DC 21B	280
900 V	DC 21B	260
1000 V	DC 21B	250

\*\* Please consult for other voltages and/or category of operation

### Short-circuit behaviour

Short-circuit making capacity (peak value)  $I_{cm}$  20kA

Short-time withstand current (1 sec) (rms)  $I_{cw}$  12kA

Conditional short-circuit current (rms value) 100kA

Maximum cut-off current (peak value) 33kA

### Connection capacity

Bar (Thickness / Width) (mm) 7/25

Rigid cable (mm<sup>2</sup>) 185

Max. Connecting copper bar (mm) 25

Tightening torque (N·m) 18

### Mechanical data

Minimum number of operations (as per standard) without load 20000

Maximum weight (4 pole molded case) (kg) 1,9

### Codes

Case size (A)	Poles	Code	Code for direct handle
Size 1	4P	S5-03154PRO	DS-SI11

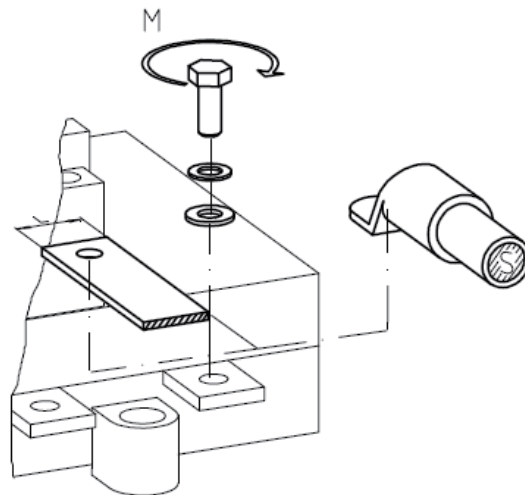
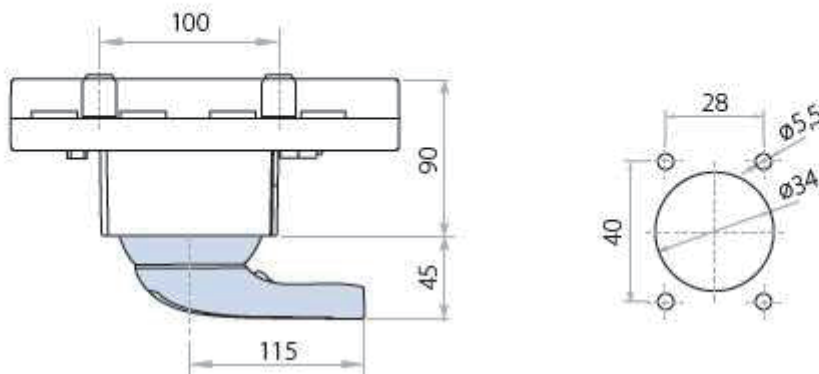
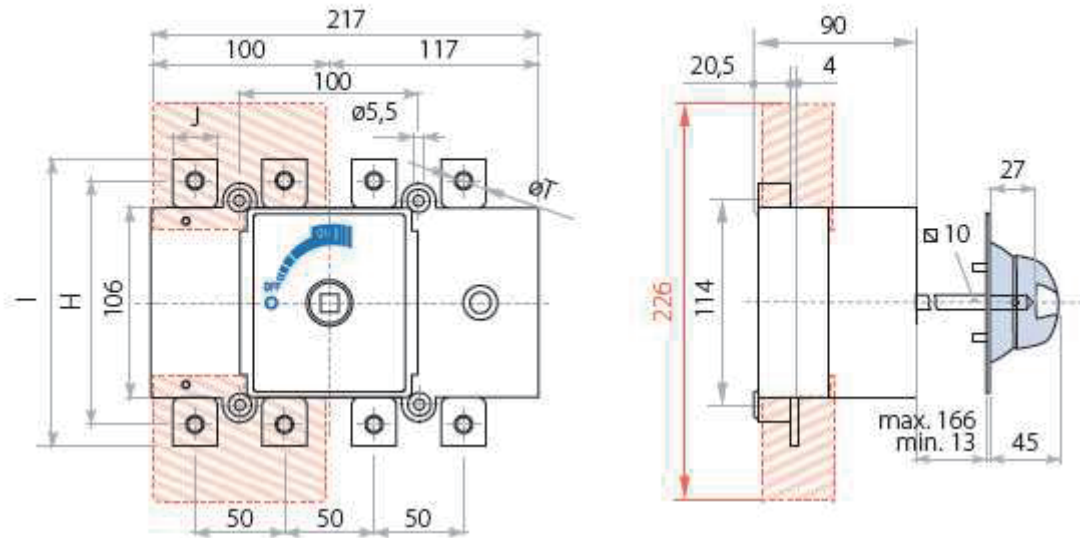
### Accessories

Panel handle	DS-SA11
Bridging links	DS-PI11
Protective plate	DS-CU12
Auxiliary contact	D5LAU01



DC Switch-Disconnecter  
S5-03154PRO

**JDA** JD Auspice Co., Ltd.



S5000	I <sub>th</sub>	H	L	J	φT	M N×m	S max. (Cu) mm <sup>2</sup>		
								H max. (Cu) mm	L max. (Cu) mm
1	315A	143	167	25	M10	18	185	7	25



DC Switch-Disconnecter  
S5-03154PRO

JDA JD Auspice Co., Ltd.

# DC-Load break switch Model S6000 – 400A 1000V DC21B



\*\* Photo sample. Similar size and design. New handle.

Standards. IEC 60947-1 & 3

Quality Telergon, S.A.U.

ISO 9001 & 14001



Testing as per IEC 60947-3. Approvals



## Electrical data (manufactured according to IEC 60947-3)

Thermal current I <sub>th</sub> (-30 to 50 °C)	400A
Rated insulation voltage U <sub>i</sub> (V)	1500
Rated impulse withstand voltage U <sub>imp</sub> (kV)	12
DC Rated operational current I <sub>e</sub> (A)	
Voltage (DC)      Category of operation	I <sub>e</sub>
1000 V              DC 21B	400
** Please consult for other voltages and/or category of operation	

## Short-circuit behaviour

Short-circuit making capacity (peak value)	I <sub>cm</sub>	20kA
Short-time withstand current (1 sec) (rms)	I <sub>cw</sub>	12kA

## Connection capacity

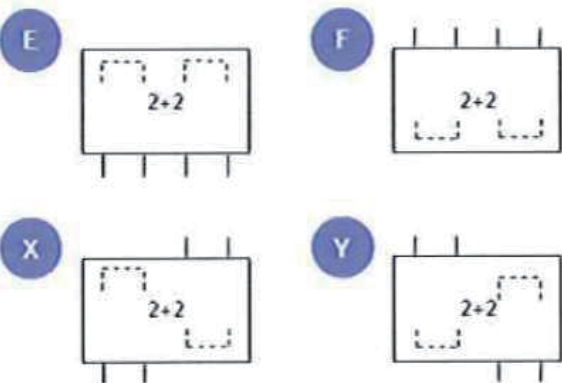
Bar (Thickness / Width) (mm)	7/35
Rigid cable (mm <sup>2</sup> )	240
Max. Connecting copper bar (mm)	35
Tightening torque (N·m)	18

## Mechanical data

Minimum number of operations (as per standard) without load	20000
Maximum weight (4 pole molded case) (kg)	2,14

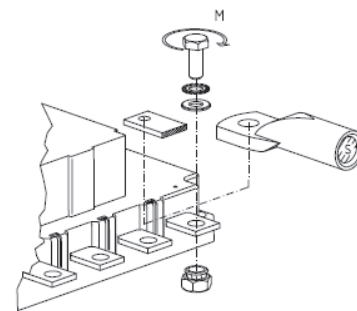
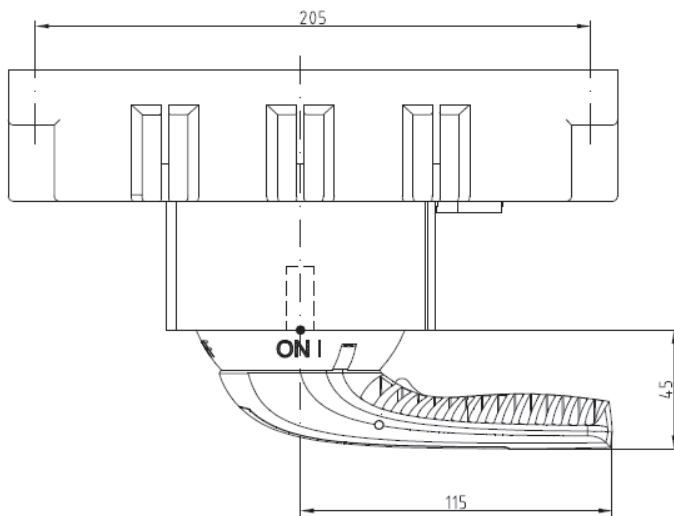
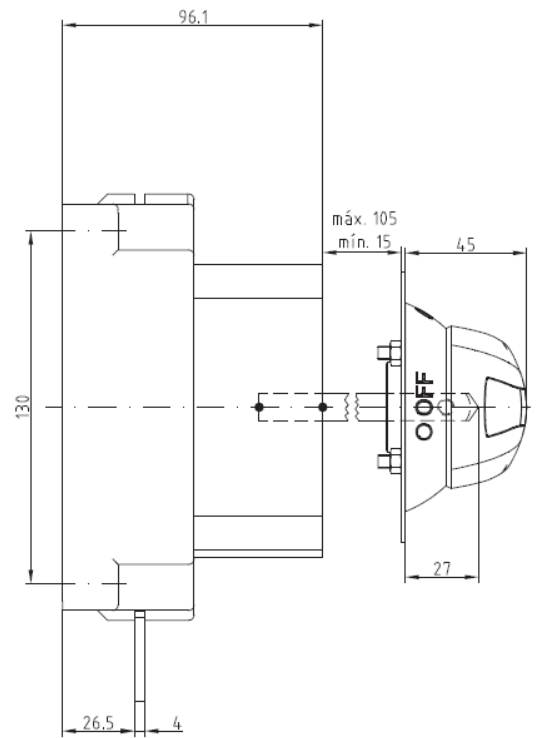
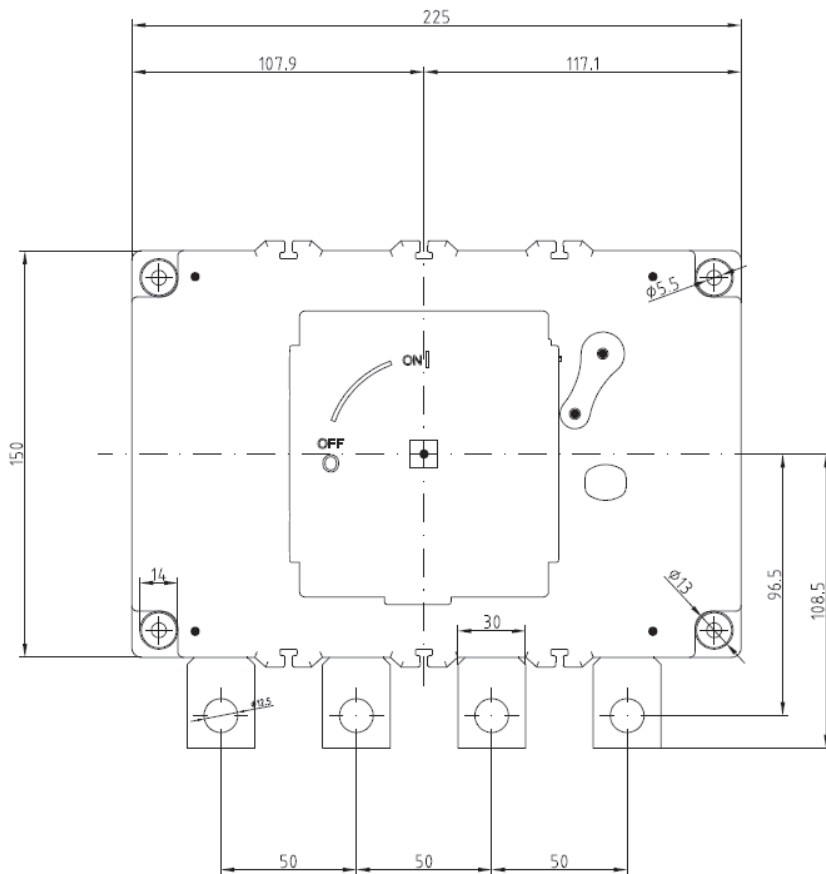
## Codes

Configuration	Poles	Code	Accessories	Reference
Type E	2	S6-04002ED0	Panel Handle	DS-SA11
Type F	2	S6-04002FD0	Direct handle	DA-SI11
Type X	2	S6-04002XD0	Spacers	DR-EL11
Type Y	2	S6-04002YD0	Phase barriers	DR-SF11
			Aux. contacts	D5LAU01
			Protective plate	DR-CU13



DC Switch-Disconnecter  
S5-03154PRO

**JDA** JD Auspice Co., Ltd.



IEC	Ith	S max (Cu)		H max (Cu)		L max (Cu)		T	M	
		mm <sup>2</sup>	in <sup>2</sup>	mm	in	mm	in		Nxm	lbfxin
	400 A	240	0.37	7	0.28	35	1.38	M10	18	115 min 159 max



DC Switch-Disconnecter  
S5-03154PRO

JDA JD Auspice Co., Ltd.

# DC-Load break switch Model S6000N – 400A 1500V DC21B



## Electrical data (according to IEC 60947-3)

Thermal current I <sub>th</sub> (-30 to 50 °C)	400A	
Rated insulation voltage U <sub>i</sub> (V)	1500	
Rated impulse withstand voltage U <sub>imp</sub> (kV)	8	
DC Rated operational current I <sub>e</sub> (A)		
Voltage (DC)	Category of operation	I <sub>e</sub>
1500 V	DC 21B	400
** Please consult for other voltages and/or category of operation		

Standards. IEC 60947-1 & 3

Quality Telergon, S.A.U.

ISO 9001 & 14001



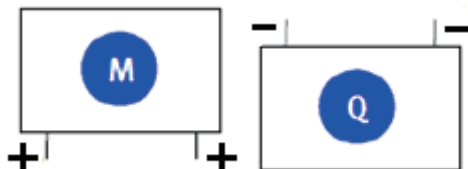
## Short-circuit behaviour

Short-circuit making capacity (peak value)	I <sub>cm</sub>	20kA
Short-time withstand current (1 sec) (rms)	I <sub>cw</sub>	12kA

## Connection capacity

Bar (Thickness / Width) (mm)	7/30
Rigid cable (mm <sup>2</sup> )	185
Max. Connecting copper bar (mm)	30
Tightening torque (N·m)	18

## CONNECTION DIAGRAM (4+0)



## Mechanical data

Minimum number of operations (as per standard) without load	1600
Maximum weight (4 pole molded case) (kg)	*
*to be confirmed (depending on configuration)	

## Codes

Case size (A)	Poles	Code	Code for direct handle
Size 1	1	S6N0400MQD0	DS-S111

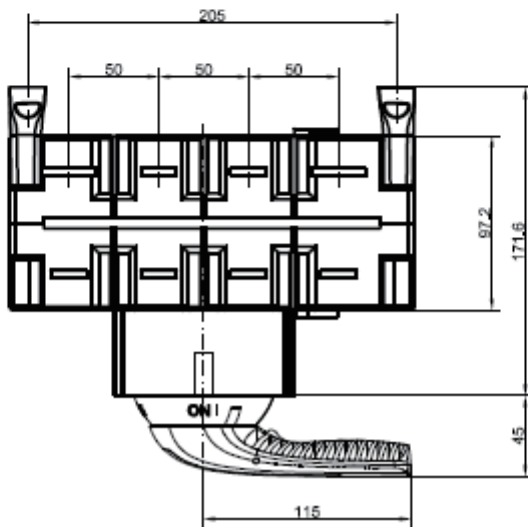
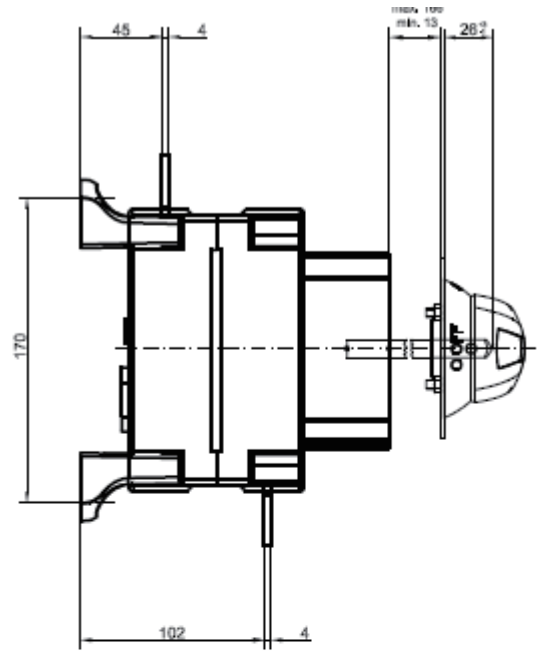
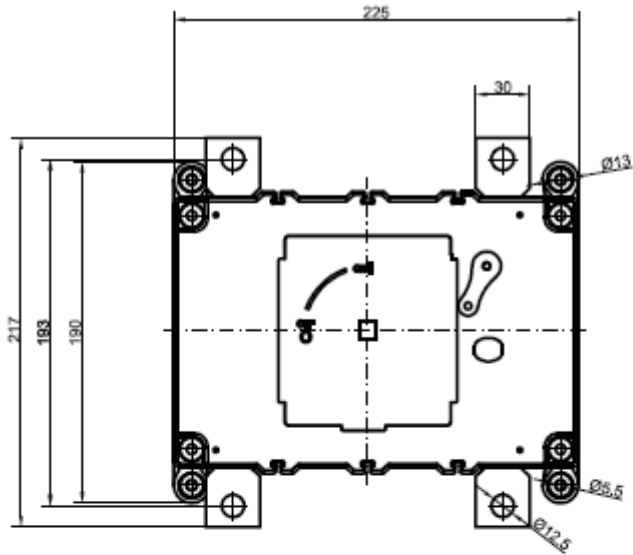
## Accessories

Panel handle	DS-SA11
Terminal shroud	DS-CU13
Spacer	DR-EL11
Phase barrier	DR-SF13
Auxiliary contact	D5LAU01



DC Switch-Disconnecter  
S5-03154PRO

**JDA** JD Auspice Co., Ltd.



IEC	Ith	S max (Cu)		H max (Cu)		L max (Cu)		T	M	
		mm <sup>2</sup>	in <sup>2</sup>	mm	in	mm	in		Nxm	lbfxin
	400A	185	0.29	7	0.28	30	1.18	M10	18	115 min 159 max



DC Switch-Disconnecter  
S5-03154PRO

JDA JD Auspice Co., Ltd.