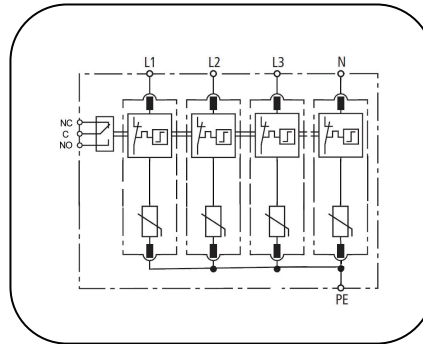
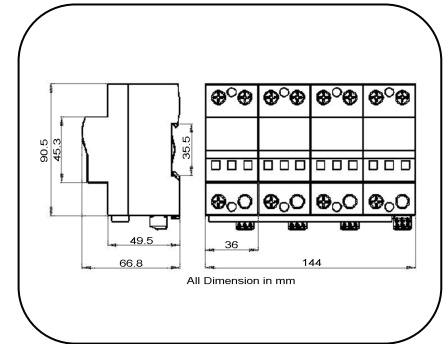


D3-160/420-4MV-R



Basic circuit diagram



Dimension drawing

Type 1+2 surge arrester designed for low-voltage power supply system protection against surges at the boundaries from lightning protection zone OB -2 and higher.

- Class I+II/B+C SPD in accordance with IEC61643-11
- Non-pluggable protection module to avoid flashover caused by high impulse current
- High surge capacity of 15kA 10/350, 160kA 8/20
- Reliable supervision due to disconnection device
- Fault indication by red indication flag in window
- Fast response
- With remote alarm terminal optional

Part No.	D3-160/420-4MV-R	
In accordance with	IEC61643-11:2011	
Category IEC/VDE	I+ II / B+C	
Max. continuous operating voltage \bar{U}_c (AC/DC)	420/560	
Nominal discharge current(8/20) I_n	80kA	
Max. discharge current(8/20) I_{max}	160kA	
Lightning impulse current(10/30) I_{imp}	15kA	
Voltage protection level	@ I_n	<2.0kV
	@VPR	<1.4kV
Response time	≤25 ns	
Follow current	No	
Backup fuse(only required if not already provided in mains)	315A gL/gG	
Operating temperature range	- 40°C ~ + 80°C	
Cross-section of connection wire	Single-strand 35mm ² ; multistrand 25mm ²	
Mounting	35mm DIN-rail in accordance with EN 50022/DIN46273	
Enclosure material	thermoplastic; extinguishing degree UL94-V0	
Degree of protection	IP20	
Installation width	8 modules, DIN 43880	
Thermal disconnecter	Internal red - failure	
Remote alarm contact	Yes	
Approvals, Certifications	CE	
Remote alarm contact type	Isolated Form C	
Switching capability I_d/I_n	AC: 250V/0.5A DC: 250V/0.1A; 125V/0.2A; 75V/0.5A	
Max. Size of connecting wire	Max. 1.5mm ² (or # 16AWG)	

Note: Subject to change without any notice.