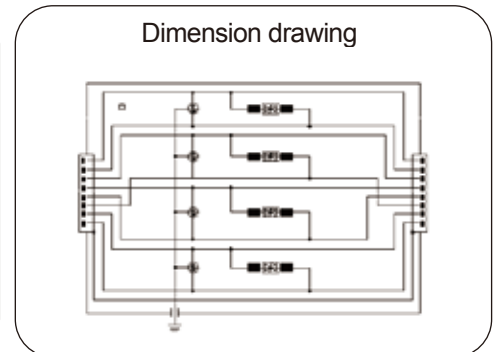
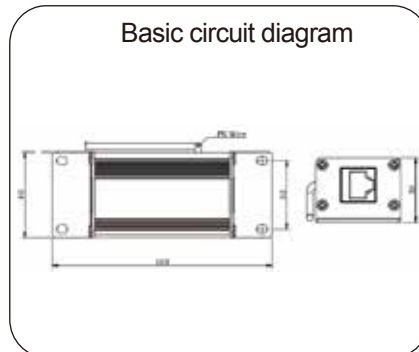




# DN-48-RJ45-CAT6HS(POE)



This Cat6-PoE Protector is designed for protecting Gigabit Ethernet terminals such as Internet camera, IP Telephone sets, and wireless access point, suitable for use in category location B, C (ANSI/IEEE C62.41) or directly at the upstream near the protected devices.

- ⊙ Data network protector In according with standard IEEE802.3at/af,UL497b,IEC61643-21
- ⊙ PoE compatible, Ethernet CAT6 system protection
- ⊙ High discharge capability, total nominal discharge current 10kA 8/20 and Lightning current up to 1.0KA
- ⊙ In aluminum housing
- ⊙ RJ45 connector for cat6 network technology, 100BaseT, 1000BaseT/1000BaseTx, 8 wires protection

Part No.	DN-48/RJ45-CAT6/HS(POE)	
In accordance with	IEEE 802.3at/af, UL497b,EN50173 Category 6,IEC 61643-21	
Nominal voltage (Vdc) Un	48V	
Max. continuous operating voltage (Vdc) Uc	68V	
C2 Nominal discharge current(8/20us) In	2.5kA	
C2 Total nominal Discharge Current (8/20us)	10kA	
Lightning impulse current (10/350)	Iimp	0.5kA
Nominal Current	IL	800mA
Voltage protection level (V)	@C2 (8/20μs)Up	<190(L-L); <500(L-G)
	@C3 (1KV/μs)Up	<145(L-L); <600(L-G)
Insertion loss dB	≤ 0.1	
Transmission Speed	1000Mbps	
SPD + 100 m CAT6 Ethernet cable Transmission performance	CAT6 channel test pass	
Technology	Two-stage protection circuit, GDT/SAD tech	
Transmission standards	10BaseT/ 100BaseT/1000BaseT /1000BaseTX(CAT6)/PoE	
Pinning	1/2, 3/6, 4/5, 7/8for data; 1&2/ 3&6,4&5/ 7&8 for PoE	
Mounting	Flange	
Material	Aluminum	
Type of Connection IN/OUT	RJ45 (shielded)Female/ Female	
Dimensions (mm)	103*40 *30	
Operating temperature range	-40° C ~ +85° C (operating current adjusted to 40% @ +85° C)	

Note: Subject to change without any notice.