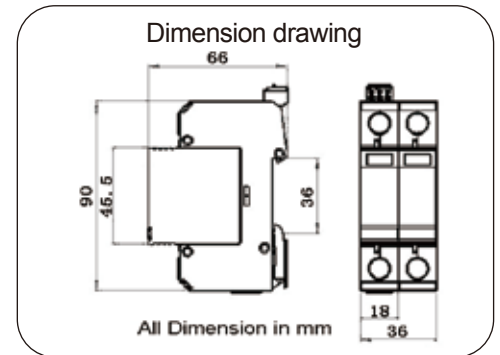
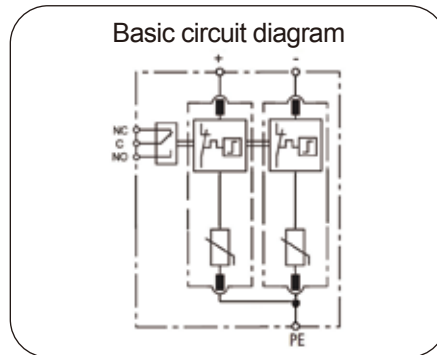


PV20/xx-MVCR



Type 2 surge arrester designed for low voltage DC system against surges at the boundaries from lightning protection zone 0B-2and higher.

- ⊙ In accordance with IEC61643-11 and UL1449-4th
- ⊙ DC SPD for common mode protection
- ⊙ Pluggable module design, easy replacement
- ⊙ High discharge current 20kA 8/20
- ⊙ Reliable supervision due to disconnection device
- ⊙ Fault indication by red indication flag in window
- ⊙ With remote alarm terminal optional

Part No.		PV20/24-MVCR	PV20/36-MVCR
In accordance with		IEC61643-11:2011; UL1449-4th	
Category IEC/VDE		II/ C	
Protection Mode		Common mode	
Nominal voltage (Vdc)	Un	24	36
Max. continuous operating voltage(Vdc)	Uc	38	45
Nominal discharge current(8/20 μ s)	In	10kA	
Max. discharge current(8/20 μ s)	I _{max}	20kA	
Voltage protection rating	Up	<200V	<250V
	VPR	<100V	<120V
Response time		≤ 25ns	
Follow current		No	
Backup fuse(only required if not already provided in mains)		63A gR/gPV	
Operating temperature range		- 40°C ~ + 80°C	
Cross-section of connection wire		Single-strand 35mm ² ; multi-strand 25mm ²	
Mounting		35mm DIN-rail in accordance with EN 50022/DIN46277-3	
Enclosure material		thermoplastic; extinguishing degree UL94 V-0	
Degree of protection		IP20	
Installation width		2 modules, DIN 43880	
Thermal disconnecter		Internal green – normal ; red - failure	
Remote alarm contact		Yes	
Approvals, Certifications		CE	
Remote alarm contact type		Isolated Form C	
Switching capability Un/In		AC: 250V/0.5A DC: 250V/0.1A; 125V/0.2A; 75V/0.5A	
Max. Size of connecting wire		Max. 1.5mm ² (or # 16AWG)	

Note: Subject to change without any notice.