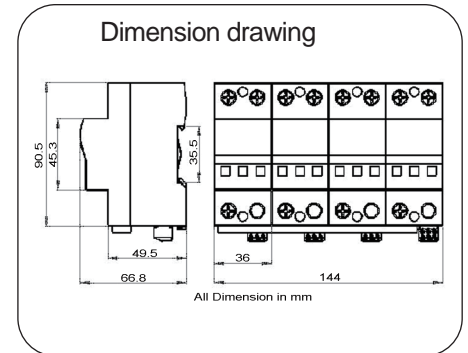
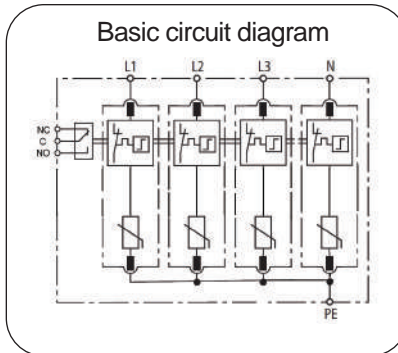


D380-385-4MV(-R)



Surge arrester for low-voltage power supply system protection against surges at the boundaries from lightning protection zone 1-2 and higher.

Type	D3-80/385-4MV(-R) 380V/220V
In accordance with	IEC61643-11:2011; UL1449 3rd
Category IEC/VDE	II/ C
Max. continuous operating voltage (AC/DC)	385/505
Nominal discharge current(8/20) In	40kA
Max. discharge current(8/20) I _{max}	80kA
Voltage protection level @In	<1.8kV
Response time	≤25 ns
Follow current	No
Backup fuse (only required if not already provided in mains)	250A gL/gG
Operating temperature range	- 40°C ~ + 80°C
Cross-section of connection wire	Single-strand 35mm ² ; multi-strand 25mm ²
Mounting	35mm DIN-rail in accordance with EN 50022/DIN46277-3
Enclosure material	thermoplastic; extinguishing degree UL94 V-0
Degree of protection	IP20
Installation width	8 modules, DIN 43880
Thermal disconnecter	Internal red - failure
Remote alarm contact	Yes
Approvals, Certifications	CE
Additional data for Remote Alarm Contacts	
Remote alarm contact type	Isolated Form C
Switching capability Un/I _n	AC: 250V/0.5A DC: 250V/0.1A; 125V/0.2A; 75V/0.5A
Max. Size of connecting wire	Max. 1.5mm ² (or # 16AWG)

Note: Subject to change without any notice.