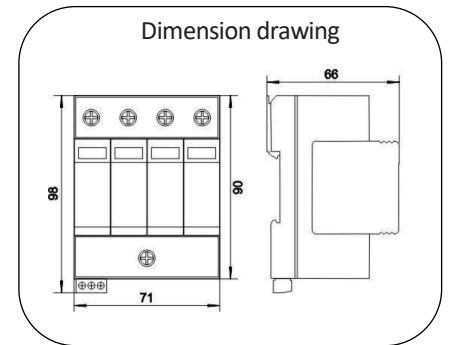
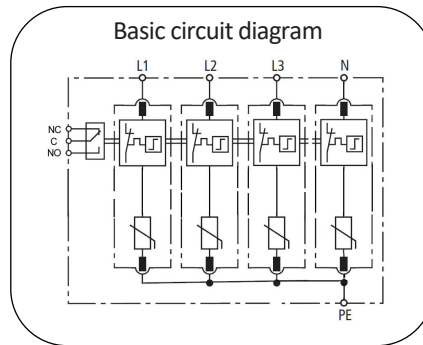


**POWER SUPPLY SYSTEMS
SURGE PROTECTIVE DEVICE – TYPE 1CA SPD**



Type 1CA surge protective device especially designed for low-voltage power supply system at the boundaries from lightning protection zone 1-2 and higher.

- Type 1CA surge protector, passed intermediate current 100A, 500A, 1000A and short circuit current rating (SCCR) 200kA without external fuse or circuit breaker.
- ETL certified surge protector according to UL1449-4th
- Pluggable design with window fault indication
- Nominal discharge current I_n 20kA 8/20 per pole, max discharge current I_{max} 50kA 8/20 per pole
- High reliability due to global patented thermally protected MOV (TPMOV) with special arc-extinguish device

Part No.	D3-50/420-4MV-R
In accordance with	UL1449-4th
Category IEC/VDE	Type1CA
Max. continuous operating voltage MCOV (VAC/VDC)	420/560
Nominal discharge current(8/20) I_n	20kA
Max. discharge current(8/20) I_{max}	50kA
Voltage protection rating @ VPR	<1.2kV
Response time	≤25 ns
Follow current	No
Backup fuse(only required if not already provided in mains)	125A gL/gG
Operating temperature range	- 40°C ~ + 80°C
Cross-section of connection wire	Single-strand 35mm ² ; multi-strand 25mm ²
Mounting	35mm DIN-rail in accordance with EN 50022/DIN46277-3
Enclosure material	thermoplastic; extinguishing degree UL94 V-0
Degree of protection	IP20
Installation width	4 modules, DIN 43880
Thermal disconnector	Internal green – normal ; red - failure
Remote alarm contact	Yes
SCCR rating	200kA
Approvals, Certifications	ETL/CE
Additional data for Remote Alarm Contacts	
Remote alarm contact type	Isolated Form C
Switching capability U_n/I_n	AC: 250V/0.5A DC: 250V/0.1A; 125V/0.2A; 75V/0.5A
Max. Size of connecting wire	Max. 1.5mm ² (or # 16AWG)