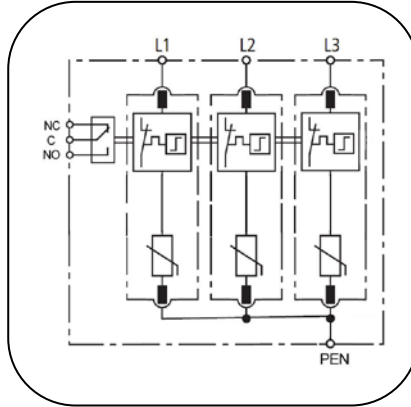


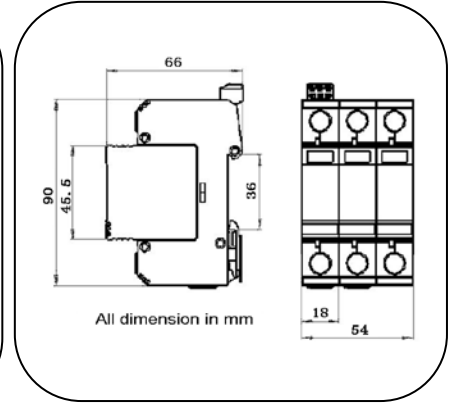


POWER SUPPLY SYSTEMS

SURGE PROTECTIVE DEVICE – TYPE 1 SPD



Basic circuit diagram



Dimension drawing

Type 1 surge protective device especially designed for low-voltage power supply system at the boundaries from lightning protection zone 1-2 and higher.

- Type 1CA SPD, passed intermediate current 100A, 500A, 1000A and short circuit current rating (SCCR) 200kA without external fuse or circuit breaker.
- ETL certified surge protector according to UL1449-4th
- Pluggable design with window fault indication
- Nominal discharge current I_n 20kA 8/20 per pole, max discharge current I_{max} 50kA 8/20 per pole
- High reliability due to global patented thermally protected MOV (TMOV) with special arc-extinguish device

Part No.	D3-50/150-3MV-R	D3-50/180-3MV-R	D3-50/250-3MV-R	D3-50/275-3MV-R	D3-50/320-3MV-R	D3-50/420-3MV-R	D3-50/510-3MV-R	D3-50/550-3MV-R
In accordance with	UL1449-4th							
Category IEC/VDE	Type1CA							
Max. continuous operating voltage MCOV (VAC/VDC)	150/200	180/240	250/330	275/370	320/420	420/560	510/670	550/710
Nominal discharge current(8/20) I_n	20kA							
Max. discharge current(8/20) I_{max}	50kA							
Voltage protection rating @ VPR	≤0.7kV	≤0.7kV	≤1.0kV	≤1.0kV	≤1.0kV	≤1.2kV	≤1.5kV	≤1.5kV
Response time	≤25 ns							
Follow current	No							
Backup fuse(only required if not already provided in mains)	125A gL/gG							
Operating temperature range	- 40°C ~ + 80°C							
Cross-section of connection wire	Single-strand 35mm ² ; multi-strand 25mm ²							
Mounting	35mm DIN-rail in accordance with EN 50022/DIN46277-3							
Enclosure material	thermoplastic; extinguishing degree UL94 V-0							
Degree of protection	IP20							
Installation width	3 modules, DIN 43880							
Thermal disconnect	Internal green – normal ; red - failure							
Remote alarm contact	Yes							
SCCR rating	200kA							
Approvals, Certifications	ETL/CE							
Additional data for Remote Alarm Contacts								
Remote alarm contact type	Isolated Form C							
Switching capability I_n/I_n	AC: 250V/0.5A DC: 250V/0.1A; 125V/0.2A; 75V/0.5A							
Max. Size of connecting wire	Max. 1.5mm ² (or # 16AWG)							