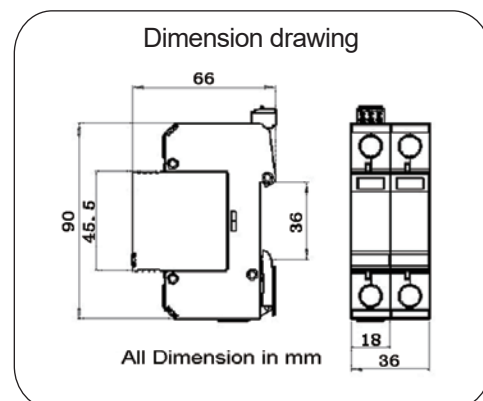
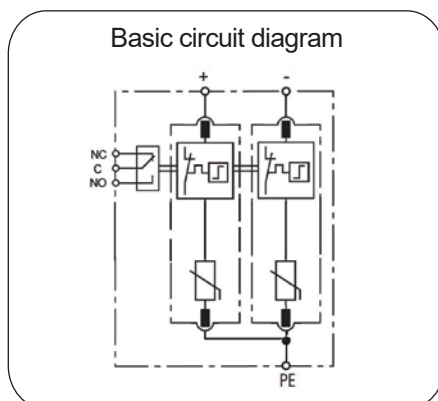


PV40/xx-MVCR



Type 2 surge arrester designed for low voltage DC system against surges at the boundaries from lightning protection zone 0B-2 and higher.

- ⊙ In accordance with EN50539, IEC61643-11 and UL1449-4th
- ⊙ DC SPD for common mode protection
- ⊙ Pluggable module design, easy replacement
- ⊙ High discharge current 40kA 8/20
- ⊙ Reliable supervision due to disconnection device
- ⊙ Fault indication by red indication flag in window
- ⊙ With remote alarm terminal optional

| Part No. | | PV40/48-MVCR | PV40/60-MVCR | PV40/100-MVCR |
|--------------------------------------------------|------|------------------------------------------------------------------|--------------|---------------|
| In accordance with | | EN50539; IEC61643-11:2011; UL1449-4th | | |
| Category IEC/VDE | | II/ C | | |
| Protection Mode | | Common mode | | |
| Nominal voltage (Vdc) | Un | 48VDC | 60VDC | 100VDC |
| Max. continuous operating voltage | Ucpv | 75VDC | 100VDC | 150VDC |
| Nominal discharge current(8/20us) | In | 20kA | | |
| Max. discharge current(8/20us) | Imax | 40kA | | |
| Voltage protection level | Up | <350V | <500V | <700V |
| Short-circuit current rating(Iscpv) | | 1000A | | |
| Response time | | ≤ 25 ns | | |
| Follow current | | No | | |
| Backup fuse(only required if not already) | | 125A gR/gPV | | |
| Operating temperature range | | - 40°C ~ + 80°C | | |
| Cross-section of connection wire | | Single-strand 35mm ² ; multi-strand 25mm ² | | |
| Mounting | | 35mm DIN-rail in accordance with EN 50022/DIN46277-3 | | |
| Enclosure material | | thermoplastic; extinguishing degree UL94 V0 | | |
| Degree of protection | | IP20 | | |
| Installation width | | 2 modules, DIN 43880 | | |
| Thermal disconnect | | Internal green – normal ; red - failure | | |
| Remote alarm contact | | Yes | | |
| Approvals, Certifications | | CE | | |
| Additional data for Remote Alarm Contacts | | | | |
| Remote alarm contact type | | Isolated Form C | | |
| Switching capability Un/In | | AC: 250V/0.5A DC: 250V/0.1A; 125V/0.2A; 75V/0.5A | | |
| Max. Size of connecting wire | | Max. 1.5mm ² (or # 16AWG) | | |

Note: Subject to change without any notice.