



# RSD-S-PLC

- Meets NEC 2017, 2020&2023 (690.12) requirements
- Executes rapid shutdown of system when Transmitter-PLC signal is absent
- Meets SunSpec requirements



The RSD-S-PLC meets SunSpec requirements, maintaining normal function by continually receiving a heartbeat signal from the APsmart Transmitter. The RSD executes rapid system shutdown when the Transmitter signal is absent. Users can manually execute rapid shutdown using Transmitter breaker switch.\*<sup>(1)(2)</sup>

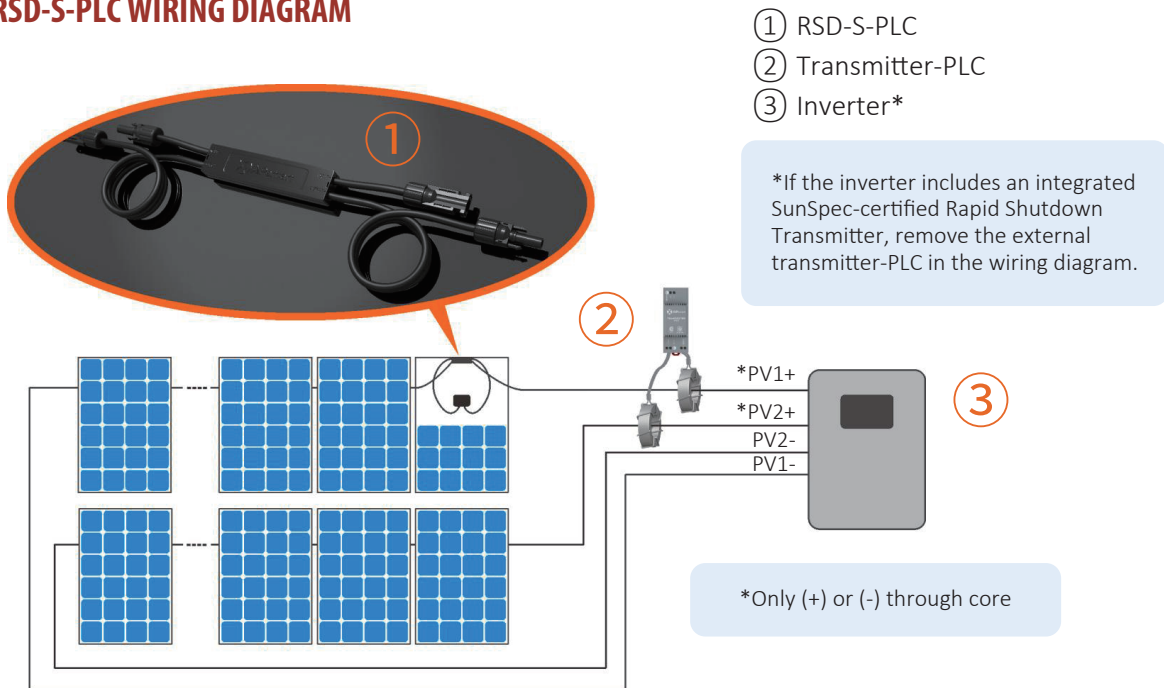
## ◆ RSD-S-PLC TECHNICAL DATA

MODEL	RSD-S-PLC
<b>INPUT DATA (DC)</b>	
Range of Input Operating Voltage	8-80V
Maximum Cont. Input Current (I <sub>max</sub> )	15A
Maximum Short Circuit Current (I <sub>sc</sub> )	25A
<b>OUTPUT DATA (DC)</b>	
Range of Output Operating Voltage	8-80V
Maximum Cont. Output Current	1000V/1500V
Maximum System Voltage	1000V/1500V
Maximum Series Fuse Rating	30A
<b>MECHANICAL DATA</b>	
Operating Ambient Temperature Range	-40°F to +185°F (-40°C to + 85°C)
Dimensions (without cable & connectors)	5.5" x 1.3" x 0.7"(140 mm x 32 mm x 18 mm)
Cable Length	Input 250mm/Output 1200mm
Cable Cross Section Size	UL:12AWG
Connector	Input: Stäubli MC4 PV-KBT4&KST4 or Customized Output: APsystems specified or Customized
Enclosure Rating	NEMA Type 6P/IP68
Protection Temperature	100°C
<b>FEATURES &amp; COMPLIANCE</b>	
Communication Compliance	PLC
Safety Compliance	NEC 2017, 2020&2023 (690.12); UL1741; CSA C22.2 No. 330-17; IEC/EN62109-1; 2PFG2305
EMC Compliance	FCC Part15; ICES-003; IEC/EN61000-6-1/-2/-3/-4

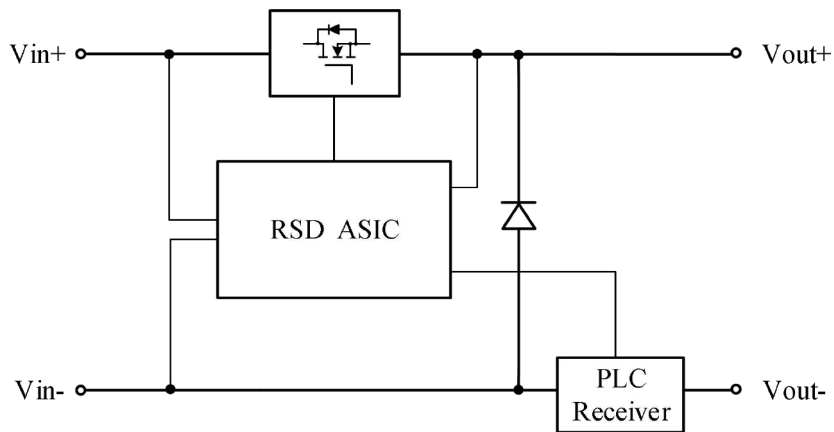
\*<sup>(1)</sup> RSD-S-PLC does not have automatic shutdown function for arc detection. When the system is abnormal, the transmitter signal is cut off by pulling the gate, which triggers shutdown.

\*<sup>(2)</sup> RSD-S-PLC is designed to reduce the risk of fire suppression but does not solve the risk of a arc fire.

### ◆ RSD-S-PLC WIRING DIAGRAM



### ◆ WORKING SCHEMATIC DIAGRAM



#### ORDERING INFORMATION

415002	1500V UL, 1.2m cable, Stäubli MC4 PV-KBT4&KST4
415001	1000V UL, 1.2m cable, Customized connector