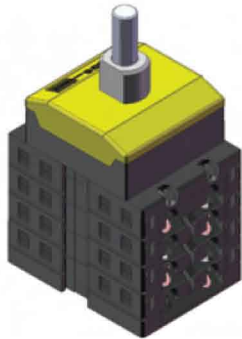
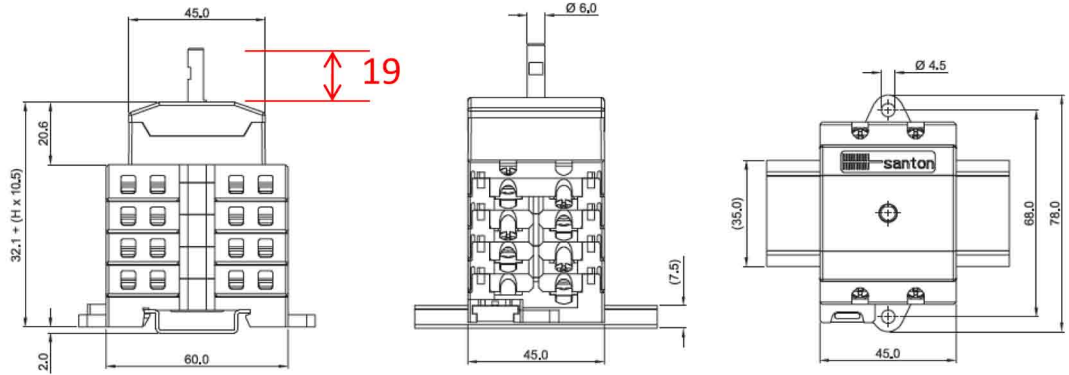
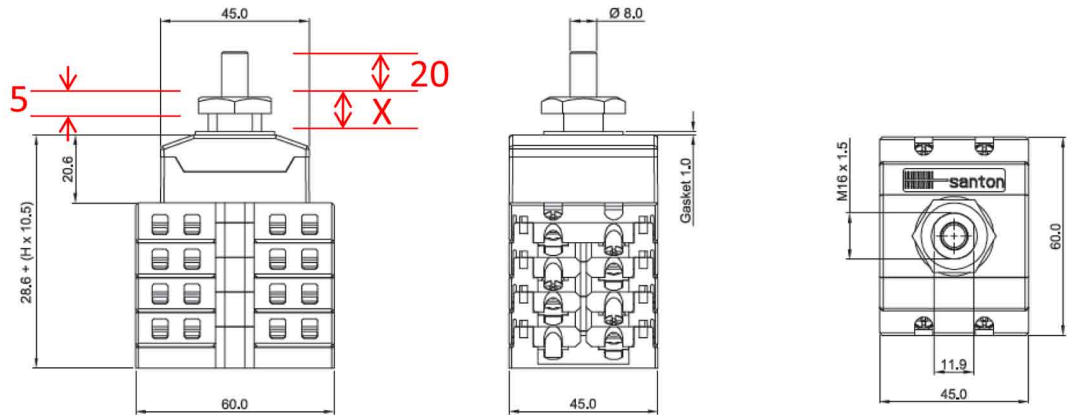


Din Rail Type [B]



Single Hole Mounting [P]



X= 8,5mm for front panels 1-3mm

X= 12mm for front panels 3-6mm (l in type number)