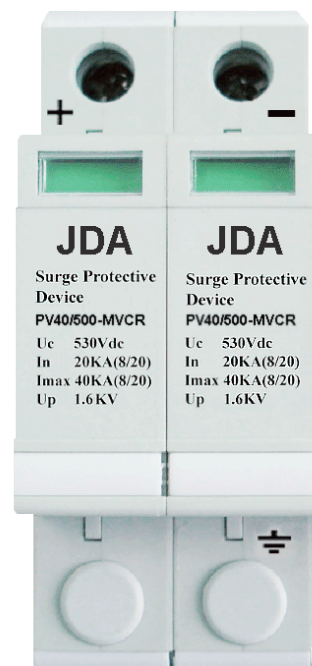


DC Surge Protective Devices for Photo-Voltaic protection(PV Industry) Type PV 40/500-MVCR

Common mode DC Surge arrester for
Photovoltaic protection against surges at the boundaries
from lightning protection zone 0B-1 and higher.

DC Surge Protective Device for PV

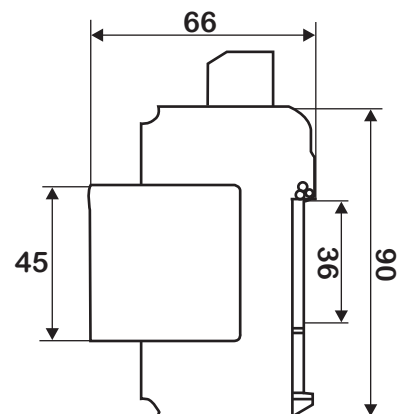
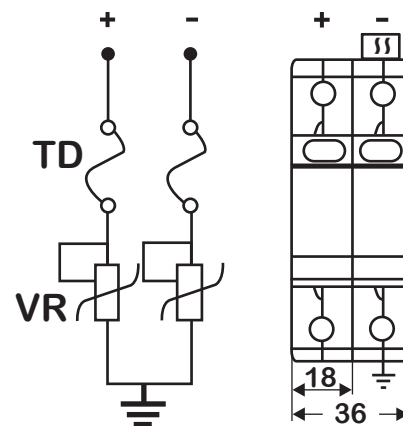
- Class II (C) DC arrester in according with IEC61643-1:2005.
- Two part design consisting of base and plug-in protection module.
- Common protection mode.
- High energy MOV (Metal Oxide Varistor) inside.
- Reliable supervision due to disconnection device.
- Fault indication by red indication flag in window.
- Fast response.
- With remote alarm terminal.



Characteristics

| Type | PV 40 / 500 - MVCR |
|-------------------------------------------------------------|------------------------------------------------------------------|
| In accordance with | IEC61643-1:2005; UL1449 ed.3 |
| Category IEC/VDE | II/C |
| Protection Mode | Common mode |
| Nominal Voltage (DC) | 500VDC |
| Max. continuous operating voltage (DC) | 530VDC |
| Nominal discharge current (8/20) In | 20KA |
| Max. discharge current(8/20) Imax | 40KA |
| Voltage protection level @ In | 1.6KV |
| VPR at 6KV/3KA | <2KV |
| Response time | ≤25 ns |
| Backup fuse(only required if not already provided in mains) | 125A gL/gG |
| Operating temperature range | - 40°C + 80°C |
| Cross-section of connection wire | Single-strand 35mm ² ; multi-strand 25mm ² |
| Mounting | 35mm DIN-rail in accordance with EN 50022/DIN46277-3 |
| Enclosure material | thermoplastic; extinguishing degree UL94 V-0 |
| Degree of protection | IP20 |
| Installation width | 2 module, DIN 43880 |
| Thermal disconnector | Internal green – normal red - failure |
| Remote alarm contact | Yes |
| Additional data for Remote Alarm Contacts | |
| Remote alarm contact type | floating changeover contact |
| Switching capability UN/IN | AC: 250V/0.5A DC: 250V/0.1A; 125V/0.2A; 75V/0.5A |
| Cross-section of connection wire | Max. 1.5mm ² |

Dimensions and Diagram



All dimension in mm

Note: Subject to change without any notice.