

Transmitter EC 34/35

State-of-the-art monitoring of
Oxygen and Toxic Gases

OX



AutoCal for easy Automatic Calibration
SMART Sensor Technology
Output 4 to 20 mA Linear
With large 4 digit LCD display option
Low Cross Sensitivity Sensors
Ex-proof Housing UL and CENELEC

TOX

Worldwide Supplier of Gas Detection Solutions



Stationary Monitoring of Oxygen and Toxic Gases

One-man Auto Calibration

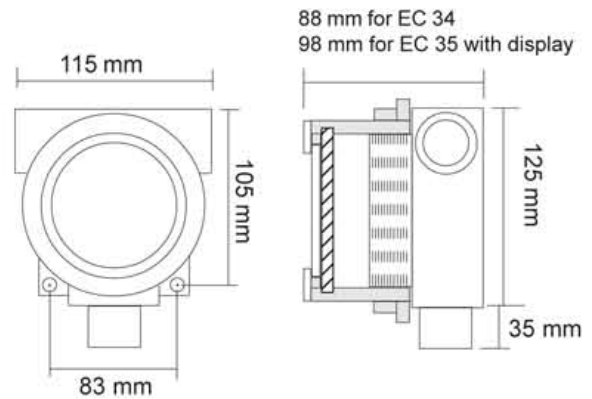
Simply press a button, the SMART microprocessor will automatically recognize the data inside the SMART sensor, and auto-calibrate itself, without any trimmers.

Off-site Sensor Calibration

All GfG SMART sensors are pre-calibrated in our lab, and simply install any SMART sensor with no further calibration required. Calibration data automatically uploads to the transmitter to ensure precise calibration.

Rapid Warm-up

Ready to calibrate after power applied. Does not require bias voltage to stay ready; no need to wait for hours for stabilization.



EC 34 / EC 35 Series Technical Data

General

Gas

Oxygen
Toxic Gases (refer to Toxic Gas List), including CO, H₂S, SO₂, NO, NO₂, H₂, HCl, HCN, NH₃, Cl₂ in ppm, and many other gases upon request.

Ranges

Oxygen 0 ... 30 % Vol
O₂ 0 ... 500, 2000 ppm
H₂S 0 ... 200, 1000 ppm
SO₂ 0 ... 50, 500 ppm
NO 0 ... 300, 1500 ppm
NO₂ 0 ... 50, 200 ppm
H₂ 0 ... 2000 ppm,
1 % Vol, 4 % Vol
HCl 0 ... 200 ppm
HCN 0 ... 50, 200 ppm
NH₃ 0 ... 200 ppm
Cl₂ 0 ... 50, 250 ppm
Other Toxic Gas, refer to Toxic Gas List.

Gas Supply

Diffusion

Fast Response Time

T₉₀ < 8 seconds (depending on gas)

Expected Sensor Life

Approx 3 years

Environmental Conditions

Temperature : - 15 to +45 deg C.
Humidity : 10 to 96% RH
Pressure : 700 to 1300 hPa
/ mbar

Signal Connection to Controller

2 shielded wire
18 AWG; < 1000 ft

EC 34 / EC 35

Output Signal

4 ... 20 mA Linear

Power Supply

18 to 24 V dc, Less than 25 mA

Housing

Aluminium Explosion proof

Housing Approval

UL Class I, Groups B, C, D.
CENELEC EEx d IIC T4 ;
EN 50014; EN 50018 ;
NEMA 4 X ; IP 66

Physical Measurements

Weight 1587 gm
Dimension 115 x 125 x 95(mm)

Display

Digital LCD and LED (EC 35 only)

Calibration

Potentiometer (EC 34)
Microprocessor based-Auto Zero; Auto Cal
(EC 35 only)



GfG Asia Pacific Pte Ltd

315 Outram Road, Unit 10-02B
Tan Boon Liat Building
Singapore 169 074.
Tel: +65-6227 4346 ; Fax: +65-6227 4347
Email: ccchek@pacific.net.sg