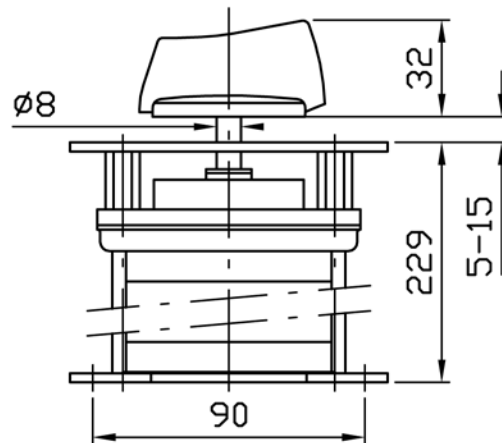
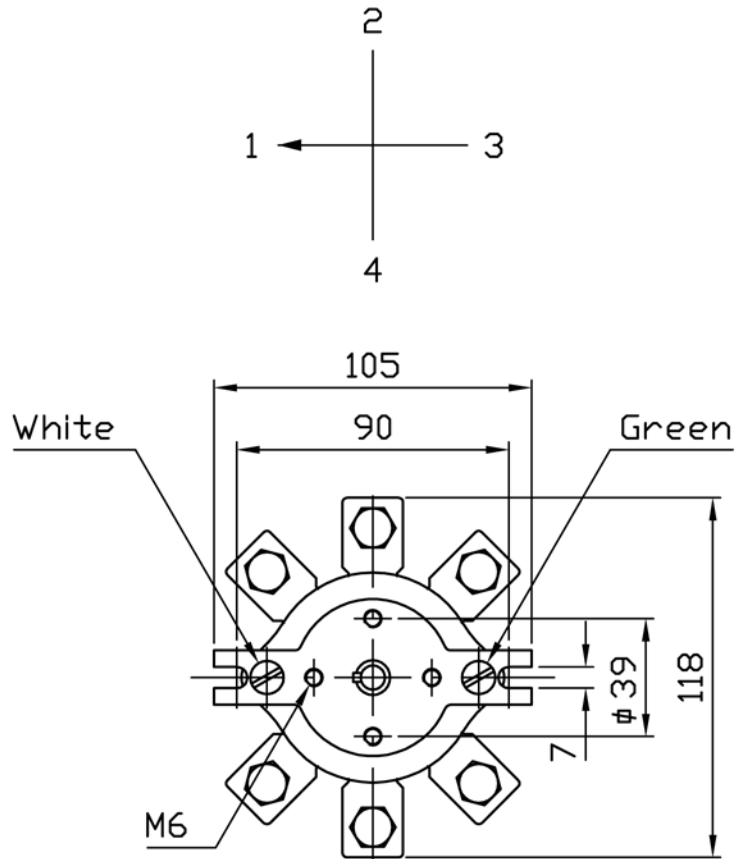


POSITION OF HANDLE

1	OFF
2	1-A
	2-B
3	OFF
4	1-A
	2-B



Ith	Ie	Ue
250A		
	200A	1000V DC21

B		C.Z.	20-01-2009	
A		C.Z.	06-07-2006	
Rev.		Drn by	Date	App. by

SANTON TYPENR. C 20H219/50A0246

Drn by : C.Z.	Date : 28-3-2000	App. by :
JD Auspice Co.,Ltd. TEL: 886-2-2595-9780 FAX: 886-2-2595-9412 service@jdauspice.com www.jdauspice.com		Computer nr. 50A0246