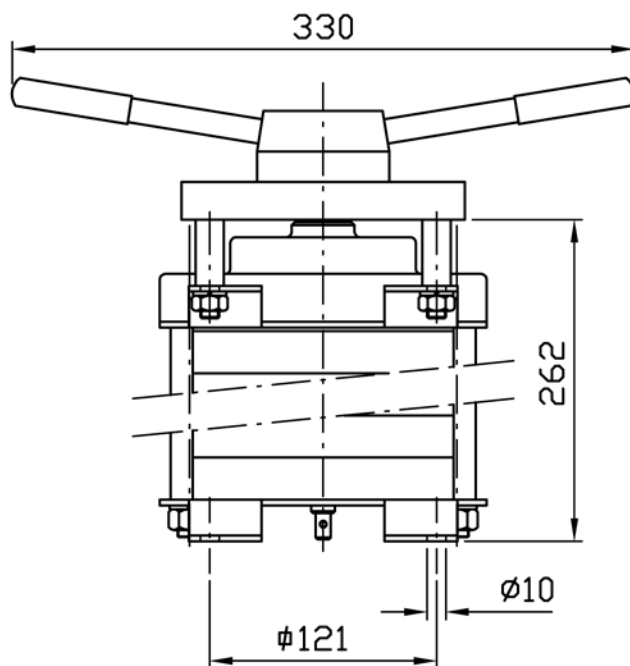
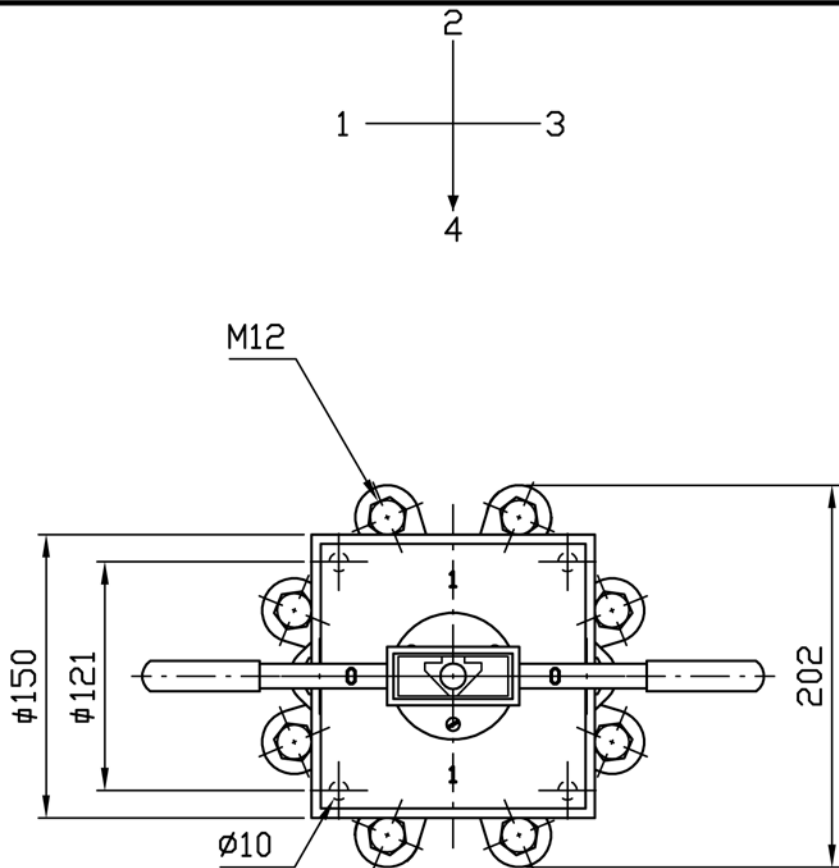


POSITION OF HANDLE	1	OFF	
		2	1-A
			2-B
	3	OFF	
		4	1-A
			2-B



Ith	Ie	Ue
350A		
	350A	1000V DC21

B				
A		C.Z.	18-12-2008	
Rev.		Drn by	Date	App. by

SANTON TYPENR. C 3028/50A0492 (FRONTPLATE OPTIONAL)

Drn by : C.Z.	Date : 28-06-2006	App. by :
JD Auspice Co.,Ltd. TEL: 886-2-2595-9780 FAX: 886-2-2595-9412 service@jdauspice.com www.jdauspice.com		Computer nr. 50A0492