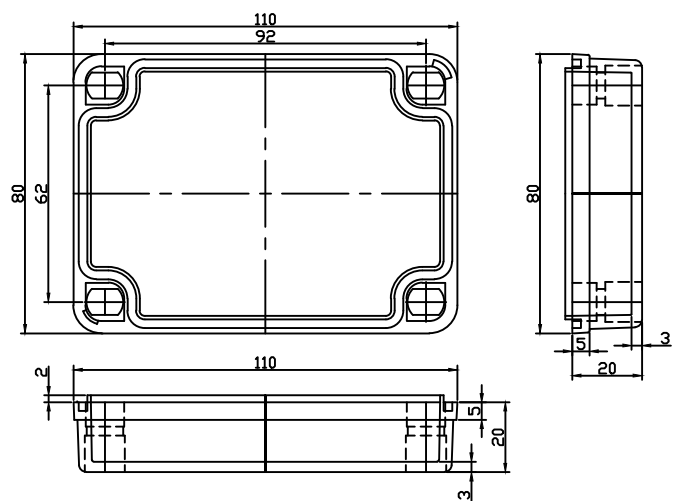


REV	DATE	BY	CHK	APP	QTY
001					
BC-061187 BODY					
DWG					



REV	DATE	BY	CHK	APP	QTY
001					
BC-061187 COVER					
DWG					